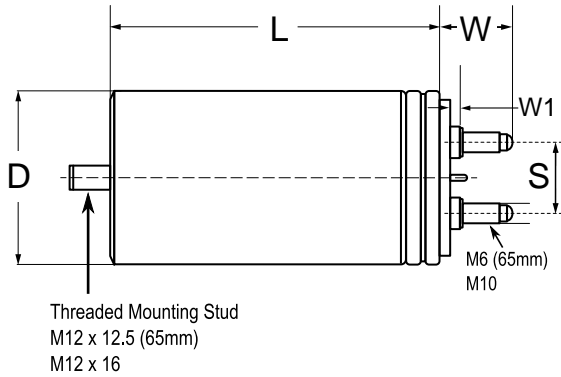


C44H, Film, Metallized Polypropylene, AC Filter, 250 uF, 5%, 440 VAC, 1000 VDC



General Information	
Supplier:	KEMET
Series:	C44H
Dielectric:	Metallized Polypropylene
Style:	Can
Features:	Single Phase PFC
RoHS:	Yes
Lead:	Fast On (2+2)
Miscellaneous:	Thermal Resistance = 2.8 C/W. Surge Voltage = 1500 VDC

Dimensions	
D	85mm +/-0.5mm
L	242mm +/-2mm
S	35mm +/-1mm

Packaging Specifications	
Mounting:	Bolt - M12x16
Packaging:	Bulk, Bag
Packaging Quantity:	5

Specifications	
Capacitance:	250 uF
Capacitance Tolerance:	5%
Voltage AC:	440 VAC
Voltage DC:	1000 VDC
Temperature Range:	-25/+70C
Rated Temperature:	70°C
Max dV/dt:	20 V/us
Resistance:	2.4 mOhms
Ripple Current:	55 Amps (RMS)
Inductance:	190 nH