



### Model Number

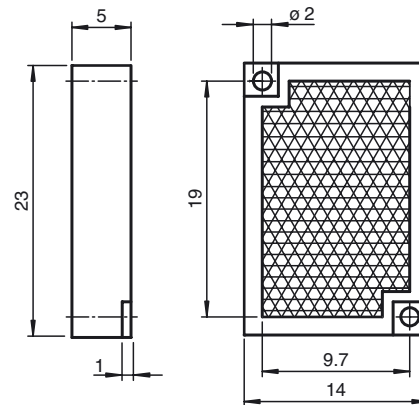
#### REF-MH23

Reflector with Micro-structure, rectangular 23 mm x 13.8 mm, diagonal mounting hole

### Features

- Mounting holes for simple installation
- Micro-structure

### Dimensions



### Technical data

#### General specifications

Construction type	rectangular
Tripel height	approx. 0.9 mm

#### Ambient conditions

Ambient temperature	-20 ... 85 °C (-4 ... 185 °F)
---------------------	-------------------------------

#### Mechanical specifications

Material	PMMA/ABS
Dimensions	23 mm x 14 mm x 5 mm
Mounting	mounting holes