

**PLEASE CHECK WWW.MOLEX.COM FOR LATEST PART INFORMATION**

**Part Number:** [52991-0708](#)  
**Status:** **Active**  
**Overview:** SlimStack™ 0.50mm Pitch Board-to-Board Connectors  
**Description:** 0.50mm Pitch SlimStack™ Receptacle, Surface Mount, Dual Row, Vertical, 3.00 and 4.00mm Stacking Heights, Lower Circuit Size Version, White, 70 Circuits

**Documents:**

[3D Model](#) [Packaging Specification SPK-52991-001 \(PDF\)](#)  
[Drawing \(PDF\)](#) [RoHS Certificate of Compliance \(PDF\)](#)  
[Product Specification PS-52991-003 \(PDF\)](#)

**General**

|                |   |
|----------------|---|
| Product Family | PCB Receptacles   |
| Series         | <a href="#">52991</a>   |
| Application    | Board-to-Board, Signal  |
| Overview       | <a href="#">SlimStack™ 0.50mm Pitch Board-to-Board Connectors</a> |
| Product Name   | SlimStack™  |
| UPC            | 800754364508  |

**Physical**

|                                |                       |
|--------------------------------|-----------------------|
| Circuits (Loaded)              | 70                    |
| Circuits (maximum)             | 70                    |
| Glow-Wire Compliant            | No                    |
| Mated Height                   | 3.00mm, 4.00mm        |
| Material - Plating Mating      | Gold                  |
| Material - Plating Termination | Gold                  |
| Net Weight                     | 262.101/mg            |
| Number of Rows                 | 2                     |
| Orientation                    | Vertical              |
| PCB Locator                    | No                    |
| PCB Retention                  | None                  |
| PCB Thickness - Recommended    | 1.60mm                |
| Packaging Type                 | Embossed Tape on Reel |
| Pitch - Mating Interface       | 0.50mm                |
| Plating min - Mating           | 0.102µm               |
| Plating min - Termination      | 0.254µm               |
| Polarized to PCB               | No                    |
| Surface Mount Compatible (SMC) | N/A                   |
| Temperature Range - Operating  | -40°C to +105°C       |
| Termination Interface: Style   | Surface Mount         |

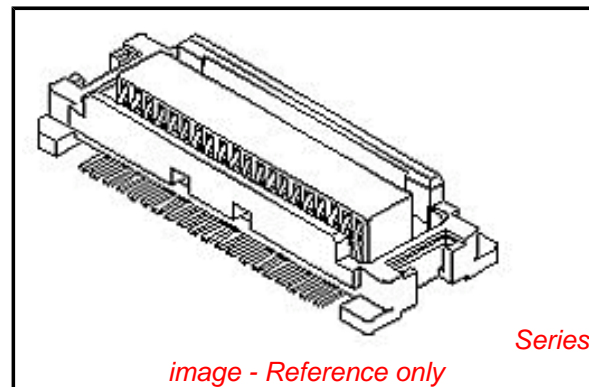
**Electrical**

|                               |      |
|-------------------------------|------|
| Current - Maximum per Contact | 0.5A |
| Voltage - Maximum             | 50V  |

**Material Info**

**Reference - Drawing Numbers**

|                         |   |
|-------------------------|---|
| Packaging Specification | SPK-52991-001   |
| Product Specification   | PS-52991-003, RPS-52991-012, RPS-52991-013, RPS-52991-017, RPS-52991-019, RPS-54167-009 |
| Sales Drawing           | SD-52991-004, SD-52991-005  |



**EU RoHS**

**ELV and RoHS Compliant**  
**REACH SVHC Contains SVHC: No**  
**Low-Halogen Status Low-Halogen**

**China RoHS**



**Need more information on product environmental compliance?**

Email [productcompliance@molex.com](mailto:productcompliance@molex.com)  
 For a multiple part number RoHS Certificate of Compliance, [click here](#)

Please visit the [Contact Us](#) section for any non-product compliance questions.

**Search Parts in this Series**

[52991Series](#)

**Mates With**

Board-to-Board SlimStack™ Plug [53748](#) , [53916](#) , [501920](#)