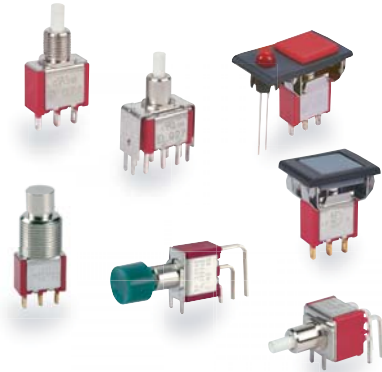


# 7M Series

Snap-Acting Pushbutton Switches



## SPECIFICATIONS

**CONTACT RATING:** Dependent upon contact material  
see page 107.

**MECHANICAL LIFE:** 50,000 make-and-break cycles.

**CONTACT RESISTANCE:** 20mΩ max. initial @ 2-4VDC  
100mA for both silver and gold plated contacts.

**INSULATION RESISTANCE:** 1,000MΩ min.

**DIELECTRIC STRENGTH:** 1,000 Vrms min. @ sea level.

**OPERATING TEMPERATURE:** -40°C to 85°C.

## MATERIALS

**CASE:** Diallyl phthalate(DAP) (UL94V-0).

**PLUNGER:** Glass filled Nylon or Glass filled polyester.(PBT)

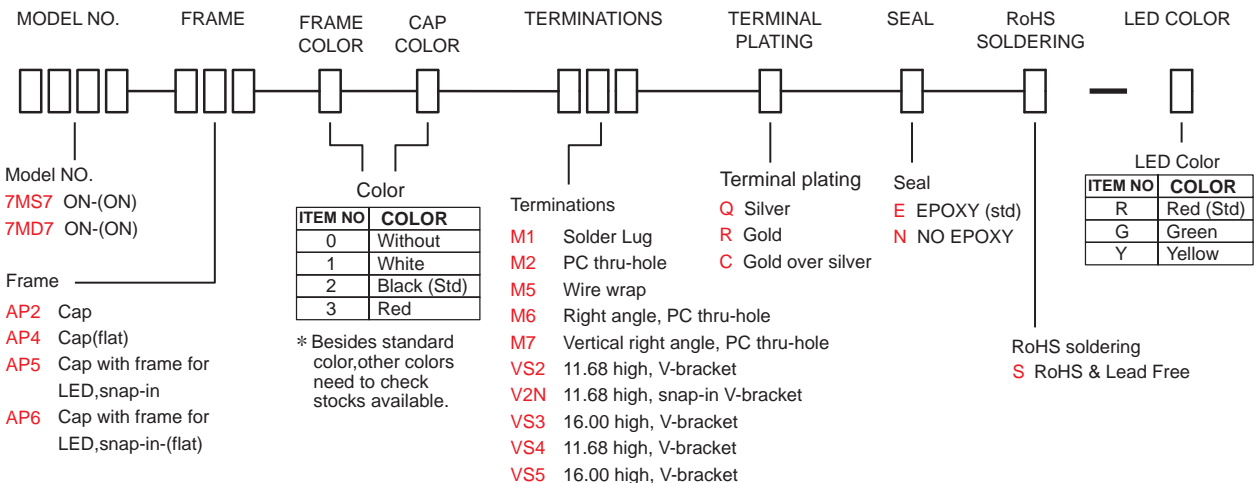
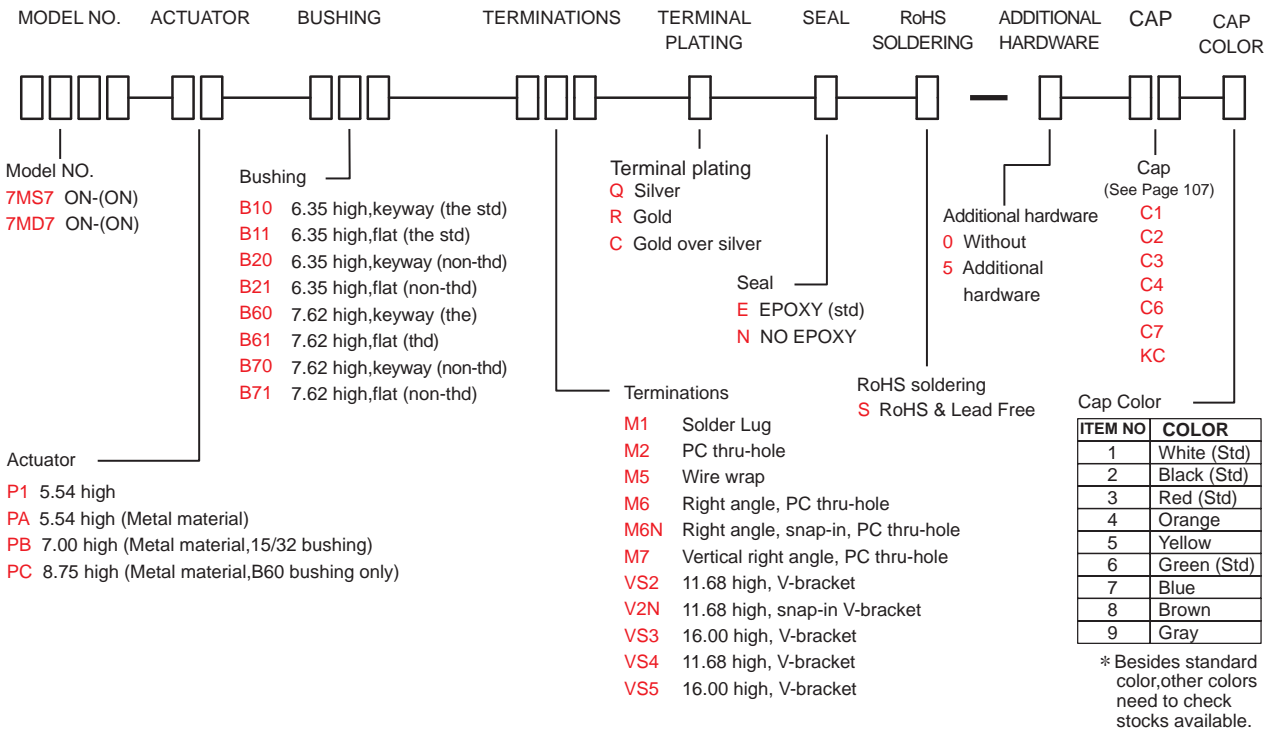
**BUSHING:** Brass,nickel plated.

**HOUSING:** Stainless Steel.

**CONTACT:** Brass or Copper alloy, silver or gold plated.

※7MSL/7MDL with gold over silver for plating  
(See Page 107)

## HOW TO ORDER



7M Pushbutton Switches

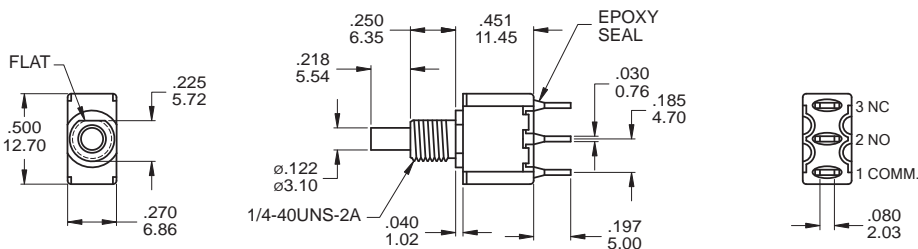
### SWITCH FUNCTION

NO. POLES	UL/CSA MODEL NO.	MODEL NO.	SWITCH FUNCTION		CONNECTED TERMINALS / SCHEMATIC	
			POS.1	POS.2	POS.1	POS.2
SP	Q2717	7MS7	ON	(ON)	1-3 	1-2 
DP	Q2727	7MD7	ON	(ON)	1-3,4-6 	1-2,4-5 

( ) = MOMENTARY

### POLE OPTIONS

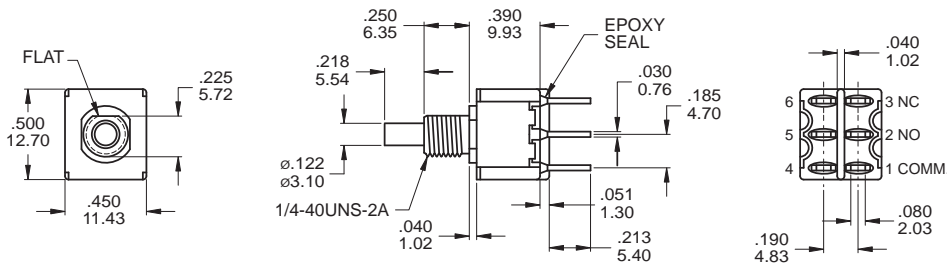
#### M1



#### SPDT

Part No. Shown : 7MS7P1B11M1QES

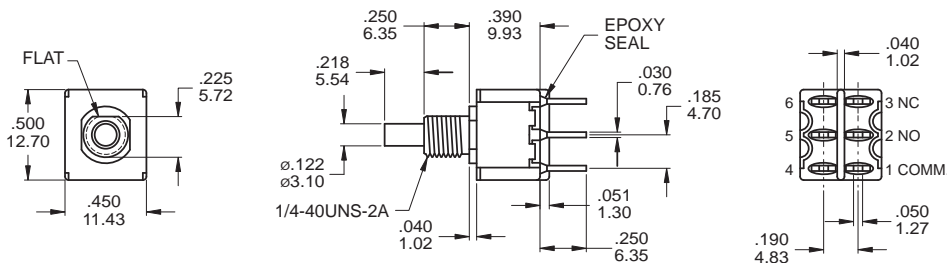
#### M1



#### DPDT

Part No. Shown : 7MD7P1B11M1QES

#### M2



#### DPDT

Part No. Shown : 7MD7P1B11M2RES

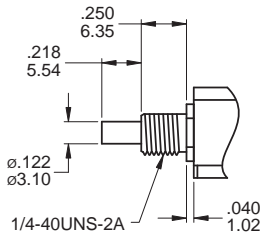


# 7M Series

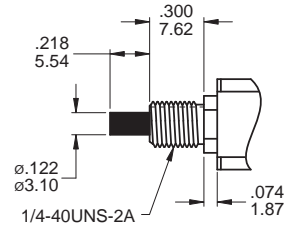
Snap-Acting Pushbutton Switches

## ACTUATOR OPTIONS

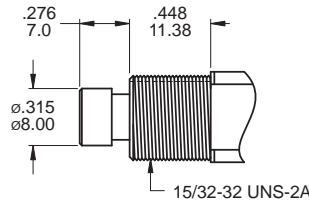
**P1**



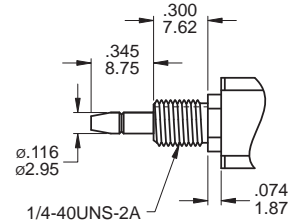
**PAB60** handle, metal material



**PBB13** handle, metal material



**PCB60** handle, metal material

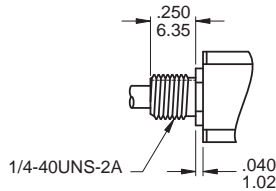
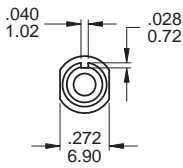


Use with B13 bushing only

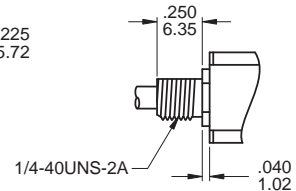
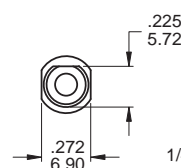
Use with B60 bushing std  
\* PC Actuator only for KC Cap

## BUSHING OPTIONS

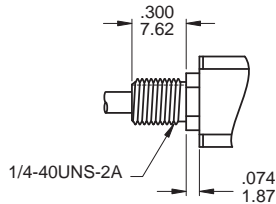
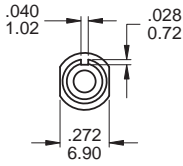
**B10** THD STD  
**B20** NON-THD



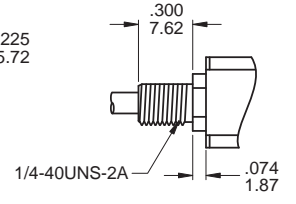
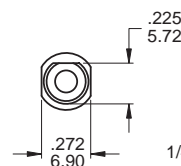
**B11** THD STD  
**B21** NON-THD



**B60** THD  
**B70** NON-THD

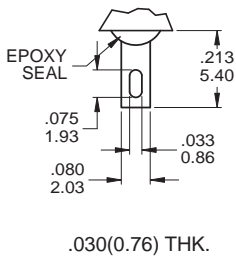


**B61** THD  
**B71** NON-THD

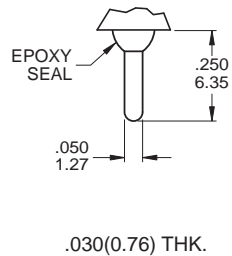


## TERMINATION OPTIONS

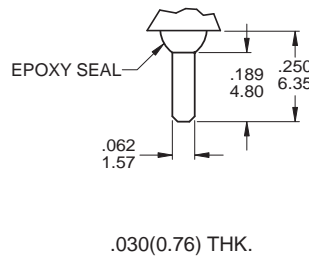
**M1** Solder lug



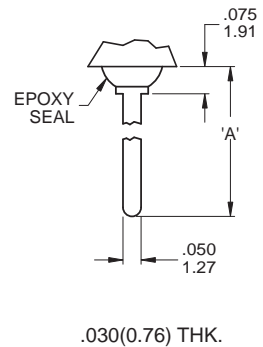
**M2** PC Thru-hole



**M3** Quick connect



**M5** Wire Wrap



## OTHER TERMINATION OPTIONS

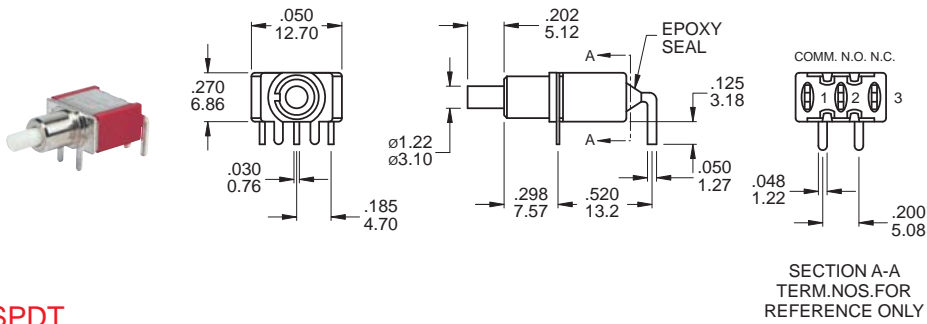
- M6** Right angle P.C. Mount
- M7** Right angle P.C. Mount
- VS2** Vertical bracket P.C. Mount
- VS3** Vertical bracket P.C. Mount
- VS4** Vertical bracket P.C. Mount
- VS5** Vertical bracket P.C. Mount

- M6N** Right angle P.C. Mount Snap-in bracket
- V2N** Vertical bracket P.C. Mount Snap-in bracket

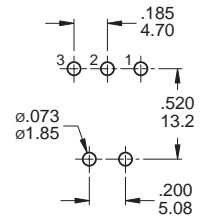
OPTION CODE	DIM. 'A'
M51	.750 (19.50)
M52	.964 (24.48)
M53	.426 (10.80)
M54	.650 (16.50)

7M Pushbutton Switches

## M6



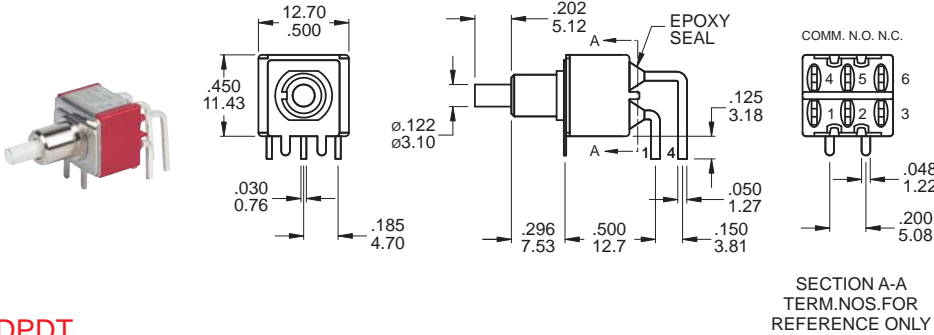
### P.C. MOUNTING



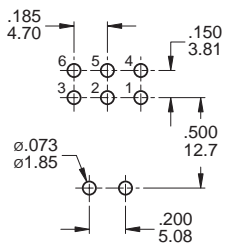
## SPDT

Part No. Shown : 7MS7P1B20M6QES

## M6



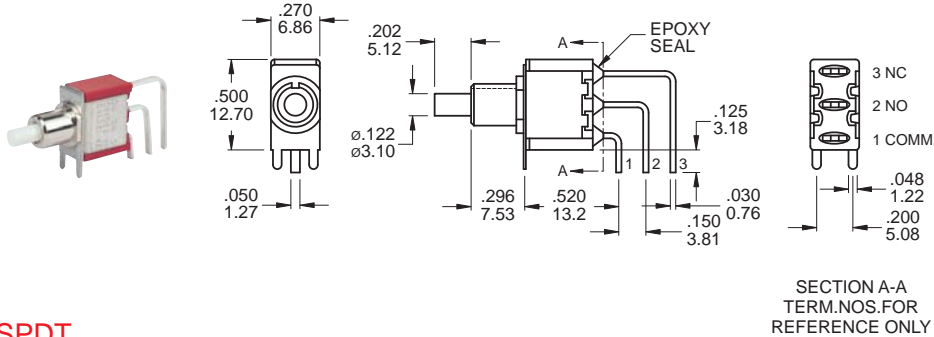
### P.C. MOUNTING



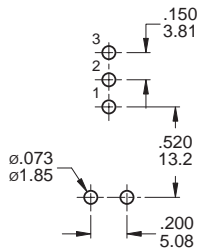
## DPDT

Part No. Shown : 7MD7P1B20M6QES

## M7



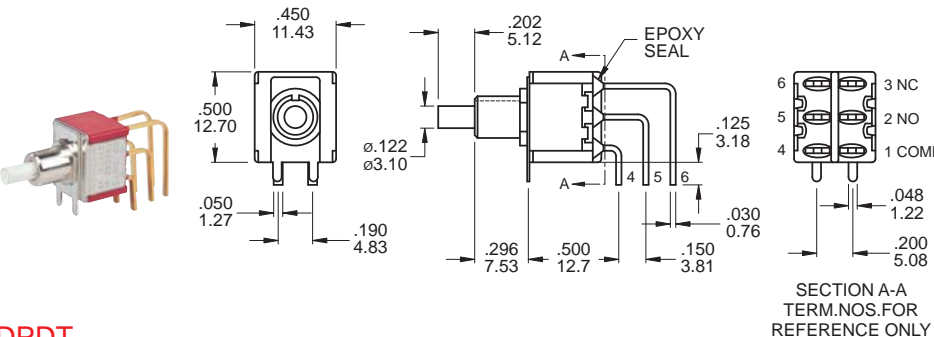
### P.C. MOUNTING



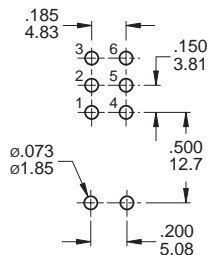
## SPDT

Part No. Shown : 7MS7P1B20M7QES

## M7



### P.C. MOUNTING



## DPDT

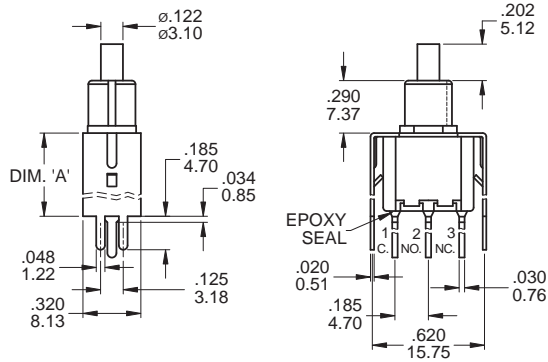
Part No. Shown : 7MD7P1B20M7RES



# 7M Series

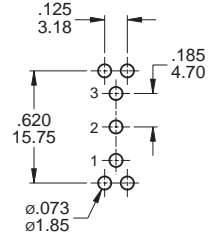
Snap-Acting Pushbutton Switches

## VS2 - VS3



OPTION CODE	DIM. 'A'
VS2	.460 11.68
VS3	.630 16.00

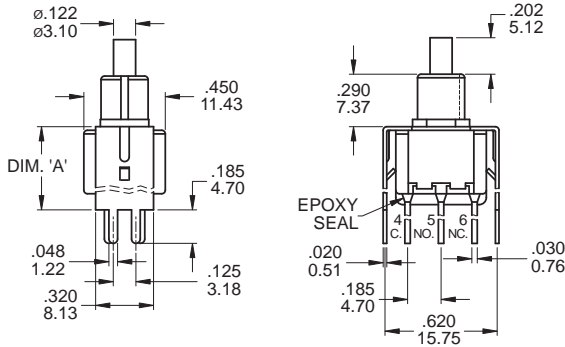
### P.C. MOUNTING



## SPDT

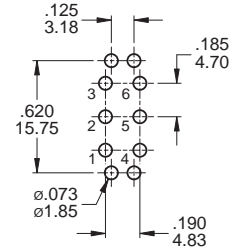
Part No. Shown : 7MS7P1B20VS2RES

## VS2 - VS3



OPTION CODE	DIM. 'A'
VS2	.460 11.68
VS3	.630 16.00

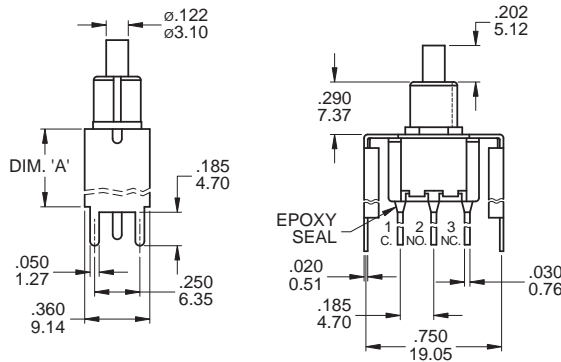
### P.C. MOUNTING



## DPDT

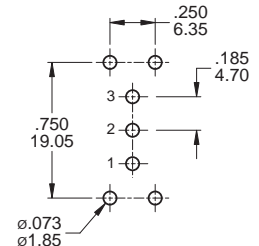
Part No. Shown : 7MD7P1B20VS2QES

## VS4 - VS5



OPTION CODE	DIM. 'A'
VS4	.460 11.68
VS5	.630 16.00

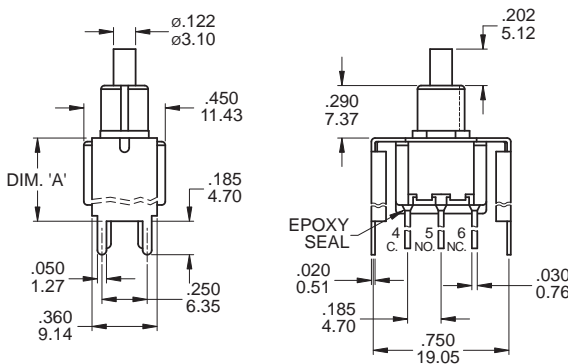
### P.C. MOUNTING



## SPDT

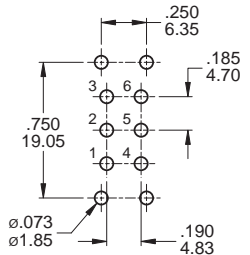
Part No. Shown : 7MS7P1B20VS4QES

## VS4 - VS5



OPTION CODE	DIM. 'A'
VS4	.460 11.68
VS5	.630 16.00

### P.C. MOUNTING

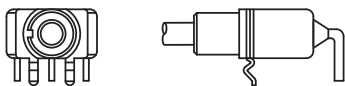


## DPDT

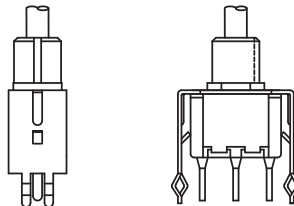
Part No. Shown : 7MD7P1B20VS4QES

### SNAP-IN TERMINATION OPTIONS

M6N

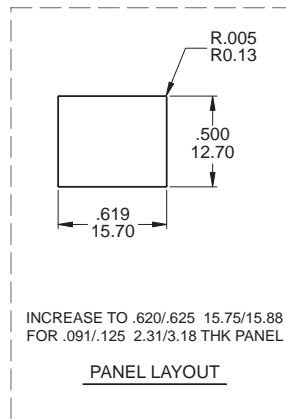
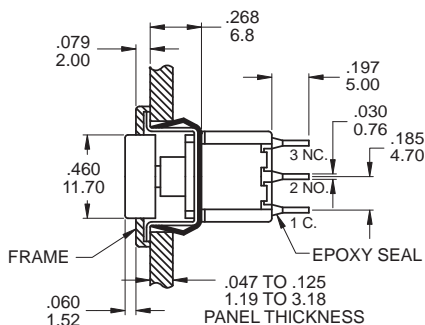
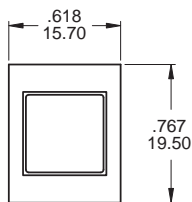


V2N



### PANEL MOUNTING

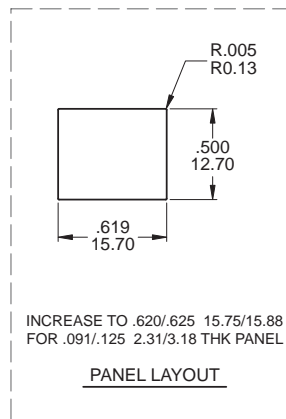
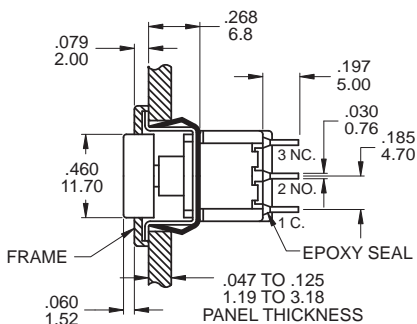
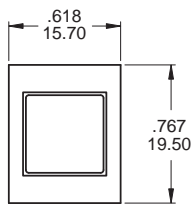
#### AP2 CAP & FRAME



SPDT

Part No. Shown : 7MS7AP223M1QES

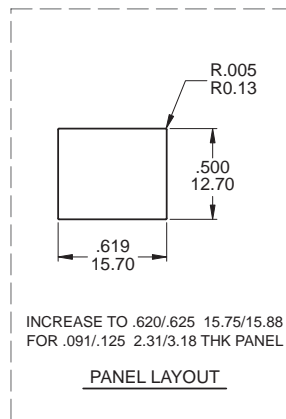
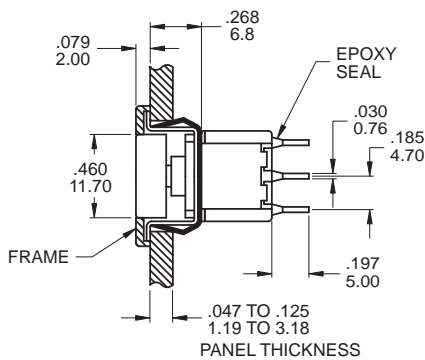
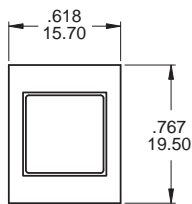
#### AP2 CAP & FRAME



DPDT

Part No. Shown : 7MD7AP223M1QES

#### AP4 CAP & FRAME



SPDT

Part No. Shown : 7MS7AP429M1RES



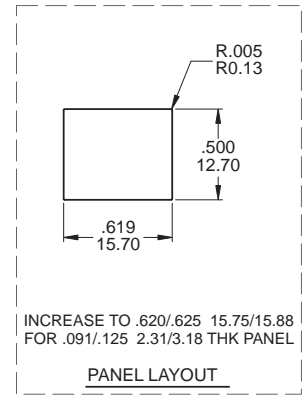
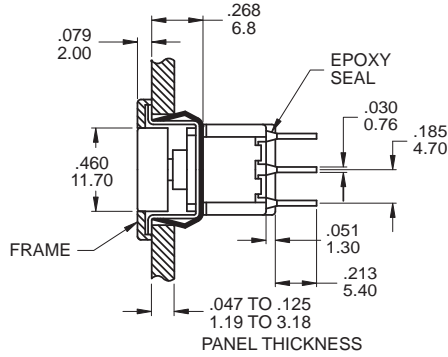
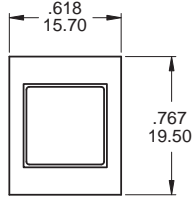
7M  
Pushbutton Switches

# 7M Series

Snap-Acting Pushbutton Switches

## PANEL MOUNTING

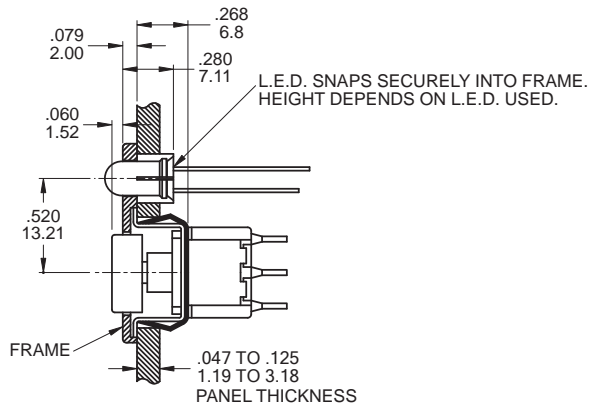
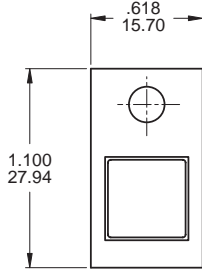
### AP4 CAP & FRAME



### DPDT

Part No. Shown : 7MD7AP423M1RES

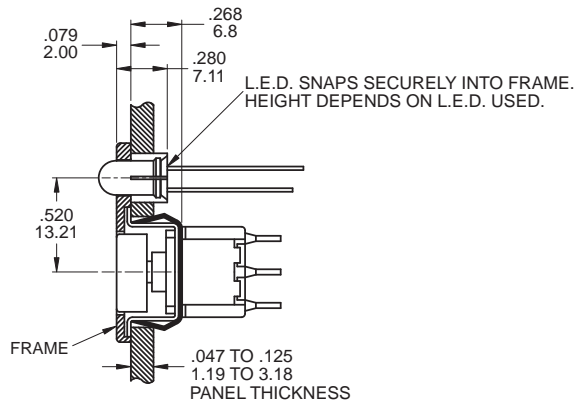
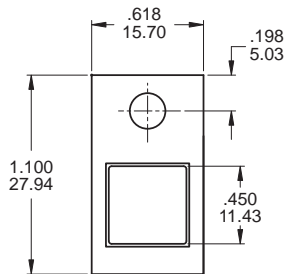
### AP5 CAP & FRAME



### SPDT

Part No. Shown : 7MS7AP523M1QES

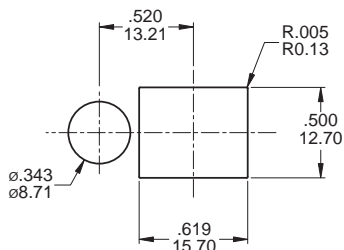
### AP6 CAP & FRAME



### SPDT

Part No. Shown : 7MS7AP629M1RES

### FOR AP5/AP6



### CAP AND FRAME COLORS

OPTION CODE	COLOR
1	WHITE
2	BLACK(std)
3	RED

### LED COLORS

OPTION CODE	COLOR
R	RED(std)
G	GREEN
Y	YELLOW

\* Besides standard color, other colors need to check stocks available.

# Mouser Electronics

Authorized Distributor

Click to View Pricing, Inventory, Delivery & Lifecycle Information:

[Dailywell:](#)

[7MD7B11M7QES](#) [7MS7P1B20M7QES](#) [7MS7P1B20M6QES](#) [7MS7P1B10M1QES-1C23](#) [7MD7B11M1QES](#)  
[7MS7AP223M1QES](#) [7MS7B10M1QES](#)