

Ring cable lug - C-RCI 2,5/M5

3240024

<https://www.phoenixcontact.com/gb/products/3240024>



Please be informed that the data shown in this PDF document is generated from our Online Catalog. Please find the complete data in the user documentation. Our General Terms of Use for Downloads are valid.



Ring cable lug, blue, 1.5 ... 2.5 mm², M5

Your advantages

- The sleeves are conically tapered to facilitate easy and correct insertion of the conductor
- The insulated ring cable lugs with plastic sleeve are hard-soldered and feature the 'EASY ENTRY' system

Ring cable lug - C-RCI 2,5/M5



3240024

<https://www.phoenixcontact.com/gb/products/3240024>

Commercial Data

Item number	3240024
Packing unit	100 pc
Minimum order quantity	100 pc
Sales Key	BH3421
Product Key	BH3421
Catalog Page	Page 492 (C-3-2019)
GTIN	4046356452014
Weight per Piece (including packing)	0.96 g
Weight per Piece (excluding packing)	0.96 g
Customs tariff number	85369010
Country of origin	CN

Ring cable lug - C-RCI 2,5/M5

3240024

<https://www.phoenixcontact.com/gb/products/3240024>

Technical Data

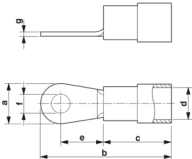
Product properties

Product type	Connector
--------------	-----------

Electrical properties

Fuse	yes
------	-----

Dimensions

Dimensional drawing	
Width	9.5 mm
Length	23 mm
Length of the insulating material sleeve	11 mm
Maximum stripping length	8 mm
Distance from the center to the insulating material sleeve	7.3 mm
Min. material thickness	0.8 mm
Inner dimensions of the insulating collar	4.5 mm

Internal dimensions

Internal diameter	5.3 mm
-------------------	--------

Material specifications

Color	blue
Material	Copper
Flammability rating according to UL 94	V2
Coating	tin-plated
Insulating material	PA
Components	halogen-free

Connector

Material	Copper
Material	Copper

Environmental and real-life conditions

Ambient conditions

Optimum ambient temperature (storage/transport)	20 °C 50 % Humidity (RH), store inside sealed original packaging. Avoid direct sunlight and heat.
Ambient temperature (operation)	-20 °C ... 105 °C
Ambient temperature (assembly)	-20 °C ... 100 °C

Ring cable lug - C-RCI 2,5/M5



3240024

<https://www.phoenixcontact.com/gb/products/3240024>

Short-term temperature	100 °C
------------------------	--------

Standards and regulations

Design according to standard	JIS, UL, CSA
------------------------------	--------------

Ring cable lug - C-RCI 2,5/M5

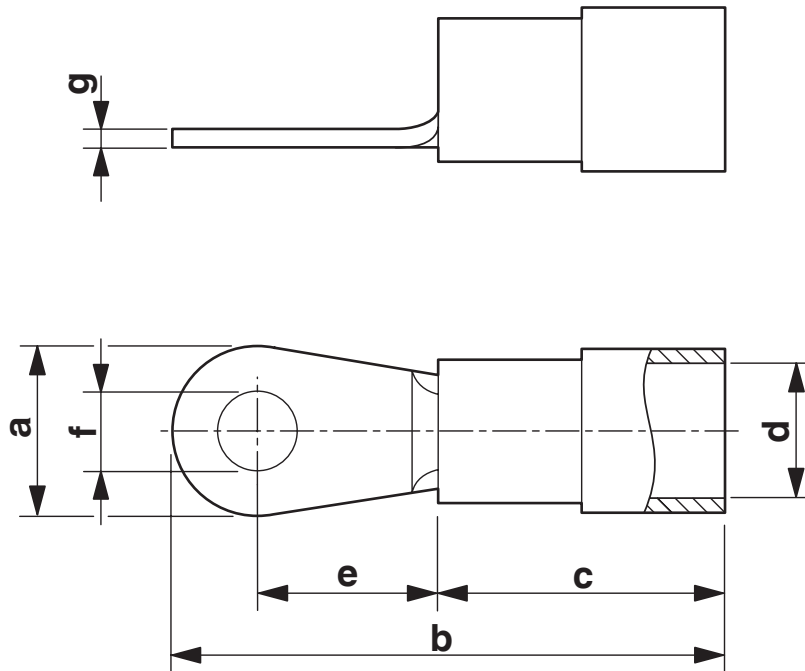
3240024

<https://www.phoenixcontact.com/gb/products/3240024>



Drawings

Dimensional drawing



Ring cable lug - C-RCI 2,5/M5



3240024

<https://www.phoenixcontact.com/gb/products/3240024>

Classifications

ECLASS

ECLASS-9.0	27400204
ECLASS-10.0.1	27400204
ECLASS-11.0	27400204

ETIM

ETIM 8.0	EC001052
----------	----------

UNSPSC

UNSPSC 21.0	27121700
-------------	----------

Ring cable lug - C-RCI 2,5/M5



3240024

<https://www.phoenixcontact.com/gb/products/3240024>

Environmental Product Compliance

China RoHS	Environmentally friendly use period: unlimited = EFUP-e No hazardous substances above threshold values
------------	---

Phoenix Contact 2022 © - all rights reserved
<https://www.phoenixcontact.com>

PHOENIX CONTACT Ltd
Halesfield 13, Telford
Shropshire, TF7 4PG
01952 681700
info@phoenixcontact.co.uk