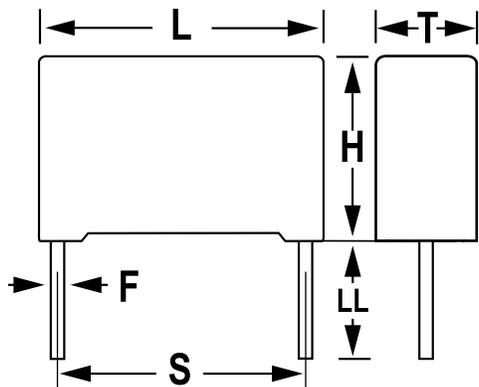


**KEMET Part Number: PHE844RD6470MR30L2**  
 (F844DY474M440ALW0L, PHE844RD6470MD19R30L2)

PHE844/F844, Film, Metallized Polypropylene, Safety, 0.47 uF, 20%, 440 VAC (X1) (ENEC), 480 VAC (UL, cUL), 1000 VDC, 105°C, Lead Spacing = 22.5mm



General Information	
Supplier:	KEMET
Series:	PHE844/F844
Dielectric:	Metallized Polypropylene
Style:	Radial
Features:	EMI Safety
RoHS:	Yes
Lead:	Wire Leads
Qualifications:	ENEC, UL, cUL
Miscellaneous:	ClimCat: 40/105/56/B

Dimensions	
L	26mm MAX
H	24.5mm MAX
T	15.5mm MAX
S	22.5mm +/-0.4mm
LL	30mm -1mm
F	0.8mm +/-0.05mm

Specifications	
Capacitance:	0.47 uF
Capacitance Tolerance:	20%
Voltage AC:	440 VAC (X1) (ENEC), 480 VAC (UL, cUL)
Voltage DC:	1000 VDC
Temperature Range:	-40/+105C
Rated Temperature:	105°C
Dissipation Factor:	0.10% 1kHz, 0.40% 10kHz
Insulation Resistance:	21.2766 GOhms
Max dV/dt:	100 V/us
Safety Class:	X1

Packaging Specifications	
Packaging:	Tray
Packaging Quantity:	176