

**DATA SHEET**

# SKY77764 Power Amplifier Module for CDMA / WCDMA / HSDPA / HSUPA / HSPA+ / LTE – Bands III, IV, IX (1710 MHz–1785 MHz)

**Applications**

- WCDMA handsets
- HSDPA
- HSUPA
- HSPA+
- LTE
- CDMA2000
- EVDO

**Features**

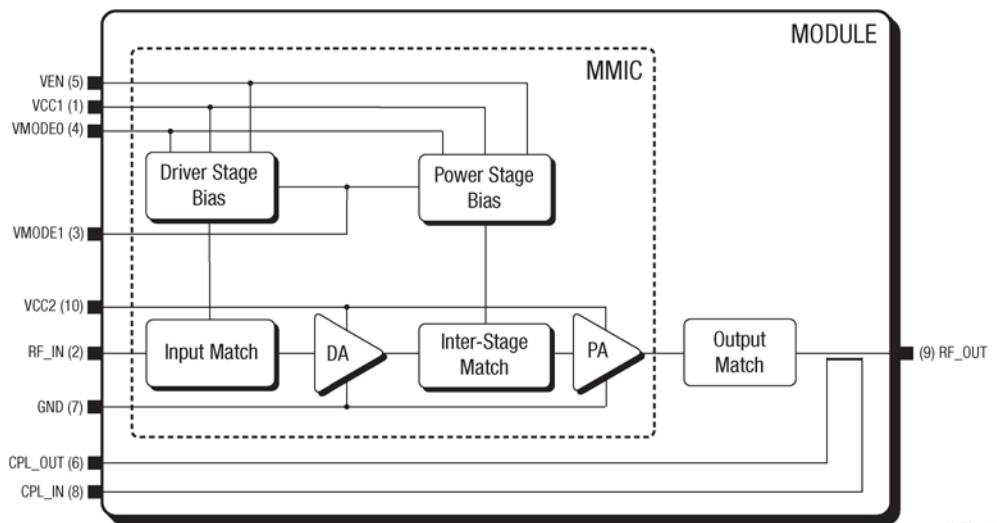
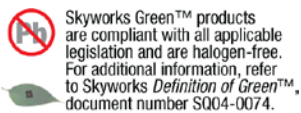
- Low voltage positive bias supply 3.0 V to 4.5 V
- Good linearity
- High efficiency
  - 46% at 28.6 dBm
- Large dynamic range
- Small, low profile package
  - 3 mm x 3 mm x 0.9 mm
  - 10-pad configuration
- Power down control
- InGaP
- Supports low collector voltage operation
- Digital Enable
- No V<sub>REF</sub> required
- CMOS compatible control signals
- Integrated Directional Coupler

**Description**

The SKY77764 Power Amplifier Module (PAM) is a fully matched 10-pad surface mount module developed for Wideband Code Division Multiple Access (WCDMA) applications. This small and efficient module packs full 1710-1785 MHz bandwidth coverage into a single compact package. Because of high efficiencies attained throughout the entire power range, the SKY77764 delivers unsurpassed talk-time advantages. The SKY77764 meets the stringent spectral linearity requirements of High Speed Downlink Packet Access (HSDPA), High Speed Uplink Packet Access (HSUPA), and Long Term Evolution (LTE) data transmission with high power added efficiency. An integrated directional coupler eliminates the need for any external coupler.

The Gallium Arsenide (GaAs) Microwave Monolithic Integrated Circuit (MMIC) contains all amplifier active circuitry, including input and interstage matching circuits. The silicon CMOS support die, providing precision biasing for the MMIC affords a true CMOS-compatible control interface. Output match into a 50-ohm load, realized off-chip within the module package, optimizes efficiency and power performance.

The SKY77764 is manufactured with Skyworks' InGaP GaAs Heterojunction Bipolar Transistor (HBT) process which provides for all positive voltage DC supply operation and maintains high efficiency and good linearity. While primary bias to the SKY77764 can be supplied directly from any suitable battery with an output of 3.2 V to 4.2 V, optimal performance is obtained with VCC2 sourced from a DC-DC power supply adjusted within 0.5 V to 3.6 V based on target output power levels. Power down executes by setting VENABLE to zero volts. No external supply side switch is needed as typical "off" leakage is a few microamperes with full primary voltage supplied from the battery.



**FIGURE 1. SKY77764 FUNCTIONAL BLOCK DIAGRAM**

**Electrical Specifications**

The following tables list the electrical characteristics of the SKY77764 Power Amplifier. Table 1 lists the absolute maximum ratings and Table 2 shows the recommended operating conditions. Electrical specifications for nominal operating

conditions are listed in Table 4. Table 3 presents a truth table for the power settings. Tables 5 through 8 provide the standard test configurations for WCDMA (STC1), HSDPA (STC2), and HSUPA (STC3, STC4) respectively.

**TABLE 1. ABSOLUTE MAXIMUM OPERATING CONDITIONS**

*No damage assuming only one parameter is set at limit at a time with all other parameters set at nominal value.*

Parameter	Symbol	Minimum	Nominal	Maximum	Unit	
RF Input Power	P <sub>IN</sub>	—	0	10	dBm	
Supply Voltage <sup>1</sup>	No RF	V <sub>CC1</sub>	—	3.8	6.0	Volts
			With RF	—	3.8	
	With RF	V <sub>CC2</sub>	—	3.4	6.0	
			—	3.4	4.6	
Enable Control Voltage	V <sub>EN</sub>	—	1.8	4.2	Volts	
Mode Control Voltage	V <sub>MODE0</sub>	—	1.8	4.2	Volts	
	V <sub>MODE1</sub>	—	1.8	4.2		
Case Temperature <sup>2</sup>	Operating	T <sub>CASE</sub>	–30	+25	+110	°C
	Storage	T <sub>STG</sub>	–40	—	+150	

<sup>1</sup> Overvoltage shutdown circuitry turns on at approximately 5 V.

<sup>2</sup> Case Operating Temperature (T<sub>CASE</sub>) refers to the temperature of the GROUND PAD at the underside of the package.

**TABLE 2. RECOMMENDED OPERATING CONDITIONS**

Parameter	Symbol	Minimum	Nominal	Maximum	Unit	
RF Output Power <sup>1</sup>	WCDMA	P <sub>OUT_MAX</sub>	28.6	—	—	dBm
	HSDPA		27.6	—	—	
	HSUPA		25.0	—	—	
	LTE		27.6	—	—	
	CDMA2000		28.0	—	—	
Operating Frequency	f <sub>0</sub>	1710.0	1747.5	1785.0	MHz	
Supply Voltage <sup>2</sup>	V <sub>CC1</sub>	3.0	3.4	4.5	Volts	
	V <sub>CC2</sub>	0.5	—	3.6		
Enable Control Voltage	Low	V <sub>EN_L</sub>	0.0	0.0	0.5	Volts
	High	V <sub>EN_H</sub>	1.35	1.8	3.1	
Mode Control Voltage	Low	V <sub>MODE0</sub>	0.0	0.0	0.5	Volts
		V <sub>MODE1</sub>	0.0	0.0	0.5	
	High	V <sub>MODE0</sub>	1.35	1.8	3.1	
		V <sub>MODE1</sub>	1.35	1.8	3.1	
Case Operating Temperature <sup>3</sup>	T <sub>CASE</sub>	–20	+25	+85	°C	

<sup>1</sup> For V<sub>CC</sub> < 3.4 V, output power back-off = 0.5 dB.

<sup>2</sup> Specifications in Table 4 are specified at V<sub>CC1</sub> = 3.2 V–4.2 V.

<sup>3</sup> Equivalent to –30 °C to +75 °C Ambient Operating Temperature.

**TABLE 3. MODES OF OPERATION**

Power Setting	ENABLE	VMODE0	VMODE1	VCC
Power Down Mode	Low	Low	Low	On
Standby Mode	Low	—	—	On
High Power Mode (17.0 dBm ≤ P <sub>OUT</sub> ≤ 28.6 dBm)	High	Low	—	On
Medium Power Mode (7.0 dBm ≤ P <sub>OUT</sub> ≤ 17.0 dBm)	High	High	Low	On
Low Power Mode (P <sub>OUT</sub> ≤ 7.0 dBm)	High	High	High	On

**TABLE 4. ELECTRICAL SPECIFICATIONS FOR NOMINAL OPERATING CONDITIONS**

*Per Table 2 over dynamic range up to 28.6 dBm output power for STC1 modulation, unless otherwise specified.*

Characteristics	Symbol	Condition	Minimum	Typical	Maximum	Unit	
Gain <sup>1</sup>	GLOW	P <sub>OUT</sub> = 7.0 dBm V <sub>CC2</sub> = 0.8 V	12.0	16.0	19.0	dB	
	GMED	P <sub>OUT</sub> = 17.0 dBm V <sub>CC2</sub> = 1.5 V	20.0	24.0	28.0		
	GHIGH	P <sub>OUT</sub> = 28.6 dBm	25.0	28.0	31.0		
Rx Band Gain	Band III Band IV Band IX	RxG	P <sub>OUT</sub> = 28.6 dBm	—	—	-1	dB
				—	—	-6	
				—	—	-1	
	RxG_GPS	—	—	-1			
	RxG_ISM	—	—	-10			
Power Added Efficiency	PAE <sub>LOW</sub>	P <sub>OUT</sub> = 7.0 dBm, V <sub>CC2</sub> = 0.8 V	10.5	12.5	—	%	
	PAE <sub>MED</sub>	P <sub>OUT</sub> = 17.0 dBm, V <sub>CC2</sub> = 1.5 V	22.0	26.0	—		
	PAE <sub>HIGH</sub>	P <sub>OUT</sub> = 28.6 dBm	43.0	46.0	—		
Total Supply Current	ICC <sub>LOW</sub>	P <sub>OUT</sub> = 7.0 dBm, V <sub>CC2</sub> = 0.8 V	—	45	55	mA	
	ICC <sub>MED</sub>	P <sub>OUT</sub> = 17.0 dBm, V <sub>CC2</sub> = 1.5 V	—	125	150		
	ICC <sub>HIGH</sub>	P <sub>OUT</sub> = 28.6 dBm	—	460	500		
Quiescent Current	I <sub>Q_LOW</sub>	Low Power Mode	—	23.0	27.5	mA	
	I <sub>Q_MED</sub>	Medium Power Mode	—	33.0	42.0		
Enable Control Current	I <sub>EN</sub>	—	—	20	40	μA	
Mode Control Current	I <sub>MODE0</sub>	—	—	20	40	μA	
	I <sub>MODE1</sub>	—	—	20	40		
Total Supply Current in Power Down Mode	I <sub>PD</sub>	V <sub>CC</sub> = 4.5 V V <sub>EN</sub> = Low V <sub>MODE0</sub> = Low V <sub>MODE1</sub> = Low	—	1	10	μA	
ICC1 Current	ICC1 <sub>HIGH</sub>	—	—	—	10	mA	
Adjacent Channel Leakage power Ratio <sup>2</sup>	5 MHz offset	ACLR5	P <sub>OUT</sub> = 7.0 dBm	—	-43.0	-38.5	dBc
			P <sub>OUT</sub> = 17.0 dBm	—	-47.0	-39.0	
			P <sub>OUT</sub> = 28.6 dBm	—	-42.0	-39.0	
	10 MHz offset	ACLR10	P <sub>OUT</sub> = 7.0 dBm	—	-67.0	-52.0	
			P <sub>OUT</sub> = 17.0 dBm	—	-65.0	-52.0	
			P <sub>OUT</sub> = 28.6 dBm	—	-55.0	-52.0	

**TABLE 4 [CONTINUED] ELECTRICAL SPECIFICATIONS FOR NOMINAL OPERATING CONDITIONS**  
*Per Table 2 over dynamic range up to 28.6 dBm output power for STC1 modulation, unless otherwise specified.*

Characteristics	Symbol	Condition	Minimum	Typical	Maximum	Unit	
Adjacent Channel Leakage power Ratio <sup>3</sup>	EUTRA offset	ACLR_EUTRA	$P_{OUT} \leq (P_{OUT\_MAX} - MPR^4)$	—	-40	—	dBc
	UTRA offset	ACLR1_UTRA		—	-42	—	
		ACLR2_UTRA		—	—	—	
Adjacent Channel Power Ratio <sup>5,6</sup>	1.25 MHz offset	ACPR1	$P_{OUT} = 28.25$ dBm	—	-49	—	dBc
	1.98 MHz offset	ACPR2		—	-57	—	
Harmonic Suppression	Second	$f_02$	$P_{OUT} \leq 28.6$ dBm	—	-45	-35	dBc
	Third	$f_03$		—	-50	-45	
Tx Noise in Rx Bands <sup>1</sup>	Rx Band III		1805 MHz–1880 MHz	—	—	-137	dBm/Hz
	Rx Band IV		2110 MHz–2170 MHz	—	—	-140	
	Rx Band IX		1840 MHz–1879.9 MHz	—	—	-136	
	GPS Rx		1574 MHz–1577 MHz	—	—	-134	
	ISM Rx		2400 MHz–2483.5 MHz	—	—	-143	
Error Vector Magnitude	EVM1	$P_{OUT} = P_{OUT\_MAX}$	—	—	3.35	%	
	EVM2	$P_{OUT} = P_{OUT\_MAX} - 3$	—	—	2.50		
Rise / Fall Time	DC	TON_DC	—	—	20	µs	
		TOFF_DC	—	—	20		
	RF	TON_RF	—	—	6		
		TOFF_RF	—	—	6		
Coupling Factor	CPL	$P_{OUT} = P_{OUT\_MAX}$	-22	-20	-18	dB	
CPL_OUT / P_OUT Power Ratio Variation Over Output VSWR		2.5:1 VSWR at P_OUT all VSWR phases CPL_IN 50 Ω terminated	—	±0.32	—	dB	
Daisy-chain	VSWR		CPL_IN and CPL_OUT ports 698 MHz to 2620 MHz V_EN = Low	—	—	1.6:1	dB
	Insertion Loss		CPL_IN to CPL_OUT ports 698 MHz to 2620 MHz V_EN = Low	—	—	0.25	
Input Voltage Standing Wave Ratio	VSWR	—	—	1.7:1	1.95:1	—	
Stability (Spurious output) <sup>1</sup>	S	6:1 VSWR All phases	—	—	-70	dBc	
Ruggedness – no damage <sup>1,7</sup>	Ru	$P_{OUT} \leq 28.6$ dBm	10:1	—	—	VSWR	

<sup>1</sup> Over conditions  
<sup>2</sup> ACLR is expressed as a ratio of total adjacent power to WCDMA modulated in-band, both measured in 3.84 MHz bandwidth at specified offsets.  
<sup>3</sup> LTE: EVM and ACLR are measured with QPSK modulation with 20 MHz bandwidth and 18 resource blocks. (Maximum Power Reduction = 0 dBm per 3GPP TS36.101.  
<sup>4</sup> MPR is the maximum power reduction as defined in 3GPP TS36.101  
<sup>5</sup> ACPR is specified per IS95 as the ratio of the total in-band power (1.23 MHz BW) to adjacent power in a 30 kHz BW.  
<sup>6</sup> For CDMA2000 test configured as [PCD at -7.40 dB, DCCH-9600 bps at -15.35 dB; SCHO-9600 bps at -15.63 dB] and other test configurations that yield a peak-to-average up to 4.02 dB for CCDF = 1%, up to 1 dB power back off from the maximum listed for IS95 may be required to meet specified maximum ACP performance under worst-case conditions.  
<sup>7</sup> All phases, time = 10 seconds.

**TABLE 5. STANDARD TEST CONFIGURATION – STC1 WCDMA MODE**

Parameter	Level	Spread Code	Spread Factor	I/Q	$\beta_c$	$\beta_d$	$\beta_{hs}$	$\beta_{ec}$	$\beta_{ed}$	Relative Power (dB)
DPCCH	15 kbps	0	256	Q	8/15	—	—	—	—	-6.547
DPDCH	60 kbps	16	64	I	—	15/15	—	—	—	-1.087

**TABLE 6. STANDARD TEST CONFIGURATION – STC2 HSDPA MODE**

Parameter	Level	Spread Code	Spread Factor	I/Q	$\beta_c$	$\beta_d$	$\beta_{hs}$	$\beta_{ec}$	$\beta_{ed}$	Relative Power (dB)
DPCCH	15 kbps	0	256	Q	12/15	—	—	—	—	-7.095
DPDCH	60 kbps	16	64	I	—	15/15	—	—	—	-5.157
HS-DPCCH	15 kbps	64	256	Q	—	—	24/15	—	—	-3.012

**TABLE 7. STANDARD TEST CONFIGURATION – STC3 HSUPA MODE**

Parameter	Level	Spread Code	Spread Factor	I/Q	$\beta_c$	$\beta_d$	$\beta_{hs}$	$\beta_{ec}$	$\beta_{ed}$	Relative Power (dB)
DPCCH	15 kbps	0	256	Q	8/15	—	—	—	—	-19.391
DPDCH	960 kbps	1	4	I	—	15/15	—	—	—	-13.931
HS- DPCCH	15 kbps	64	256	Q	—	—	8/15	—	—	-19.391
E-DPCCH	15 kbps	1	256	I	—	—	—	10/15	—	-17.338
E-DPDCH	960 kbps	2	4	I	—	—	—	—	71.5/15	-0.371

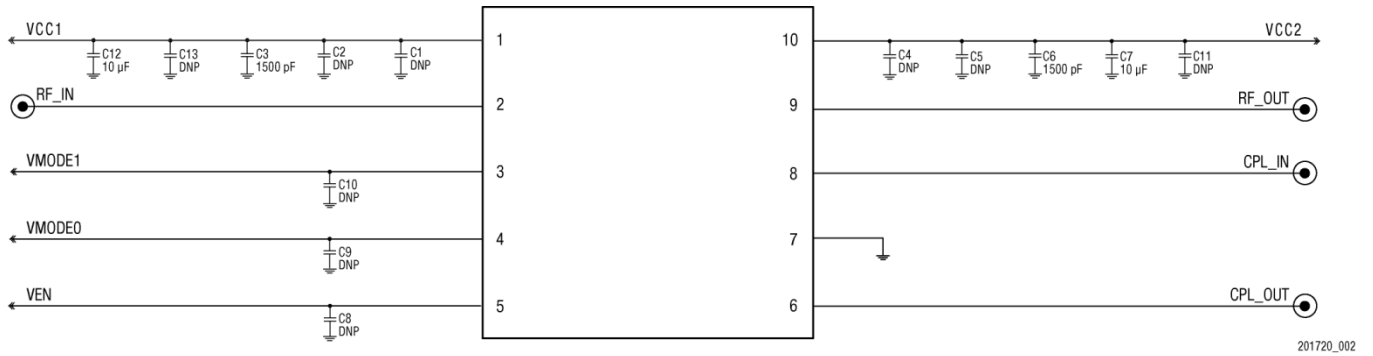
**TABLE 8. STANDARD TEST CONFIGURATION – STC4 HSUPA MODE**

Parameter	Level	Spread Code	Spread Factor	I/Q	$\beta_c$	$\beta_d$	$\beta_{hs}$	$\beta_{ec}$	$\beta_{ed}$	Relative Power (dB)
DPCCH	15 kbps	0	256	Q	6/15	—	—	—	—	-12.499
DPDCH	960 kbps	1	4	I	—	15/15	—	—	—	-4.540
HS- DPCCH	15 kbps	64	256	Q	—	—	2/15	—	—	-22.041
E-DPCCH	15 kbps	1	256	I	—	—	—	12/15	—	-6.478
E-DPDCH	960 kbps	2	4	I	—	—	—	—	15/15	-4.425

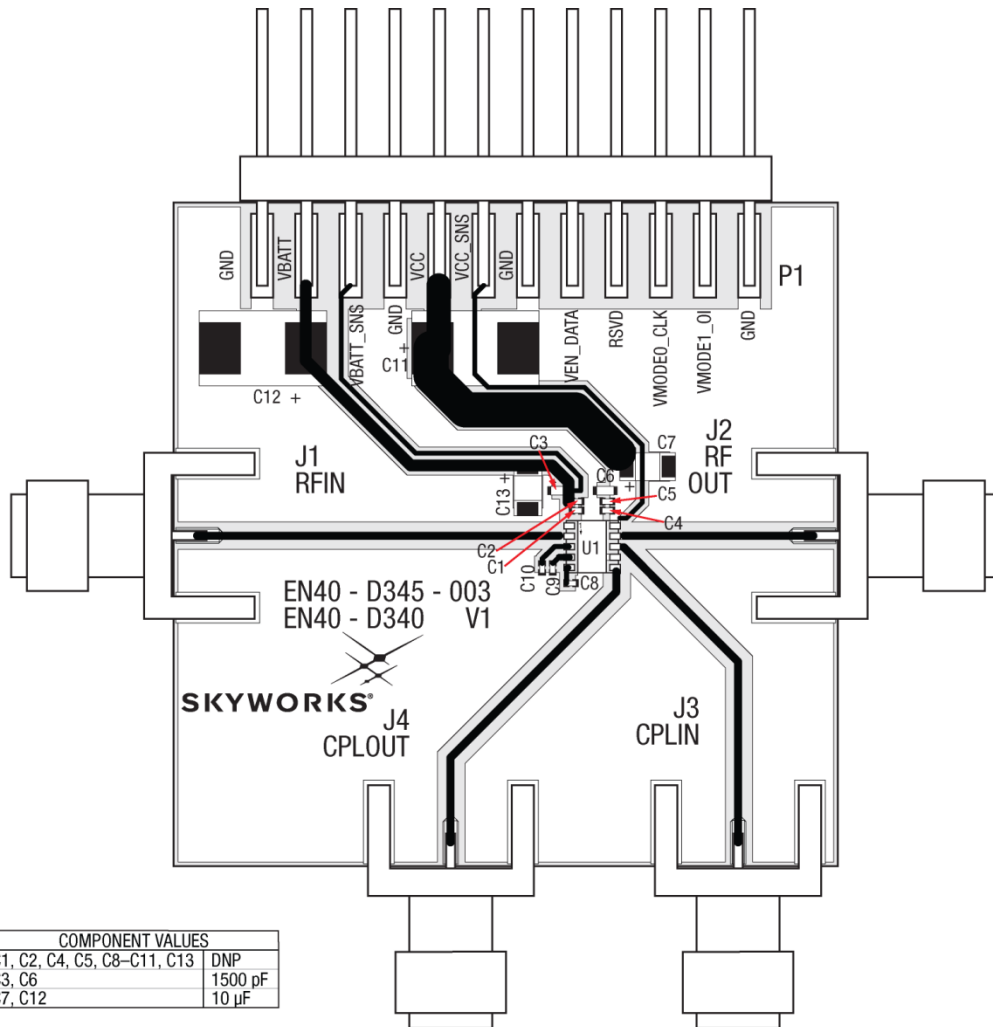
**Evaluation Board Description**

The evaluation board is a platform for testing and interfacing design circuitry. To accommodate the interface testing of the SKY77764, the evaluation board schematic and assembly

diagrams are included for analysis and design. Figure 2 shows the basic schematic of the board for the 1710 MHz to 1785 MHz range.



**FIGURE 2. EVALUATION BOARD SCHEMATIC**

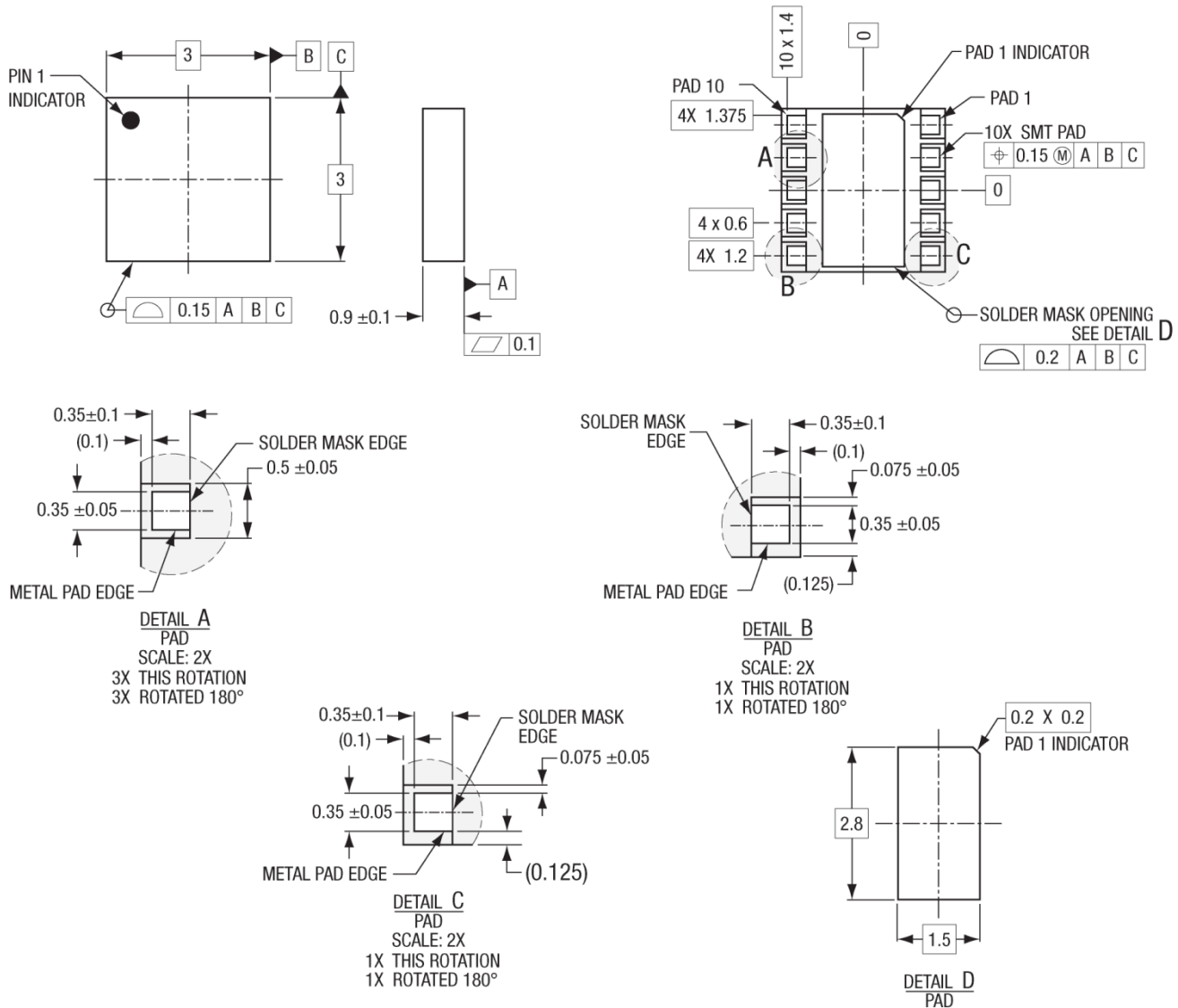


**FIGURE 3. EVALUATION BOARD ASSEMBLY DIAGRAM**

**Package Dimensions**

The SKY77764 is a multi-layer laminate base, overmold encapsulated modular package designed for surface mount solder attachment to a printed circuit board. Figure 4 is a mechanical drawing of the pad layout for this package. Figure 5 provides a

recommended phone board layout footprint for the PAM to help the designer attain optimum thermal conductivity, good grounding, and minimum RF discontinuity for the 50-ohm terminals.



- NOTES: Unless otherwise specified.  
 1. Dimensioning and Tolerancing in accordance with ASME Y14.5M-1994  
 2. All dimensions are in millimeters.

DS\_D804\_77761 REV 1 2/08/12  
201720\_004

**FIGURE 4. DIMENSIONAL DIAGRAM FOR 3 mm x 3 mm x 0.9 mm PACKAGE – SKY77764 SPECIFIC**

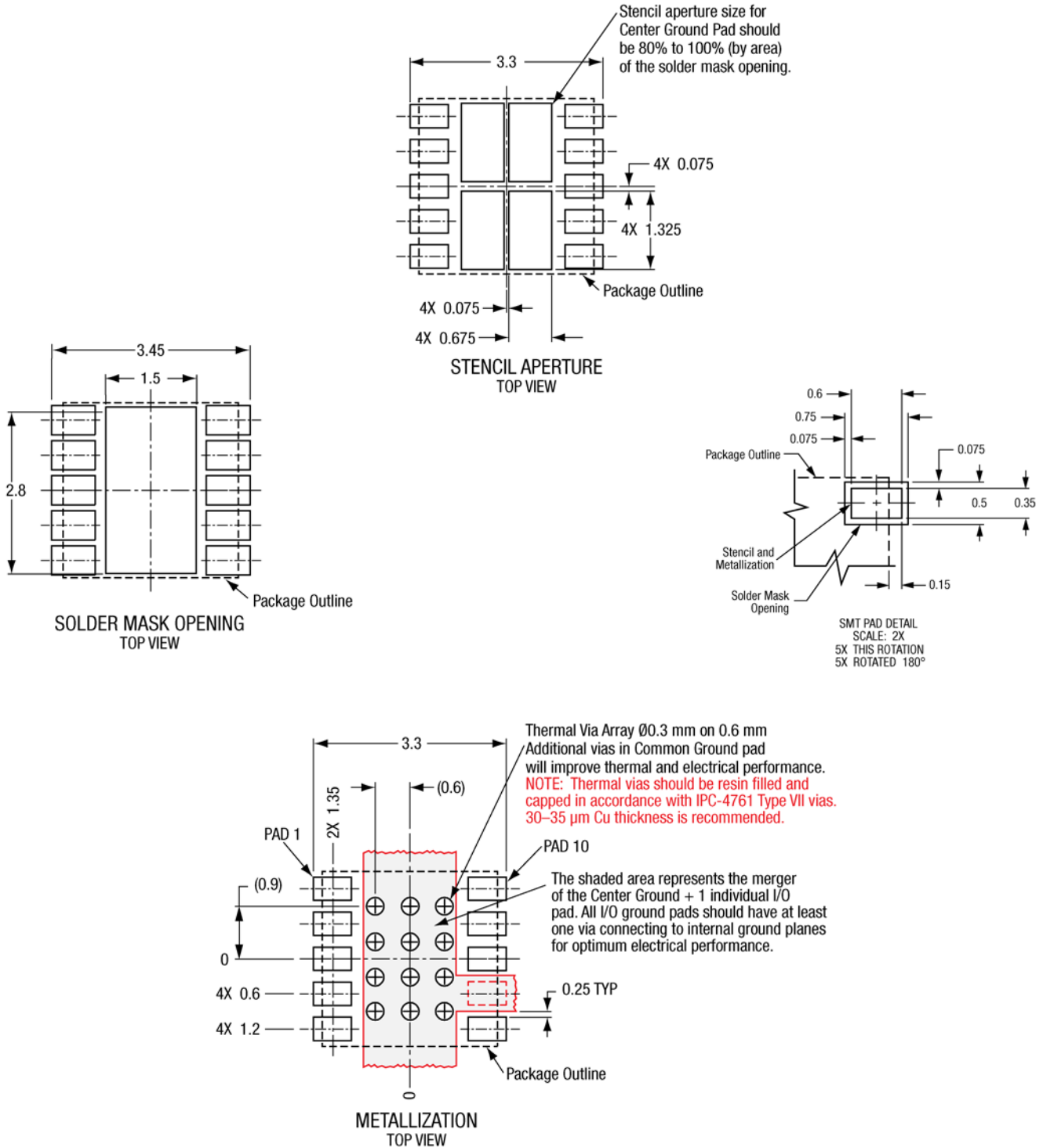


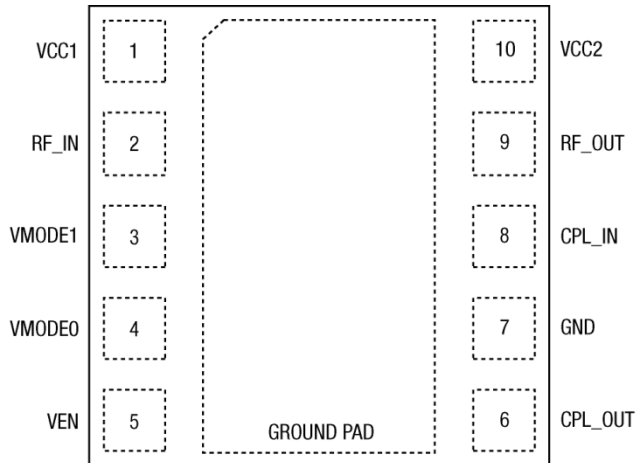
FIGURE 5. PHONE PCB LAYOUT DIAGRAM – 3 mm x 3 mm, 10-PAD PACKAGE – SKY77764

DS\_D804\_77761 REV 1 2/08/12  
201720\_005



### Package Description

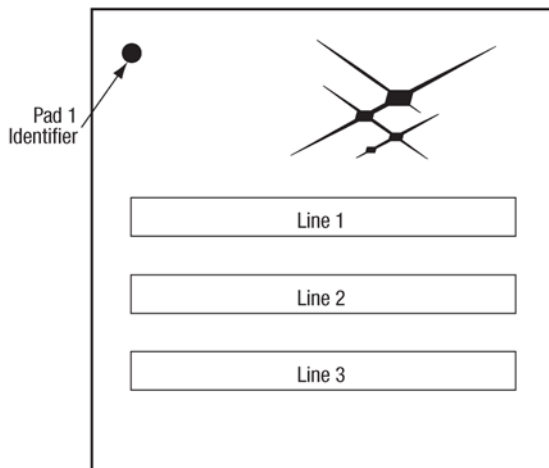
Figure 6 shows the pad functions and the pad numbering convention, which starts with pad 1 in the upper left and increments counter-clockwise around the package. Typical case markings are illustrated in Figure 7.



Pad layout as seen from Top View looking through the package. GROUND PAD is package underside.

201720\_006

**FIGURE 6. SKY77764 PAD NAMES AND CONFIGURATION (TOP VIEW)**



NOTE: Lines 1, 2, 3 have a maximum of 7 characters  
Line 1 = Part Number and Version  
Line 2 = Lot Number  
Line 3 = Year–Week–Country Code (MX)

201137\_007

**FIGURE 7. TYPICAL CASE MARKINGS**

### Package Handling Information

Because of its sensitivity to moisture absorption, this device package is baked and vacuum-packed prior to shipment. Instructions on the shipping container label must be followed regarding exposure to moisture after the container seal is broken, otherwise, problems related to moisture absorption may occur

when the part is subjected to high temperature during solder assembly.

The SKY77764 is capable of withstanding an MSL3/260 °C solder reflow. Care must be taken when attaching this product, whether it is done manually or in a production solder reflow environment. If the part is attached in a reflow oven, the temperature ramp rate should not exceed 3 °C per second; maximum temperature should not exceed 260 °C. If the part is manually attached, precaution should be taken to insure that the part is not subjected to temperatures exceeding 260 °C for more than 10 seconds. For details on attachment techniques, precautions, and handling procedures recommended by Skyworks, please refer to Skyworks Application Note: *PCB Design and SMT Assembly/Rework*, Document Number 101752. Additional information on standard SMT reflow profiles can also be found in the JEDEC Standard J-STD-020.

Production quantities of this product are shipped in the standard tape-and-reel format (Figure 8).

### Electrostatic Discharge (ESD) Sensitivity

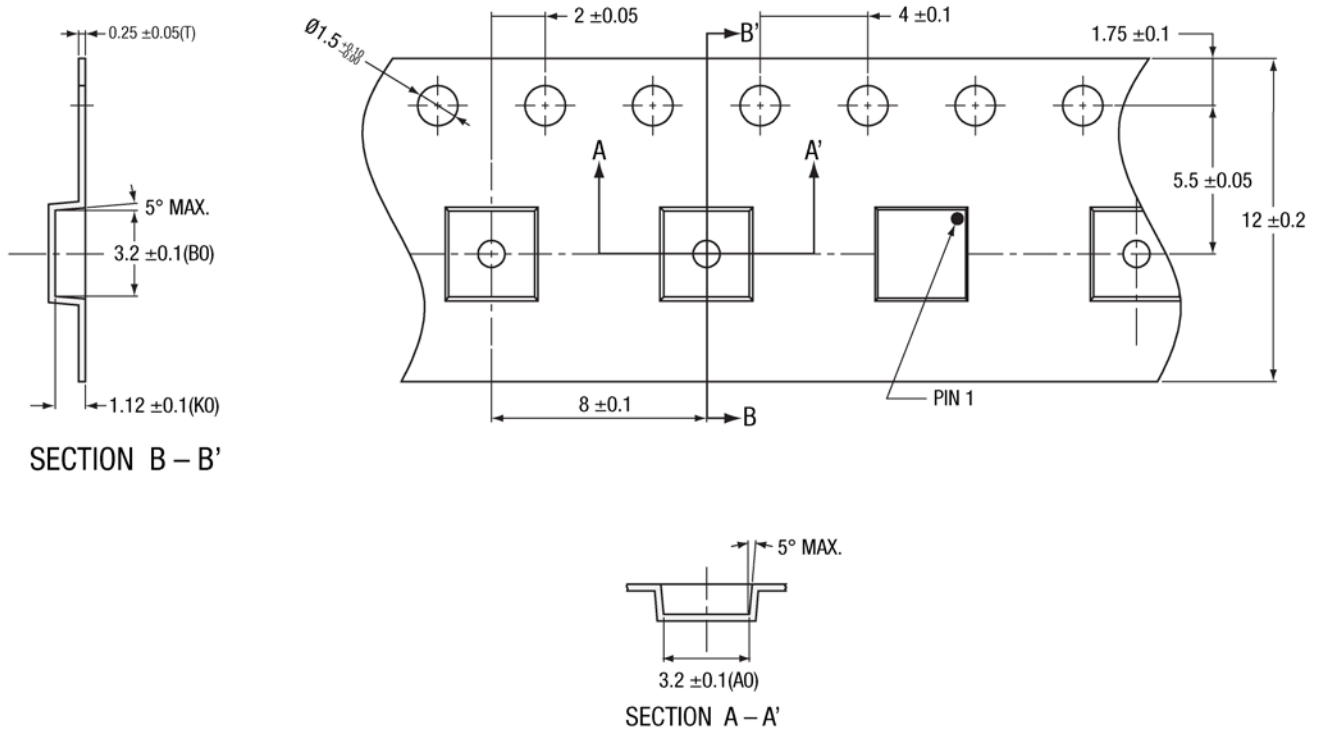
The SKY77764 meets class 1C JESD22-A114 Human Body Model (HBM), class IV JESD22-C101 Charged-Device Model (CDM), and class A JESD22-A115 Machine Model (MM) electrostatic discharge (ESD) sensitivity classification.



**Attention: Observe Precautions for Handling Electrostatic Sensitive Devices**  
Electrostatic Discharge (ESD) can damage this device, which must be protected from ESD at all times. Static charges may easily produce potentials of several kilovolts on the human body or equipment, which can discharge without detection. Industry-standard ESD precautions should be used at all times.

To avoid ESD damage, both latent and visible, it is very important that the product assembly and test areas follow the ESD handling precautions listed below.

- Personnel Grounding
  - Wrist Straps
  - Conductive Smocks, Gloves and Finger Cots
  - Antistatic ID Badges
- Protective Workstation
  - Dissipative Table Top
  - Protective Test Equipment (Properly Grounded)
  - Grounded Tip Soldering Irons
  - Solder Conductive Suckers
  - Static Sensors
- Facility
  - Relative Humidity Control and Air Ionizers
  - Dissipative Floors (less than 1,000 MΩ to GND)
- Protective Packaging and Transportation
  - Bags and Pouches (Faraday Shield)
  - Protective Tote Boxes (Conductive Static Shielding)
  - Protective Trays
  - Grounded Carts
  - Protective Work Order Holders



NOTES:

1. CARRIER TAPE IS BLACK CONDUCTIVE POLYCARBONATE OR POLYSTYRENE.
2. COVER TAPE IS TRANSPARENT AND CONDUCTIVE.
3. ESD-SURFACE RESISTIVITY IS  $\leq 1 \times 10^{10}$  OHMS/SQUARE PER EIA, JEDEC TNR SPECIFICATION.
4. 10 SPROCKET HOLE PITCH CUMULATIVE TOLERANCE:  $\pm 0.2$  mm
5. A<sub>0</sub> & B<sub>0</sub> MEASURED ON PLANE 0.3 mm ABOVE THE BOTTOM OF THE POCKET.
6. ALL DIMENSIONS ARE IN MILLIMETERS.

CARRIER TAPE OVERMOLD MCM / RFLGA 3 x 3 x 0.75 / 0.90 mm BODY SIZE -108A  
201075\_008

FIGURE 8. DIMENSIONAL DIAGRAM FOR CARRIER TAPE BODY SIZE 3 mm x 3 mm x 0.75 / 0.90 mm – MCM

## Ordering Information

Product Name	Order Number	Evaluation Board Part Number
SKY77764 Power Amplifier Module	SKY77764-11	EN40-D345-003

## Revision History

Revision	Date	Description
A	December 20, 2011	Initial Release – Information
B	March 8, 2012	Revise: Figures 1, 4, 5; Tables 1, 4 Add: Figures 2, 3
C	April 9, 2012	Revise: Change Data Sheet status from to PRELIMINARY; Features list (p1); Description (p1); Tables 2–4
D	August 5, 2012	Revise: Change Data Sheet status from PRELIMINARY to FINAL; Table 4; Ordering Information Table (last page)
E	September 19, 2012	Revise: Table 2
F	December 13, 2012	Revise: Table 1 (Supply Voltage, Case Operating Temperature); Table 2 (Case Operating Temperature footnote); Table 4 (I <sub>q</sub> LOW MAX); Figure 7; ESD section WARNING

## References

Skyworks Application Note: PCB Design and SMT Assembly/Rework, Document Number 101752.

Standard SMT Reflow Profiles: JEDEC Standard J–STD–020

Electrostatic Discharge Sensitivity (ESD) Testing: JEDEC Standard, JESD22-A114 Human Body Model (HBM)

Electrostatic Discharge Sensitivity (ESD) Testing: JEDEC Standard, JESD22-A115 Machine Model (MM)

Electrostatic Discharge Sensitivity (ESD) Testing: JEDEC Standard, JESD22-C101 Charged Device Model (CDM).

Copyright © 2011, 2012, Skyworks Solutions, Inc. All Rights Reserved.

Information in this document is provided in connection with Skyworks Solutions, Inc. (“Skyworks”) products or services. These materials, including the information contained herein, are provided by Skyworks as a service to its customers and may be used for informational purposes only by the customer. Skyworks assumes no responsibility for errors or omissions in these materials or the information contained herein. Skyworks may change its documentation, products, services, specifications or product descriptions at any time, without notice. Skyworks makes no commitment to update the materials or information and shall have no responsibility whatsoever for conflicts, incompatibilities, or other difficulties arising from any future changes.

No license, whether express, implied, by estoppel or otherwise, is granted to any intellectual property rights by this document. Skyworks assumes no liability for any materials, products or information provided hereunder, including the sale, distribution, reproduction or use of Skyworks products, information or materials, except as may be provided in Skyworks Terms and Conditions of Sale.

THE MATERIALS, PRODUCTS AND INFORMATION ARE PROVIDED “AS IS” WITHOUT WARRANTY OF ANY KIND, WHETHER EXPRESS, IMPLIED, STATUTORY, OR OTHERWISE, INCLUDING FITNESS FOR A PARTICULAR PURPOSE OR USE, MERCHANTABILITY, PERFORMANCE, QUALITY OR NON-INFRINGEMENT OF ANY INTELLECTUAL PROPERTY RIGHT; ALL SUCH WARRANTIES ARE HEREBY EXPRESSLY DISCLAIMED. SKYWORKS DOES NOT WARRANT THE ACCURACY OR COMPLETENESS OF THE INFORMATION, TEXT, GRAPHICS OR OTHER ITEMS CONTAINED WITHIN THESE MATERIALS. SKYWORKS SHALL NOT BE LIABLE FOR ANY DAMAGES, INCLUDING BUT NOT LIMITED TO ANY SPECIAL, INDIRECT, INCIDENTAL, STATUTORY, OR CONSEQUENTIAL DAMAGES, INCLUDING WITHOUT LIMITATION, LOST REVENUES OR LOST PROFITS THAT MAY RESULT FROM THE USE OF THE MATERIALS OR INFORMATION, WHETHER OR NOT THE RECIPIENT OF MATERIALS HAS BEEN ADVISED OF THE POSSIBILITY OF SUCH DAMAGE.

Skyworks products are not intended for use in medical, lifesaving or life-sustaining applications, or other equipment in which the failure of the Skyworks products could lead to personal injury, death, physical or environmental damage. Skyworks customers using or selling Skyworks products for use in such applications do so at their own risk and agree to fully indemnify Skyworks for any damages resulting from such improper use or sale.

Customers are responsible for their products and applications using Skyworks products, which may deviate from published specifications as a result of design defects, errors, or operation of products outside of published parameters or design specifications. Customers should include design and operating safeguards to minimize these and other risks. Skyworks assumes no liability for applications assistance, customer product design, or damage to any equipment resulting from the use of Skyworks products outside of stated published specifications or parameters.

Skyworks, the Skyworks symbol, “Breakthrough Simplicity,” DCR, Helios, HIP3, Innovation to Go, Intera, iPAC, LIPA, Polar Loop, and System Smart are trademarks or registered trademarks of Skyworks Solutions, Inc., in the United States and other countries. Third-party brands and names are for identification purposes only, and are the property of their respective owners. Additional information, including relevant terms and conditions, posted at [www.skyworksinc.com](http://www.skyworksinc.com), are incorporated by reference.

# Mouser Electronics

Authorized Distributor

Click to View Pricing, Inventory, Delivery & Lifecycle Information:

[Skyworks:](#)

[SKY77764-11](#)