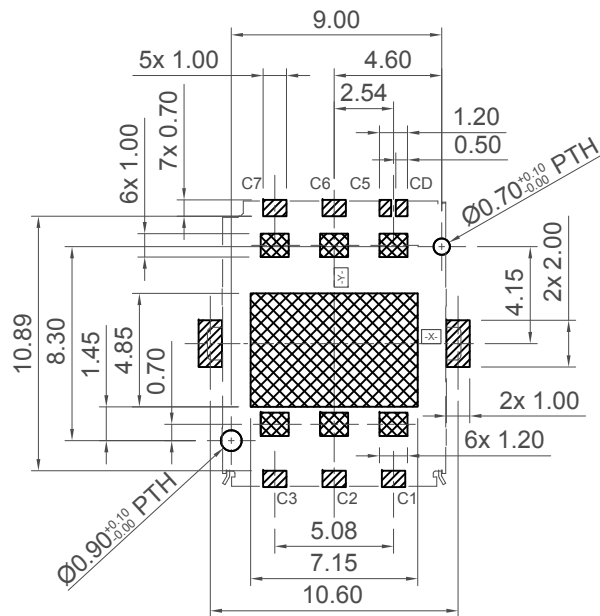
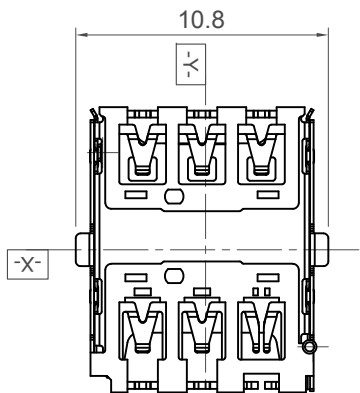
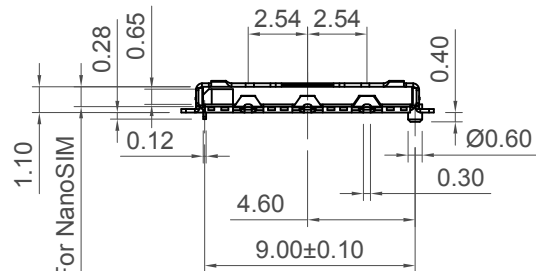
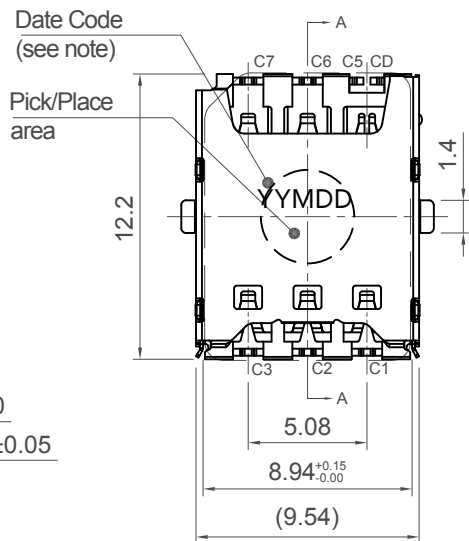


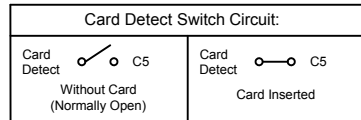
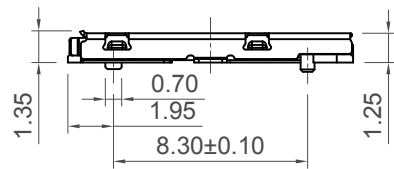
Section A-A



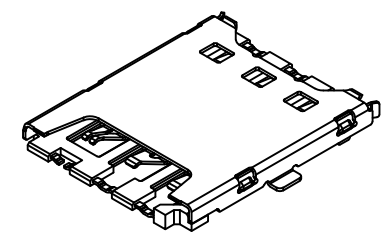
Recommended PCB Layout

As viewed from component side General Tolerance ±0.05  
Locating peg holes only applicable to locating peg version

▨ Solder Area ▩ Keep Out Area □ Component Outline



Date Code Note:  
Code Format = YYMDD  
YY = 2 digit year, eg 14 = 2014  
M = 1 digit month  
1 = January... 9 = September  
A = October, B = November  
C = December  
DD = 2 digit day, eg: 21 = 21st



Specification:

Material:

Plastic Housing: LCP 30%GF, UL94V-0, Black  
Contact Terminal: Phosphor Bronze, T= 0.12mm  
Cover: SUS301-H, T= 0.15mm

Plating:

Contact Terminal:  
Contact Area: 3μ" Gold  
Solder area: Gold Flash  
Underplating: Ni overall 50μ" min.  
Cover: Ni overall 50μ" min.

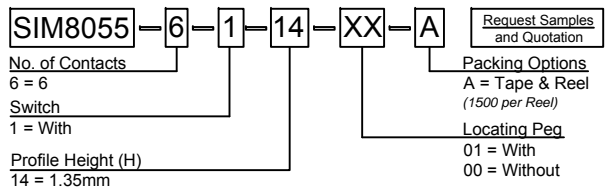
Mechanical:

Duration: 5000 cycles

Electrical:

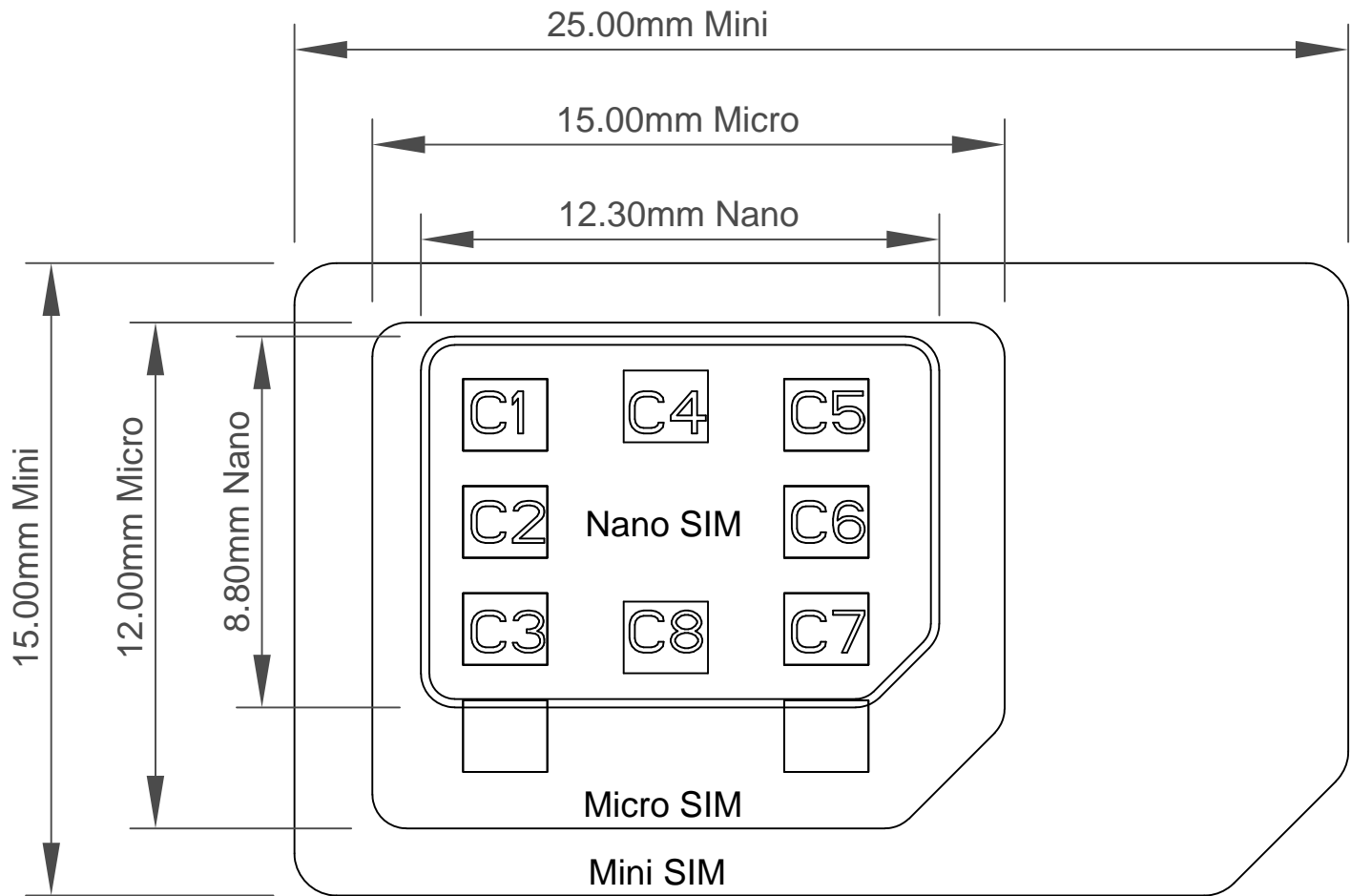
Voltage Rating: 30V max.  
Current Rating: 0.5A max.  
Operating Temperature: -40°C to +85°C  
Dielectric Withstanding Voltage: 100V AC (60 Sec min.)  
Insulation Resistance: 1000 MΩ min.  
Contact Resistance: 100 mΩ max.

Ordering Grid



Part Number		Product Description				This drawing is confidential and copyright of Global Connector Technology, Ltd (GCT). This drawing must not be copied or disclosed without written consent. E & OE	
SIM8055		Nano SIM Card Connector, Push-Pull Type, with Switch					
Drawing Date		27th November 2017		Units: Metric (mm)		3rd Angle Projection	
By		CC		Tolerances (Except as Noted)		All ± 2°	
Detail		Drawing Release		Length		X. ± 0.35	
Revision		A2		X.X ± 0.25		X.XX ± 0.15	
Date		20/09/19		X.XXX ± 0.10			
Not to Scale		Drawn By CC		Sheet No. 1/3			



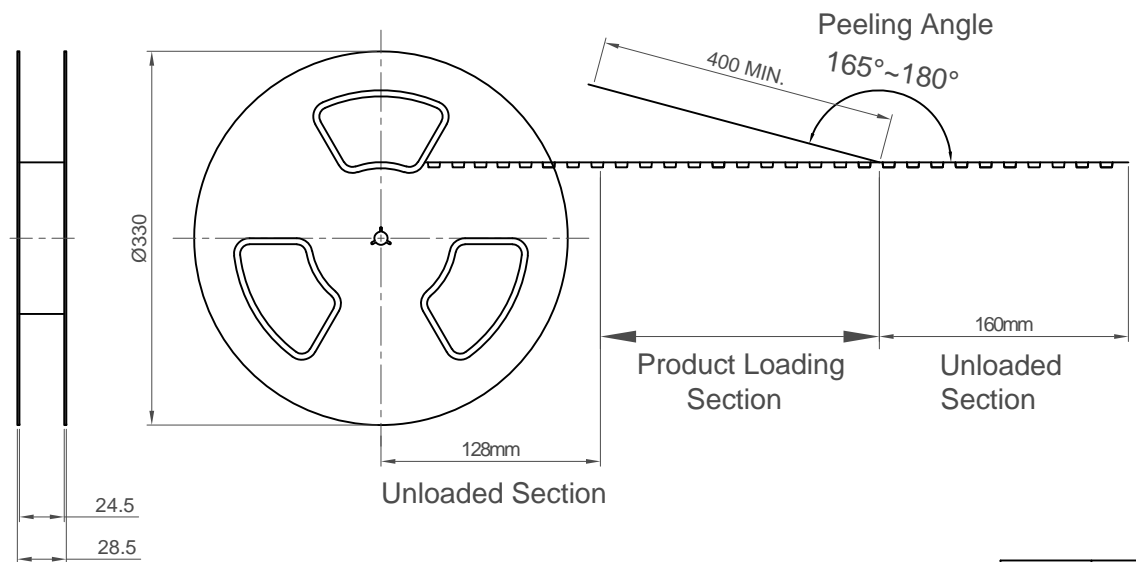


- C1----->VCC
- C2----->RST
- C3----->CLK
- C5----->GND
- C6----->Vpp
- C7----->I/O

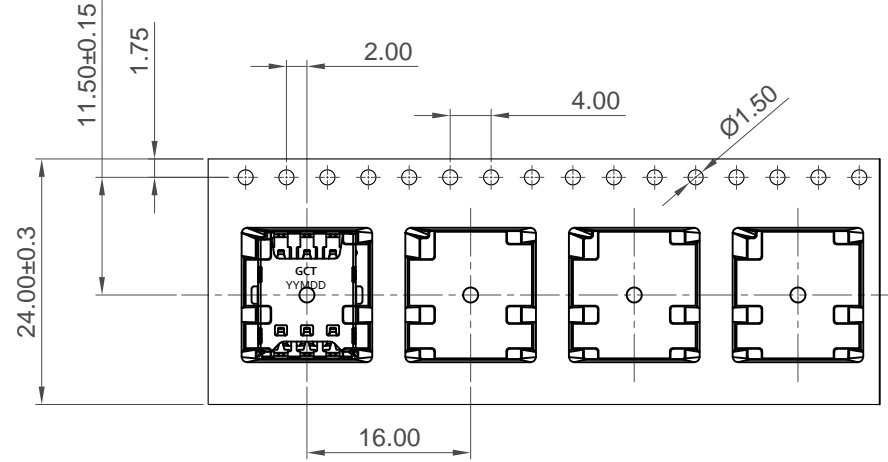
# Reference

Part Number		Product Description	
SIM8055		Nano SIM Card Connector, Push-Pull Type, with Switch	
Drawing Date		6 Pin, SMT, Profile 1.35mm	
27th November 2017			
By	CC	Tolerances (Except as Noted)	Units:
Detail	Drawing Release	Length	Metric (mm)
Revision	A2	X. ± 0.35	 
Date	20/09/19	X.X ± 0.25	
		X.XX ± 0.15	
		X.XXX ± 0.10	
		All ± 2°	
		This drawing is confidential and copyright of Global Connector Technology, Ltd (GCT). This drawing must not be copied or disclosed without written consent. E & OE	
Not to Scale	Drawn By	Sheet No.	
	CC	2/3	

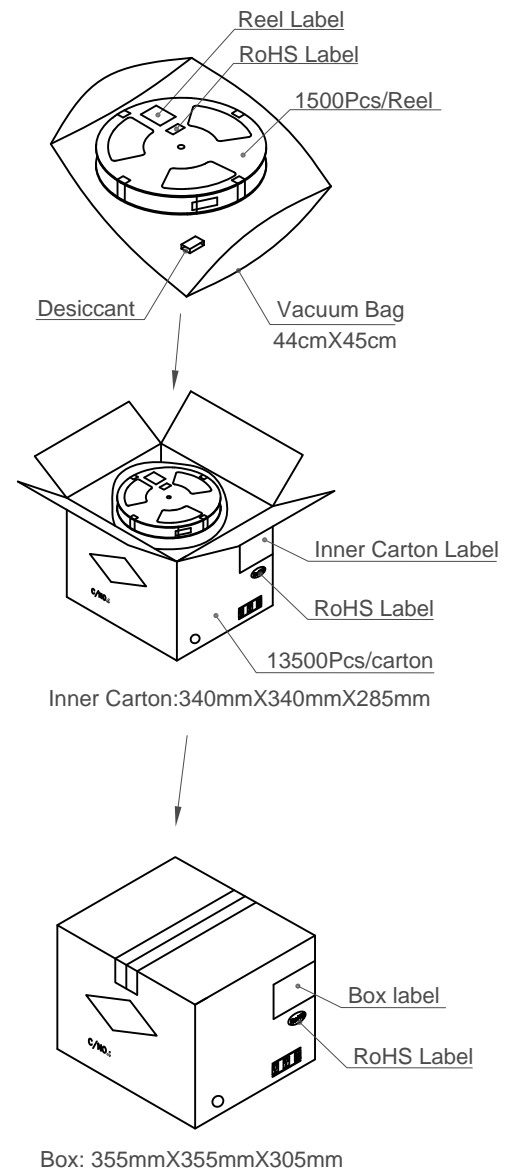




Direction of Unreeling →



Pcs / Reel	Reels / Carton	Total Quality
1500	9	13500



Notes:  
Peeling off force of top tape: 0.1-1.3N (Peeling direction as shown)

Materials:  
Carrier Tape: Polystyrene (PS)  
Top Tape: PE  
Reel Tape: Polystyrene (PS)  
Bag: PE

Part Number SIM8055		Product Description Nano SIM Card Connector, Push-Pull Type, with Switch	
Drawing Date 27th November 2017		6 Pin, SMT, Profile 1.35mm	
By CC	Detail Drawing Release	Tolerances (Except as Noted) Length	Units: Metric (mm)
Revision A2	Date 20/09/19	Angle	3rd Angle Projection



This drawing is confidential and copyright of Global Connector Technology, Ltd (GCT). This drawing must not be copied or disclosed without written consent. E & OE



Not to Scale	Drawn By CC	Sheet No. 3/3
--------------	----------------	------------------