

Specification:

Material:
 Plastic Housing: LCP 30%GF, UL94V-0, Black
 Contact Terminal: Phosphor Bronze, T=0.12mm
 Cover: SUS301-H, T=0.15mm

Plating:
 Contact Terminal:
 Contact Area: 15µm Gold
 Solder area: Gold Flash
 Underplating: Ni overall 50µm min.
 Cover : Ni overall 50µm min.

Electrical:
 Voltage Rating: 30V max.
 Current Rating: 0.5A max.
 Dielectric Withstanding Voltage: 100V AC (60 Sec min. 60)
 Insulation Resistance: 1000 MΩ min.
 Contact Resistance: 100 mΩ max.

Mechanical & Environmental
 Operating Temperature: -40°C to +85°C
 Durability: 5000 cycles

Ordering Grid
SIM8050 - **6** - **0** - **14** - **XX** - **A** Request Samples and Quotation

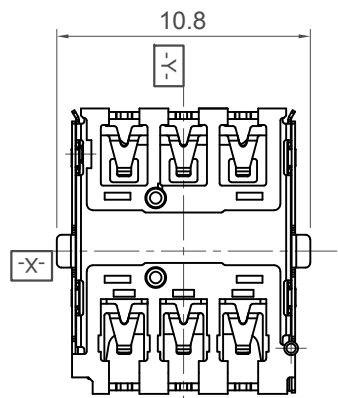
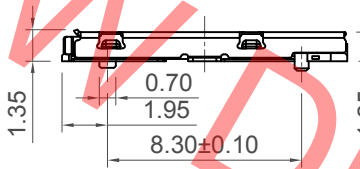
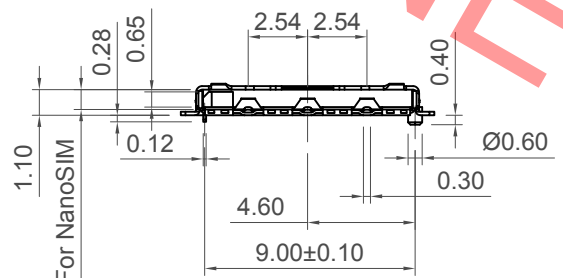
No. of Contacts
 6 = 6

Switch
 0 = Without

Profile Height (H)
 14 = 1.35mm

Packing Options
 A = Tape & Reel (1500 per Reel)

Locating Peg
 01 = With (Standard)
 00 = Without



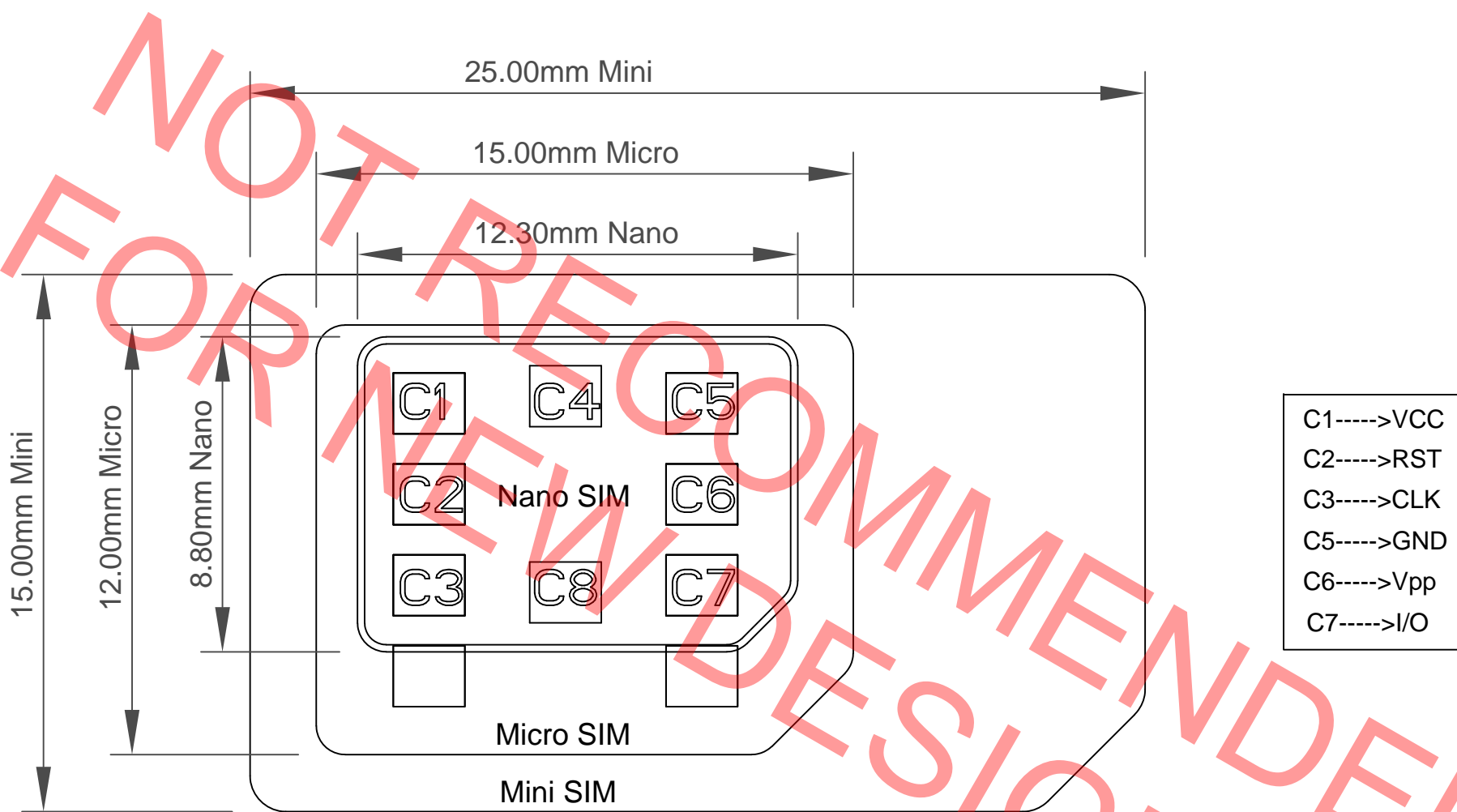
Part Number		Product Description	
SIM8050		Nano SIM Card Connector	
Drawing Date		Push-Pull Type, 6 Pin, SMT, Profile 1.35mm	
3rd June 2013			
By	CC	Tolerances (Except as Noted)	Units:
Detail	SIM8050	Length	Metric (mm)
	F PCN	X. ± 0.35	
Revision	F4	X.X ± 0.25	All ± 2°
Date	26/06/20	X.XX ± 0.15	
		X.XXX ± 0.10	



This drawing is confidential and copyright of Global Connector Technology, Ltd (GCT). This drawing must not be copied or disclosed without written consent. E & OE



Not to Scale	Drawn By AJO	Sheet No. 1/3
--------------	--------------	---------------

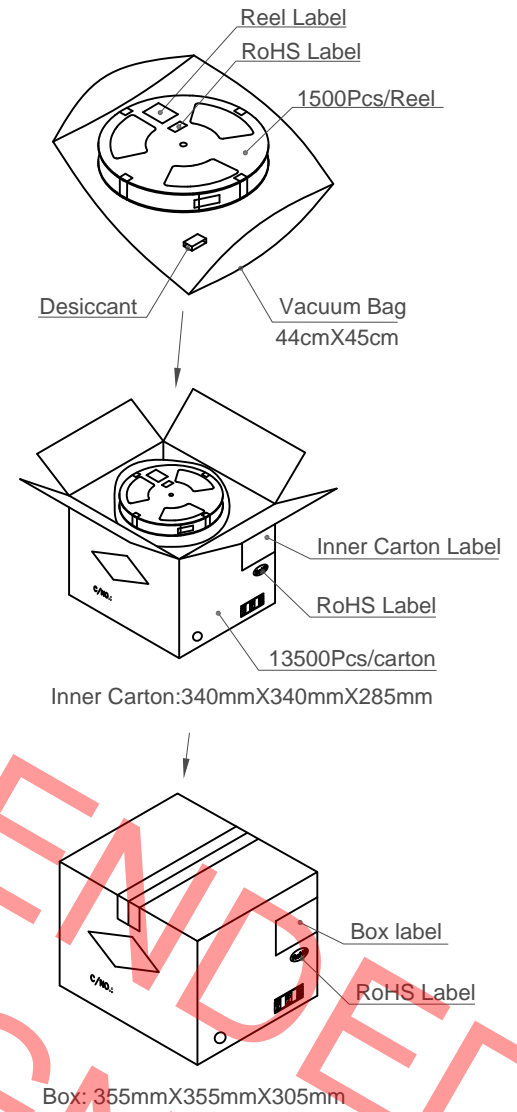
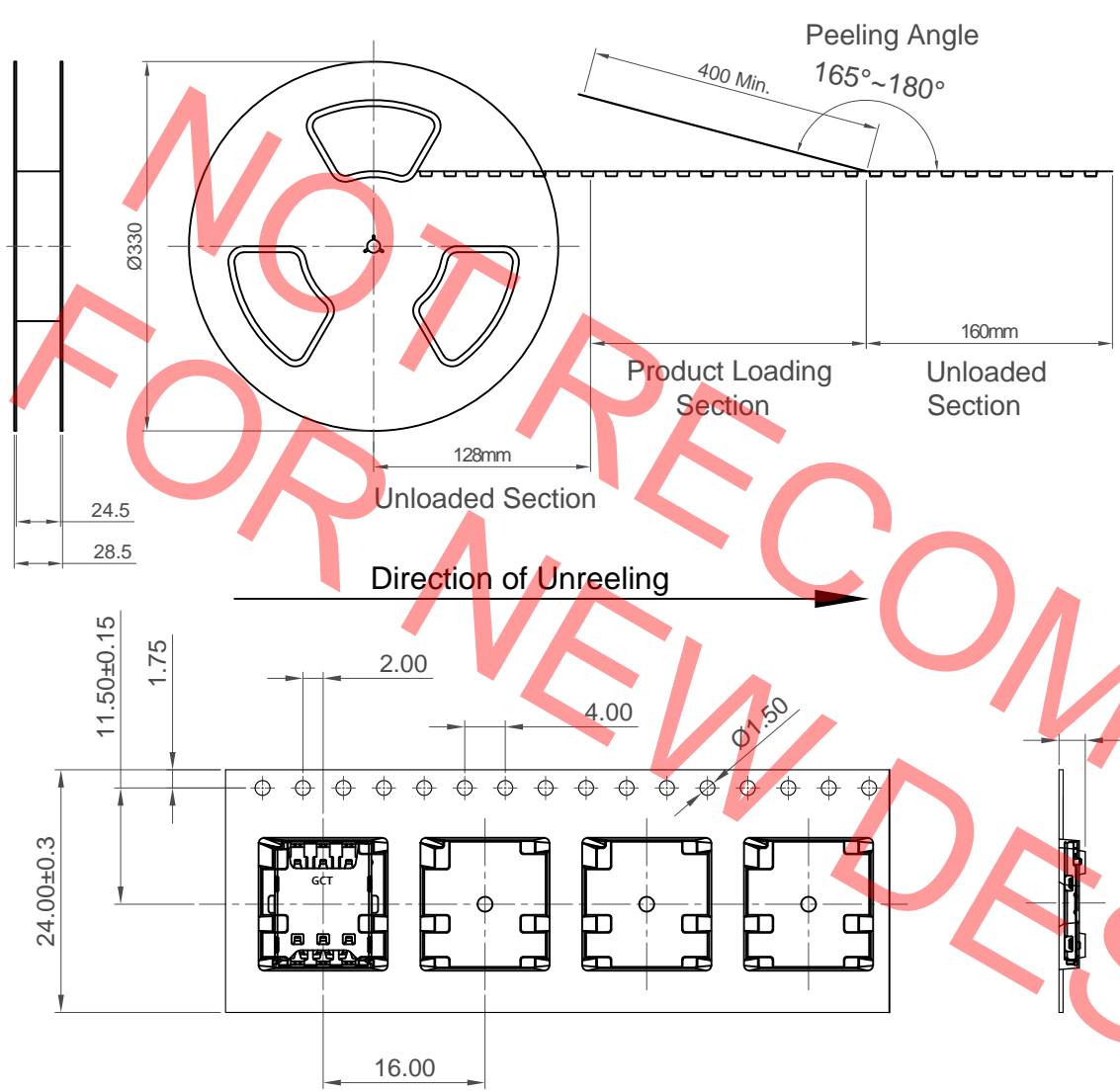


Reference

- C1----->VCC
- C2----->RST
- C3----->CLK
- C5----->GND
- C6----->Vpp
- C7----->I/O

FOR REFERENCE ONLY. NOT FOR COMMERCIAL DESIGNING

Part Number		Product Description		GCT www.gct.co
SIM8050		Nano SIM Card Connector		
Drawing Date		Push-Pull Type, 6 Pin, SMT, Profile 1.35mm		
3rd June 2013				
By	CC	Tolerances (Except as Noted)	Units:	 <small>This drawing is confidential and copyright of Global Connector Technology, Ltd (GCT). This drawing must not be copied or disclosed without written consent. E & OE</small>
Detail	SIM8050 F PCN	Length	Metric (mm)	
Revision	F4	X. ± 0.35	All ± 2° 	
Date	26/06/20	X.X ± 0.25		
		X.XX ± 0.15		
		X.XXX ± 0.10		



Notes:
 Peeling off force of top tape: 0.1-1.3N (Peeling direction as shown)

Materials:
 Carrier Tape: Polystyrene (PS)
 Top Tape: PE
 Reel Tape: Polystyrene (PS)
 Vacuum Bag: PE

Products P/N	Pcs / Reel	Reels/Carton	Reels/Carton
SIM8050	1500	9	13500

Part Number SIM8050		Product Description Nano SIM Card Connector Push-Pull Type, 6 Pin, SMT, Profile 1.35mm	
Drawing Date 3rd June 2013			
By CC	Tolerances (Except as Noted) Length	Units: Metric (mm)	
Detail SIM8050 F PCN	Angle		
Revision F4			
Date 26/06/20			



Not to Scale	Drawn By AJO	Sheet No. 3/3
--------------	-----------------	------------------