

**FEATURES**

- ※Radial taping type
- ※Variety of actuator lengths
- ※Allow automatic insertion onto PCB.

**APPLICATION**

- ※White goods , OA equipment
- ※Audio, DVD player, TV
- ※Instrumentation

**SPECIFICATION**

Contact Rating	50mA, 12V DC
Contact Resistance	100mΩ max.
Insulation Resistance	100MΩ min. 500V DC
Dielectric Strength	250V AC/1 minute
Operating Force	100±50gf, Black(K) 160±50gf, Brown(N) 260±50gf, Red(R) 320±80gf, Salmon(S) 520±130gf, Yellow(Y)
Travel	0.25mm
Operating Life	<b>Phosphor Bronze Dome</b> 50,000 cycles for 520/320gf 100,000 cycles for 260gf 200,000 cycles for 160/100gf <b>Stainless Steel Dome</b> 300,000 cycles for 520/320gf 500,000 cycles for 260gf 1,000,000 cycles for 160/100gf
Operating Temp.	-25°C ~ +70°C
Storage Temp.	-30°C ~ +80°C

**HOW TO ORDER**

**DTST-6** □ □ - □ - □

Radial Taping Type

Height:

- 1=4.30mm
- 2=5.00mm
- 3=7.00mm
- 44=7.30mm (SQ.)x2.40mm
- 48=7.30mm (SQ.)x2.80mm
- 5=9.50mm
- 6=13.00mm

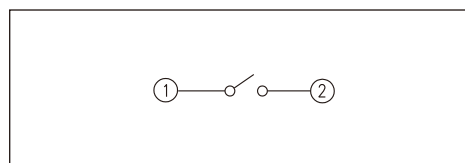
V=RoHS & Lead Free Solderable  
Q=Halogen Free

□=Phosphor Bronze Dome  
S=Stainless Steel Dome

Operating Force:

- K=Black, 100gf
- N=Brown, 160gf
- R=Red, 260gf
- S=Salmon, 320gf
- Y=Yellow, 520gf

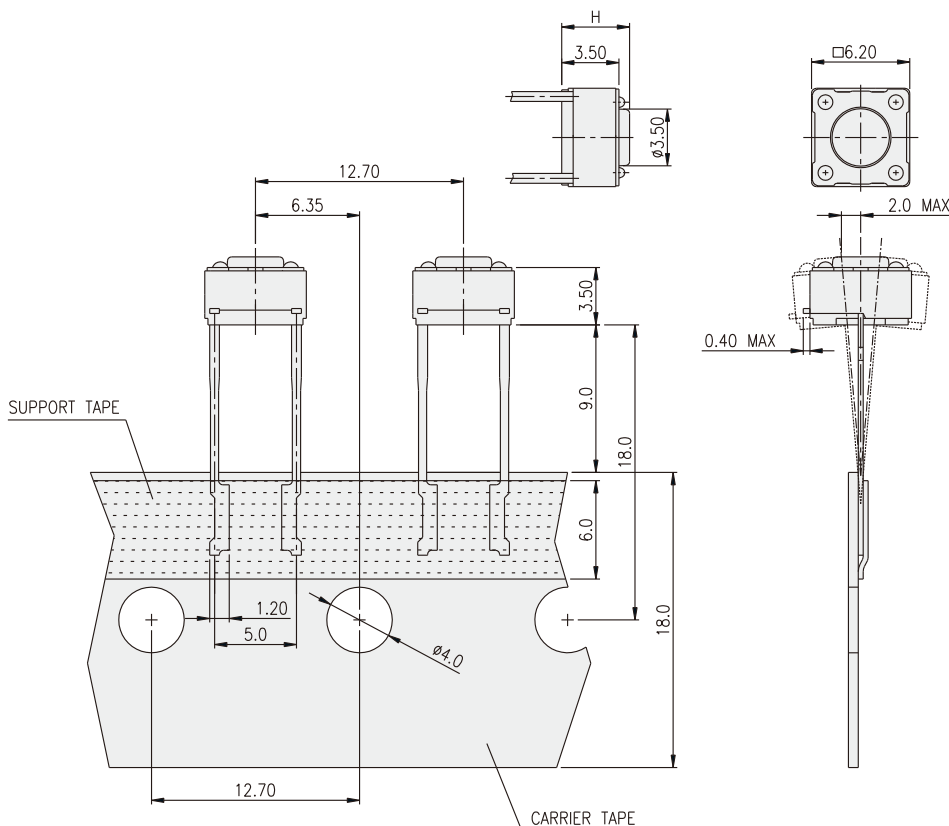
**CIRCUIT**



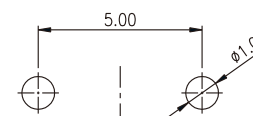
**PACKAGE**

<Box>  
900 pcs

**DTST-6**



PART NO.	H
DTST-61	4.30
DTST-62	5.00
DTST-63	7.00
DTST-644	7.30(SQ.2.40)
DTST-648	7.30(SQ.2.80)
DTST-65	9.50
DTST-66	13.00



P.C.B. LAYOUT

# Mouser Electronics

Authorized Distributor

Click to View Pricing, Inventory, Delivery & Lifecycle Information:

## Diptronics:

[DTST-66K-V](#) [DTST-63R-V](#) [DTST-61K-V](#) [DTST-65K-V](#) [DTST-66R-V](#) [DTST-65R-V](#) [DTST-63K-V](#) [DTST-62R-V](#)  
[DTST-61R-V](#) [DTST-62K-V](#) [DTST-63N-V](#) [DTST-62N-V](#) [DTST-65N-V](#) [DTST-66N-V](#) [DTST-61N-V](#) [DTST-644N-V](#)  
[DTST-648N-V](#) [DTST-65K-S-V](#)