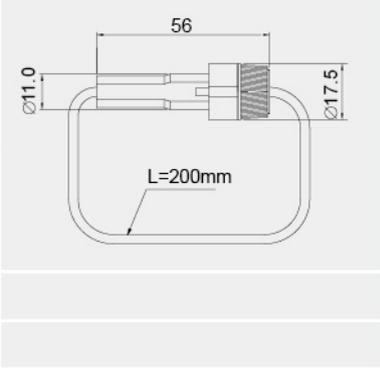


IN-LINE FUSE HOLDERS

R3-32 **A**



FUSE	RATING	WIRE GAUGE
A \varnothing 5.2*20mm	1 20A 32V DC 20A 250V AC	12AWG
B \varnothing 6.35*30mm \varnothing 6.35*31.8mm	2 15A 32V DC 15A 250V AC	14AWG

WIRE

FEATURES:

- Material:
Frame and cap: phenolic(UL flame: 94V-1).
- Wire end stripped or uncut is optional.

Mouser Electronics

Authorized Distributor

Click to View Pricing, Inventory, Delivery & Lifecycle Information:

[Shin Chin:](#)

[R3-32BA1](#)