

ZCU208 Evaluation Board User Guide

UG1410 (v1.0) July 8, 2020



Revision History

The following table shows the revision history for this document.

Section	Revision Summary
07/08/2020 Version 1.0	
Initial release.	N/A

Table of Contents

Revision History	2
Chapter 1: Introduction	5
Overview.....	5
Document Audience and Scope.....	5
Additional Resources.....	5
Block Diagram.....	6
Board Features.....	6
Board Specifications.....	10
Chapter 2: Board Setup and Configuration	11
Standard ESD Measures.....	11
Board Component Location.....	11
Default Jumper and Switch Settings.....	15
Zynq UltraScale+ RFSoc XCZU48DR.....	19
Chapter 3: Board Component Descriptions	21
Overview.....	21
Component Descriptions.....	21
Appendix A: VITA57.4 FMCP Connector Pinout	65
Appendix B: Xilinx Design Constraints	66
Overview.....	66
Appendix C: HW-XM650/655 Balun Daughter Cards for Gen 3	
RFSoc EVM	67
Overview.....	67
Block Diagram.....	68
Connector.....	69
XM650/655 Connector Pinout.....	70
CoreHC2 Connector Pin Out (XM655 Only).....	74
Features.....	75

Board Specifications.....	76
Functional Description.....	80
Appendix D: Additional Resources and Legal Notices.....	90
Xilinx Resources.....	90
Documentation Navigator and Design Hubs.....	90
References.....	90
Please Read: Important Legal Notices.....	92

Introduction

Overview

The ZCU208 is an evaluation board featuring the ZU48DR Zynq® UltraScale+™ RFSoc Gen 3 device. This board enables the evaluation of applications requiring sub-6 GHz bands for radio, mmWave, and full L-band and S-Band in phased array radar. The ZCU208 board is equipped with all the common board-level features needed for design development, such as DDR4 memory, networking interfaces, an FMC+ expansion port, as well as access to the RFMC 2.0 interface.

Document Audience and Scope

The purpose of this guide is to familiarize system architects, software developers, and hardware designers with the ZCU208 evaluation board. The ZCU208 board enables the demonstration, evaluation, and development of numerous applications.

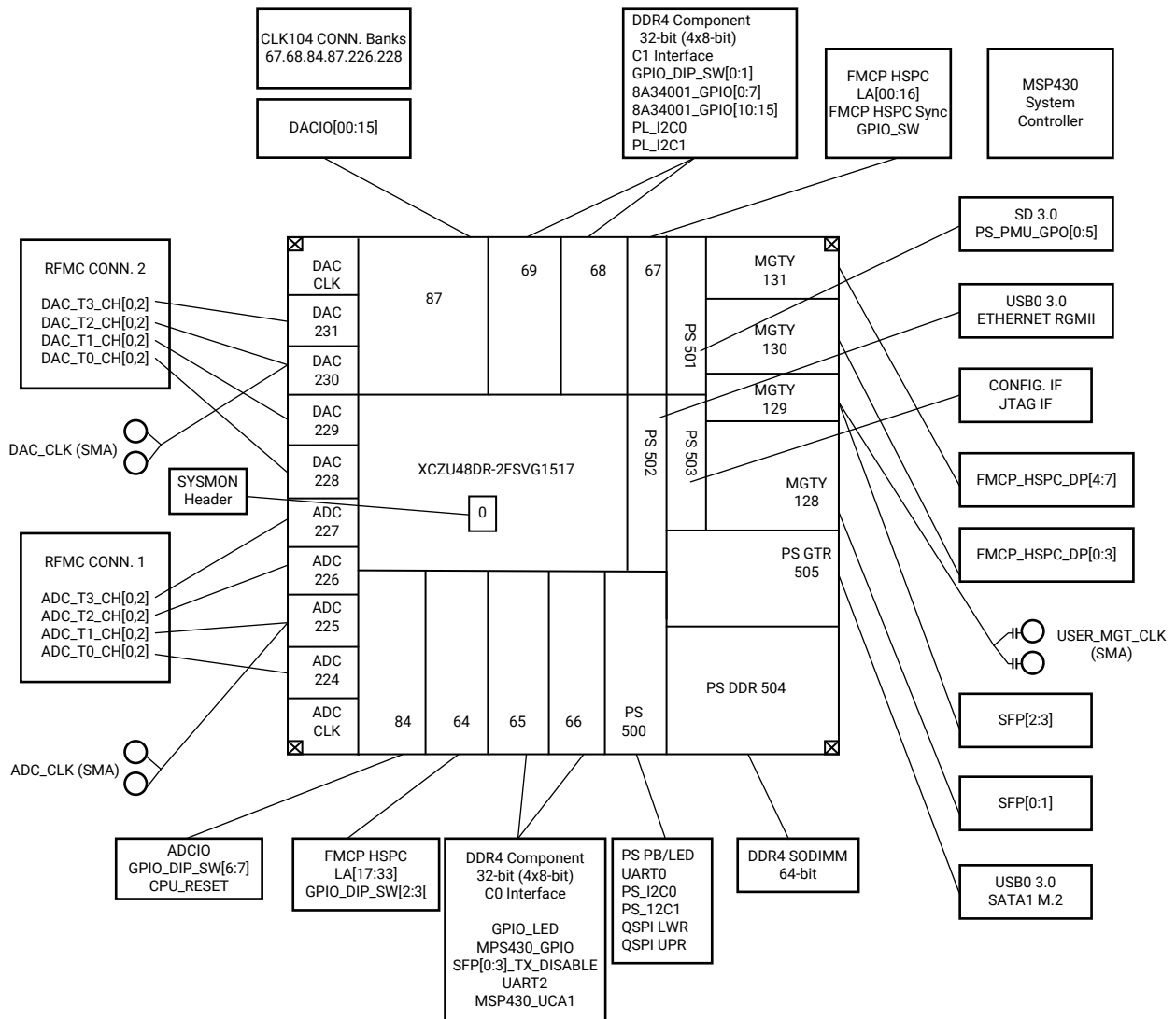
Additional Resources

See [Appendix D: Additional Resources and Legal Notices](#) for references to documents, files, and resources relevant to the ZCU208 evaluation board.

Block Diagram

A block diagram of the ZCU208 evaluation board is shown in the following figure.

Figure 1: Evaluation Board Block Diagram



X23790-040220

Board Features

The ZCU208 evaluation board features are listed here. Detailed information for each feature is provided in [Chapter 3: Board Component Descriptions](#).

- ZU48DR-2, FSVG1517 package
- Form factor: see [Board Specifications](#)
- Configuration from:
 - Dual QSPI
 - Micro-SD card
 - USB-to-JTAG bridge
 - PC4 2x7 2 mm JTAG pod flat cable header
- Clocks
 - GTR_REF_CLK_USB3 26 MHz
 - GTR_REF_CLK_SATA 125 MHz
 - CLK104 (various frequencies):
 - CLK104_PL_CLK
 - CLK104_PL_SYSREF
 - CLK104_AMS_SYSREF
 - CLK104_DDR_PLY_CAP_SYNC
 - CLK104_ADC_REFCLK
 - CLK104_DAC_REFCLK
 - 8A34001 IEEE 1588, Synchronous Ethernet (SyncE), and eCPRI clock (various frequencies):
 - 8A34001_Q1_OUT
 - 8A34001_Q2_OUT
 - 8A34001_Q3_OUT
 - 8A34001_Q7_OUT
 - 8A34001_Q8_OUT
 - 8A34001_Q11_OUT
 - CLK_100 100 MHz
 - CLK_125 125 MHz
 - PS_REF_CLK 33.33 MHz
 - USER_MGT_SI570 (default 156.25 MHz)
 - USER_SI570_C0 (default 300 MHz)
 - USER_SI570_C1 (default 300 MHz)

- ADC_CLK_225 (direct connect SMAs)
- DAC_CLK_230 (direct connect SMAs)
- USER_MGT_SMA_CLK (series capacitor connected SMAs)
- PS DDR4 4 GB 64-bit SODIMM
- PL DDR4 C0 I/F 2 GB 32-bit component (4x8-bit)
- PS GTR (bank 505) assignment
 - USB3 (1 GTR)
 - SATA with M2 connector (1 GTR)
 - 2 GTRs not used
- PL GTY assignment (4 quads, 16 total GTY)
 - zSFP+ (4 GTY, 2 on quad GTY128 and 2 on quad GTY129)
 - 8A34001 (1 GTY, quad GTY128)
 - Carlisle CoreHC2 J128 (1 GTY, quad GTY129)
 - FMCP HSCP DP (4 GTY, bank GTY130)
 - FMCP HSCP DP (4 GTY, bank GTY131)
 - 1 GTY not used (quad GTY128)
 - 1 GTY not used (quad GTY129)
- PL FMCP HSCP (FMC+) connectivity - full LA[00:33] bus
- PS MIO connectivity
 - PS MIO[0:5, 7:12]: dual QSPI
 - PS MIO[13]: PS_GPIO2
 - PS MIO[14:17]: 2 channels of I2C
 - PS MIO[18:19]: UART0 (1 of 3 FT4232 UART channels)
 - PS MIO[22:23]: PS_PB, PS_LED I/F
 - PS MIO[26]: PMU
 - PS MIO[32:37]: PMU_GPO[0:5]
 - PS MIO[38]: PS_GPIO1
 - PS MIO[40:42, 45:51]: SD I/F
 - PS MIO[52:63]: USB3.0

- PS MIO[64:77]: Ethernet RGMII
- PL I/O connections
 - PL user DIP switch (8-position)
 - PL user pushbuttons (5, geographic N, S, E, W, C)
 - PL CPU reset pushbutton
 - PL user green LEDs (24)
- Security—PSBATT button battery backup
- SYSMON header
- Operational switches (power on/off, PS_PROG_B, boot mode DIP switch)
- Operational status LEDs (INIT, DONE, PS STATUS, PGOOD)
- Power management
- System controller (MSP430)

The ZCU208 provides a rapid prototyping platform that uses the XCZU48DR-2FSVG1517 device. The ZU48DR contains many useful processor system (PS) hard block peripherals exposed through the multi-use I/O (MIO) interface and a variety of FPGA programmable logic. The following table lists a brief summary of the resources available within the ZU48DR. Feature set overview, description, and ordering information is provided in the *Zynq UltraScale+ RFSoc Data Sheet: Overview* ([DS889](#)).

Table 1: Zynq UltraScale+ RFSoc ZU48DR Features and Resources

Feature	Resource Count
SD-FEC	8
14-bit 5.0 GSPS ADC RF-DAC with DDC	8
14-bit 10 GSPS RF-DAC with DUC	8
APU: Quad-core Arm® Cortex™-A53 MPCore with CoreSight™	1
RTPU: Dual-core Arm® Cortex™-R5F MPCore with CoreSight	1
HD I/O	96
HP I/O	312
MIO banks	3 banks, total of 78 pins
PS GTR 6 Gb/s transceivers	4 PS-GTRs
PL GTY 28 Gb/s transceivers	16 GTYs
System logic cells	930, 300
CLB flip-flops	850, 560
CLB LUTs	425, 280
Maximum distributed RAM (Mb)	13.0
Block RAM blocks	1080 (38 Mb)

Table 1: Zynq UltraScale+ RFSoc ZU48DR Features and Resources (cont'd)

Feature	Resource Count
UltraRAM blocks	80 (22.5 Mb)
DSP slices	4,272
PCIe® Gen3 x16 / Gen4 x8 / CCIX (3)	2
150G Interlaken	1
100G Ethernet with RS-FEC	2

Board Specifications

Dimensions

Height: 12.225 inches (31.05 cm)

Width: 10.675 inches (27.11 cm)

Thickness: 0.119 inches (0.302 cm)

Note: A 3D model of this board is not available.

See the [ZCU208 Evaluation Board website](#) for the XDC listing and board schematics.

Environmental

- **Temperature:**

Operating: 0°C to +45°C

Storage: -25°C to +60°C

- **Humidity:** 10% to 90% non-condensing

Operating Voltage

+12 V_{DC}

Board Setup and Configuration

Standard ESD Measures



CAUTION! ESD can damage electronic components when they are improperly handled, and can result in total or intermittent failures. Always follow ESD-prevention procedures when removing and replacing components.

To prevent ESD damage:

- Attach a wrist strap to an unpainted metal surface of your hardware to prevent electrostatic discharge from damaging your hardware.
- When you are using a wrist strap, follow all electrical safety procedures. A wrist strap is for static control. It does not increase or decrease your risk of receiving electric shock when you are using or working on electrical equipment.
- If you do not have a wrist strap, before you remove the product from ESD packaging and installing or replacing hardware, touch an unpainted metal surface of the system for a minimum of five seconds.
- Do not remove the device from the antistatic bag until you are ready to install the device in the system.
- With the device still in its antistatic bag, touch it to the metal frame of the system.
- Grasp cards and boards by the edges. Avoid touching the components and gold connectors on the adapter.
- If you need to lay the device down while it is out of the antistatic bag, lay it on the antistatic bag. Before you pick it up again, touch the antistatic bag and the metal frame of the system at the same time.
- Handle the devices carefully to prevent permanent damage.

Board Component Location

The following figure shows the ZCU208 board component locations. Each numbered component shown in the figure is keyed to [Table 2](#).



IMPORTANT! The following figure is for visual reference only and might not reflect the current revision of the board.

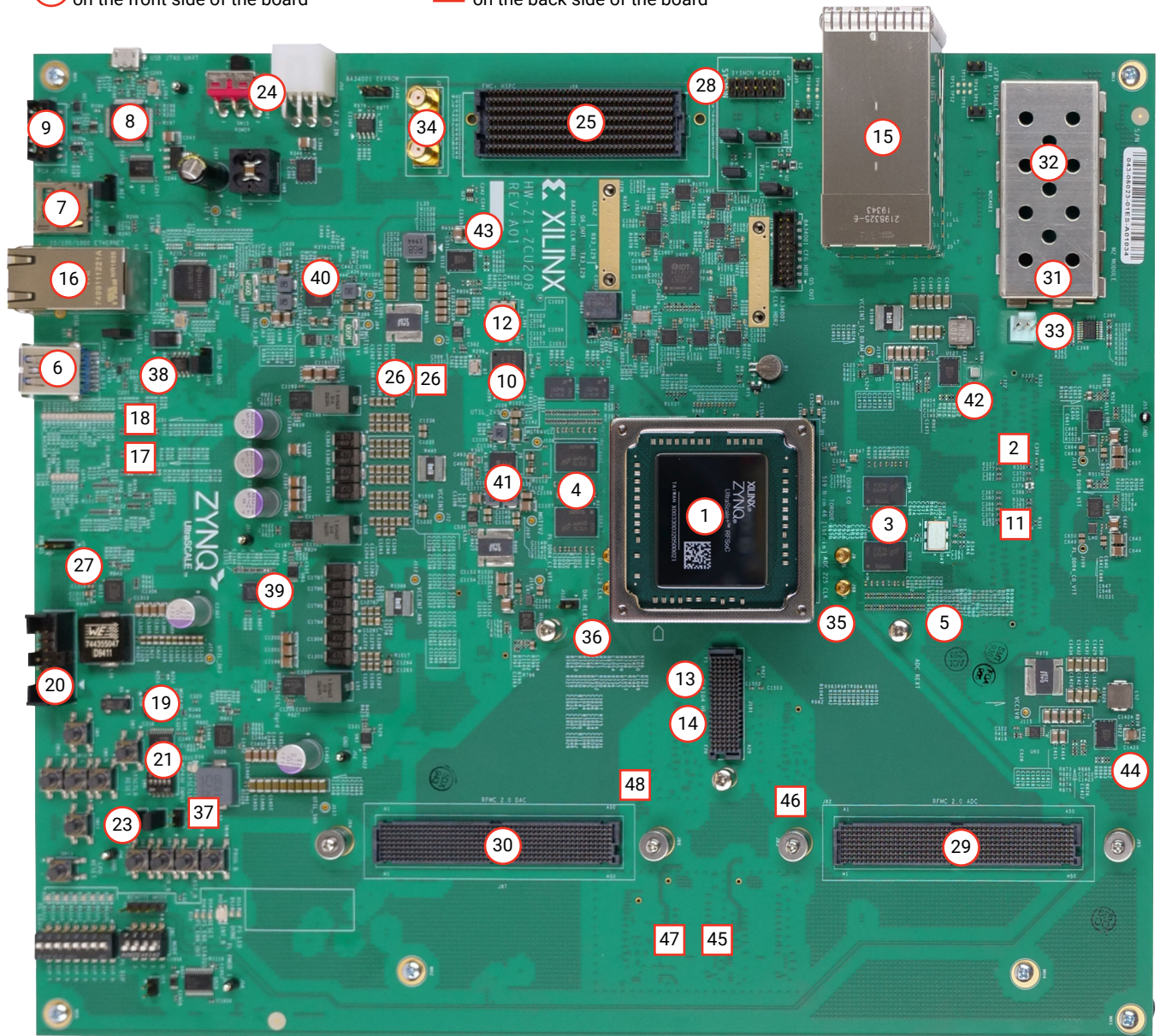


IMPORTANT! There could be multiple revisions of this board. The specific details concerning the differences between revisions are not captured in this document. This document is not intended to be a reference design guide and the information herein should not be used as such. Always refer to the schematic, layout, and XDC files of the specific ZCU208 version of interest for such details.

Figure 2: ZCU208 Component Locations

00 Round callout references a component on the front side of the board

00 Square callout references a component on the back side of the board



X23771-062520

Board Component Descriptions

The following table identifies the components and references the respective schematic (038-05023-01) page numbers.

Table 2: ZCU208 Board Component Locations

Callout	Ref. Des.	Feature [B]=Bottom	Notes	Schematic Page
1	U1	Zynq® UltraScale+™ RFSoc fansink	XCZU48DR-2FSVG1517 COFAN 30-4988-10	
2	J48	DDR4 SODIMM socket with 64-bit DDR4 SODIMM	OTES ADDR0067-P001A with MICRON MTA4ATF51264HZ-2G6E1 Note: J48 is bottomside.	43
3	U96-U99	DDR4 C0 4x8-bit clamshell component memory (4 GB)	Micron MT40A1G8SA-075 Note: U96 and U97 are bottomside.	68-71
4	U100-U103	DDR4 C1 4x8-bit clamshell component memory (4 GB)	Micron MT40A1G8SA-075 Note: U102 and U103 are bottomside.	72-75
5	U11, U12	Dual Quad SPI flash memory (4 Gb total)	Micron MT25QU02CBB8E12-0SIT	23
6	U6, J18	USB 3 ULPI transceiver [B], USB Micro-AB connector	SMSC USB3320-EZK, WURTH 692122030100	22
7	J23	SD card interface connector	Hirose DMIAA-SF-PET(21)	26
8	U29, J24	Quad USB_UART, USB micro-B connector	FTDI FT4232Hx-REEL, Hirose ZX62D-AB-5P8	27
9	J25	JTAG 2 mm 2x7 flat-cable connector	Molex 87832-1420	27
10	U43	Fixed frequency clock gen. [B]	Silicon Labs SI5341B-D07833-GM	39
11	U47 (C0), U130 (C1)	User Clock, 300 MHz, 3.3V LVDS [B]	Silicon Labs SI570BAB001614DG	45
12	U48	User MGT Clock, 156.250 MHz, 3.3V LVDS	Silicon Labs SI570BAB000544DG	45
13	External	SFP jitter attenuated clock	CLK104 module function (J101)	67
14	J101	CLK104 module connector	Samtec LPAF-20-03.0-L-06-2-K-TR	67
15	J29	Quad zSFP/zSFP+ connector	TE connectivity/AMP 2198325-5	36
16	U33, P1	10/100/1000 MHz Ethernet PHY, RJ45 with magnetics	TI DP83867IRPAP, Wurth 7499111221A	28
17	U17, U15	I2C0 bus switch, expander [B]	TI PCA9544ARGYR, TI TCA6416APWR	24
18	U20, U22	I2C1 bus switches [B]	2 ea. TI TCA9548APWR	25
19	U38	System controller (SC)	TI MSP430F5342	30
20	J24	MSP430 SC emulation cable connector	TYCO 5103308-2	30
21	SW6, SW7	System controller 5-pole DIP switch and reset PB switch	5-pole C&K SDA05H1SBD, E-Switch TL3301EP100QG	30

Table 2: ZCU208 Board Component Locations (cont'd)

Callout	Ref. Des.	Feature [B]=Bottom	Notes	Schematic Page
23	SW8-SW12	User pushbutton switches, active-High	E-switch TL3301EP100QG (N,W,C,E,S pattern)	40
	SW14	User 8-pole DIP switch, active-High	C&K SDA08H1SBD	40
	SW13	CPU_RESET pushbutton, active-High	E-switch TL3301EP100QG	40
	DS54-DS61	Eight single color LEDs, active-High	PL GPIO LEDs, Rohm SMLP36RGB2W3R	41
	SW1	PS (MIO22) pushbutton	E-switch TL3301EP100QG	11
	SW3	PS_PROG pushbutton	E-switch TL3301EP100QG	12
	SW4, SW5	PS_POR_B, PS_SRST_B pushbuttons	E-switch TL3301EP100QG	12
	J15	2-PIN HDR PS_POR_B	SULLINS PBC02SAAN	12
	J16	2-PIN HDR PS_SRST_B	SULLINS PBC02SAAN	12
	J17	2-PIN HDR MR_B (U5 RST)	SULLINS PBC02SAAN	12
24	SW15	Power ON/OFF slide switch	C&K 1201M2S3AQE2	46
	J50	Power connector	MOLEX 39-30-1060	46
25	J28	FMCP HSPEC connector	Samtec ASP_184329_01	31-35
26	-	Power management system (top, [B])	Infineon voltage regulators	47-63
27	J21	PMBUS connector	SULLINS PBC03SAAN	24
23	SW2	FPGA MODE 4-pole DIP switch	4-pole C and K SDA04H1SBD	12
28	J5	SYSMON 2X6 vertical male pin header	SULLINS PBC06DAAN	3
29	J82	RFMC 2.0 connector 1	Samtec LPAF-50-030-L-08-2-K-TR	64
30	J87	RFMC 2.0 connector 2	Samtec LPAF-50-030-L-08-2-K-TR	65
31	U36	SATA M.2 connector	Amphenol MDT420M02001	29
32	M2CAGE1	M.2 conn. EMI cage	Leader Tech 20S-CBSFNSV-1.0x2.25x0.40	29
33	U50	Fan controller	Maxim MAX6643LBBAEE++	46
	J57	Fan header (keyed 3-pin)	Molex 22-11-2032	46
34	J6, J7	SMA USER_SMA_MGT_CLOCK	Rosenberger 32K10K-400L5	8
35	J8, J98	ADC clock connectors	CARLISLE TM14-0084-00	9
36	J99, J100	DAC clock connectors	CARLISLE TM14-0084-00	10
37	U5	PWR-ON reset IC [B]	Maxim MAX16025TE+	12
38	U7	USB3 power switch	Micrel MIC2544A-1YM	22
	J20	USB 3.0 J18 shield header	SULLINS PBC03SAAN	22
	J19	VBUS_SEL option header	SULLINS PBC052AAN	22
39	U104	INFINEON PMIC1	Infineon IR35215MTRPBF	47
40	U53	INFINEON PMIC2	Infineon IRPS5401MXI04TRP	50
41	U55	INFINEON PMIC3	Infineon IRPS5401MXI04TRP	52
42	U127	VCCINT PS/block RAM 18A regulator	Infineon IR38164	53
43	U112	MGTAVCC 4A regulator	Infineon IR38164	54
44	U123	VCC1V8 8A regulator	Infineon IR38164	55

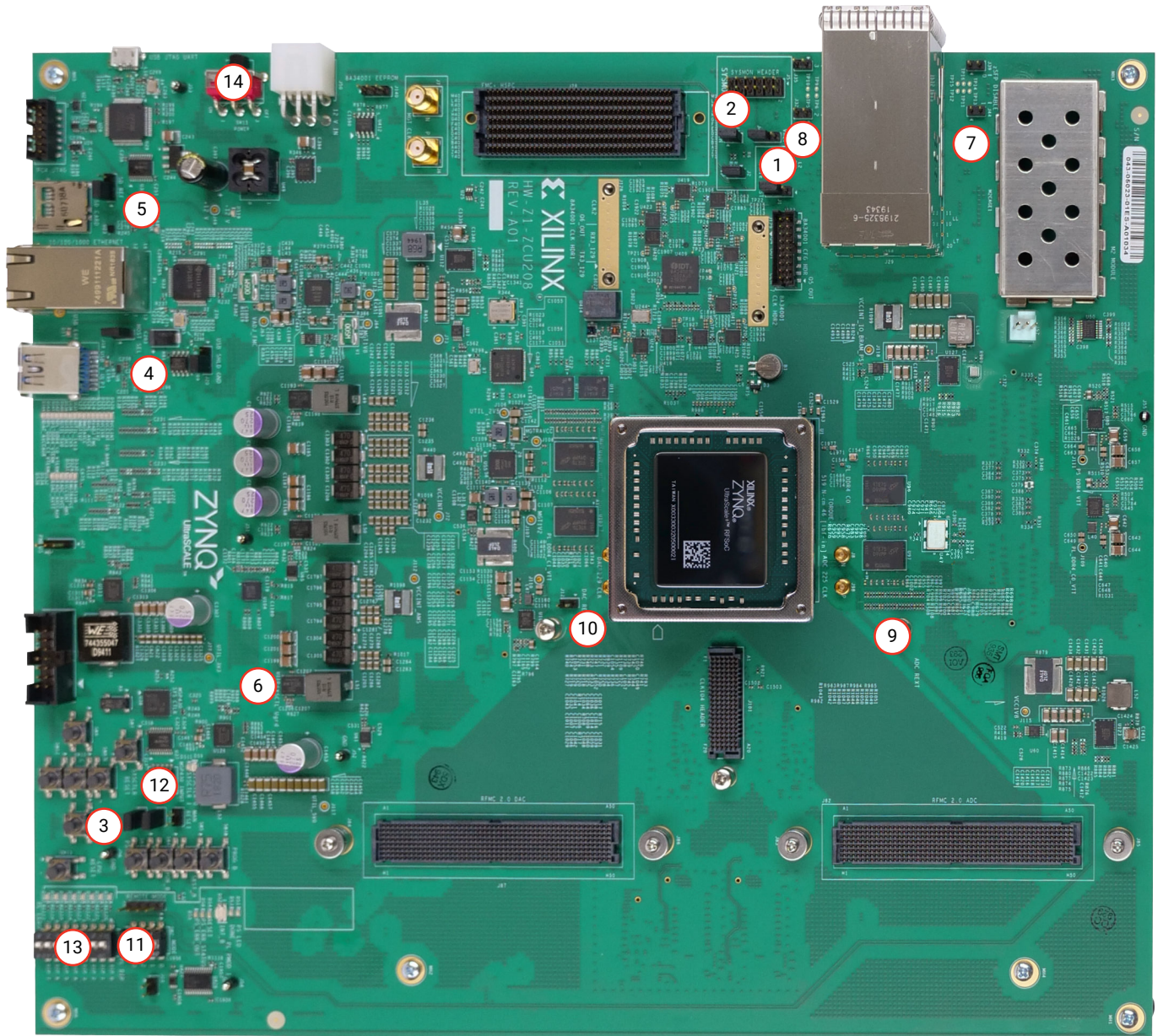
Table 2: ZCU208 Board Component Locations (cont'd)

Callout	Ref. Des.	Feature [B]=Bottom	Notes	Schematic Page
45	U115, U116	ADC/DAC AVCC regulators [B]	MPS MPM3683-7	56
46	U114	ADC AVCCAUX 2A regulator [B]	MPS MPM3833C	57
47	U125	DAC AVCCAUX regulator [B]	MPS MPM3833C	58
48	U118	DAC AVTT regulator [B]	MPS MPM3833C	58

Default Jumper and Switch Settings

The following figure shows the ZCU208 board jumper header and switch locations. Each numbered component shown in the figure is keyed to the applicable table in this section. Both tables reference the respective schematic page numbers.

Figure 3: Board Jumper Header and Switch Locations



X23508-062520

Jumpers

The following table lists the default jumper settings.

Table 3: Default Jumper Settings

Callout	Reference Design	Function	Default	Schematic Page
1	J1	POR_OVERRIDE	2-3	3
		1-2: Enable		
		2-3: Disable		
2	J2	SYSMON I2C Address	ON	3
		OFF: SYSMON_VP_R floating		
		ON: SYSMON_VP_P pulled down		
	J3	SYSMON I2C Address	ON	3
		OFF: SYSMON_VN_R floating		
		ON: SYSMON_VP_N pulled down		
J4	SYSMON VREFP	1-2	3	
	1-2: 1.25V VREFP connected to fpga			
	2-3: VREFP connected to GND			
3	J15	Reset Sequencer PS_POR_B	ON	12
		OFF: Sequencer does not control PS_POR_B		
		ON: Sequencer can control PS_POR_B		
	J16	Reset Sequencer PS_SRST_B	ON	12
		OFF: Sequencer does not control PS_SRST_B		
		ON: Sequencer can control PS_SRST_B		
J17	Reset Sequencer inhibit	OFF	12	
	OFF: Sequencer normal operation			
	ON: Sequencer inhibit (resets will stay asserted)			
4		ULPI USB3320 U6 ULPIO_VBUS_SEL option jumper	OFF	22
	J19	ON: Selects U17 MIC2544A switch 5V for VBUS		
		OFF: Normal operation, VBUS from J18 USB3.0 conn.		
	J20	USB 3.0 Connector J18 Shield connection options	2-3	22
1-2: J20 shield capacitor C171 to GND				
2-3: J20 shield directly to GND				
5	J22	SD3.0 U107 IP4856CX25 level-trans. ref. voltage select	1-2	26
		1-2: Track SD3.0 J12 socket UTIL_3V3 3.3V		
		2-3: GND = revert to internal voltage reference		

Table 3: Default Jumper Settings (cont'd)

Callout	Reference Design	Function	Default	Schematic Page
7	J39	zSFP0 J29 LT enable jumper	OFF	38
		ON: zSFP0 TX_DISABLE = GND = enabled		
		OFF: zSFP0 TX_DISABLE = high = disabled		
	J44	zSFP1 J29 LL enable jumper	OFF	38
		ON: zSFP1 TX_DISABLE = GND = enabled		
		OFF: zSFP1 TX_DISABLE = high = disabled		
8	J32	zSFP2 J29 RT enable jumper	OFF	38
		ON: zSFP2 TX_DISABLE = GND = enabled		
		OFF: zSFP2 TX_DISABLE = high = disabled		
	J35	zSFP3 J29 RL enable jumper	OFF	38
		ON: zSFP3 TX_DISABLE = GND = enabled		
		OFF: zSFP3 TX_DISABLE = high = disabled		
9	J10	ZU48DR RFSoc U1 ADC Bank 224 ADC_REXT select	OFF	9
		ON: Bank 224 ADC_REXT pin AF9 = GND		
		OFF: Bank 224 ADC_REXT pin AF9 = 2.49K to GND		
10	J12	ZU48DR RFSoc U1 DAC Bank 228 DAC_REXT select	OFF	10
		ON: Bank 228 DAC_REXT pin U9 = GND		
		OFF: Bank 228 DAC_REXT pin U9 = 2.49K to GND		

Switches

The following table lists the default switch settings.

Table 4: Default Switch Settings

Callout	Reference Design	Function	Default	Schematic Page
11	SW2	RFSoc U1 mode 4-pole DIP switch	0010	12
		Switch OFF = 1 = High; ON = 0 = Low		
		Mode = SW1[4:1] = Mode[3:0]		
		JTAG = ON,ON,ON,ON = 0000		
		QSPI32 = ON,ON,OFF,ON = 0010		
		SD = OFF,OFF,OFF,ON = 1110		
12	SW6	MSP432 U38 5-pole GPIO DIP switch	11111	30
		Switch OFF = 1 = High; ON = 0 = Low		
13	SW14	GPIO 8-pole DIP switch	00000000	40
		Switch OFF = 0 = Low; ON = 1 = High		
14	SW15	Main power slide switch	OFF	46



CAUTION! Do NOT plug a PC ATX power supply 6-pin connector into the ZCU208 board power connector J50. The ATX 6-pin connector has a different pinout than J50. Connecting an ATX 6-pin connector into J50 damages the ZCU208 board and voids the board warranty.

See [Power On/Off Slide Switch](#) for more information.

Zynq UltraScale+ RFSoc XCZU48DR

Zynq UltraScale+ RFSoc ZU48DR uses a multi-stage boot process documented in the Boot and Configuration chapter of the *Zynq UltraScale+ Device Technical Reference Manual* ([UG1085](#)).

Switch SW2 configuration option settings are identified in the following table.

Table 5: Mode Switch SW2 Configuration Option Settings

Mode	Mode Pins [3:0]	Mode SW2 [4:1] ²
JTAG	0000	ON,ON,ON,ON
QSPI32	0010 ¹	ON,ON,OFF,ON
SD	1110	OFF,OFF,OFF,ON

Notes:

1. Default switch setting.
2. Switch OFF = 1 = High; ON = 0 = Low. See callout 11 in [Table 4](#).

JTAG

Vivado® Design Suite or third-party tools can establish a JTAG connection to the Zynq UltraScale+ RFSoc through the FTDI FT4232 USB-to-JTAG/USB UART device (U29) connected to micro-USB connector (J24).

QSPI

Use the following steps to boot from the dual QSPI non-volatile configuration memory.

1. Store a valid Zynq UltraScale+ RFSoc boot image into the QSPI flash devices (U11, U12, MIO[0:12] QSPI interface).
2. Set the boot mode pins SW2 [4:1] as indicated in the table above for QSPI32.
3. Either power-cycle or press the power-on reset (POR) pushbutton. SW2 is callout 11 in [Figure 3](#).

SD

Use the following steps to boot from an SD card.

1. Store a valid Zynq UltraScale+ RFSoc boot image file onto an SD card (plugged into SD socket J23) connected to the MIO[39:51] SD interface.
2. Set the boot mode pins SW3 [4:1] as indicated in the table above for SD.
3. Either power-cycle or press the power-on reset (POR) pushbutton. SW2 is callout 11 in [Figure 3](#).

See the *Zynq UltraScale+ Device Technical Reference Manual* ([UG1085](#)) for more information about Zynq UltraScale+ RFSoc configuration options.

Board Component Descriptions

Overview

This chapter provides a description of the board's components and features. [Table 2](#) identifies the components and references the respective schematic page numbers. Component locations are shown in [Figure 2](#).

Component Descriptions

Zynq UltraScale+ RFSoc XCZU48DR

[[Figure 2](#), callout 1]

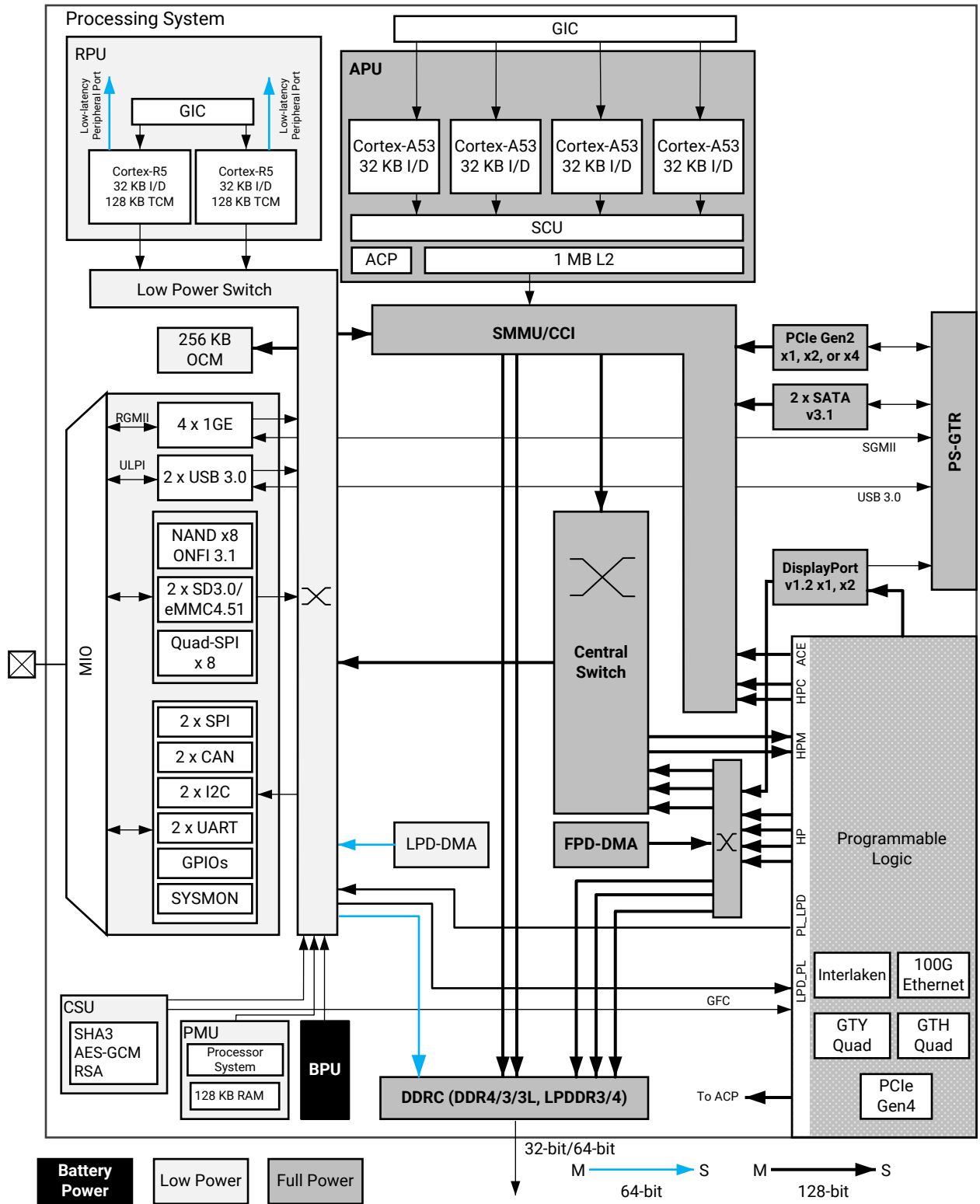
The ZCU208 board is populated with the Zynq[®] UltraScale+[™] RFSoc XCZU48DR-2FSVG1517, which combines a powerful processing system (PS) and user-programmable logic (PL) in the same device. The processing system in a Zynq[®] UltraScale+[™] RFSoc features the Arm[®] flagship Cortex[™]-A53 64-bit quad-core processor and Cortex[™]-R5F dual-core real-time processor.

The V_{CCINT} supplies are user adjustable through the PMBus with the voltage ranges to support whichever Zynq UltraScale+ RFSoc speed grade is on the evaluation board. See the *Zynq UltraScale+ RFSoc Data Sheet: DC and AC Switching Characteristics* ([DS926](#)) for more information.

Top-level Block Diagram

The following figure shows the top-level block diagram for the Zynq UltraScale+ RFSoc.

Figure 4: Zynq UltraScale+ RFSoc Top-level Block Diagram



X23642-033020

The Zynq UltraScale+ RFSoc PS block has three major processing units:

- Cortex-A53 application processing unit (APU)-ARM v8 architecture-based 64-bit quad-core multiprocessing CPU.
- Cortex-R5F real-time processing unit (RPU)-ARM v7 architecture-based 32-bit dual real-time processing unit with dedicated tightly coupled memory (TCM).
- Mali-400 graphics processing unit (GPU)-graphics processing unit with pixel and geometry processor and 64 KB L2 cache.

The Zynq UltraScale+ RFSoc PS has four high-speed serial I/O (HSSIO) interfaces supporting the following protocols:

- Integrated block for PCI Express® interface-PCIe® base specification version 2.1 compliant.
- SATA 3.1 specification compliant interface.
- USB 3.0 interface-compliant to USB 3.0 specification implementing a 5 Gb/s line rate.
- Serial GMII interface-supports a 1 Gb/s SGMII interface.

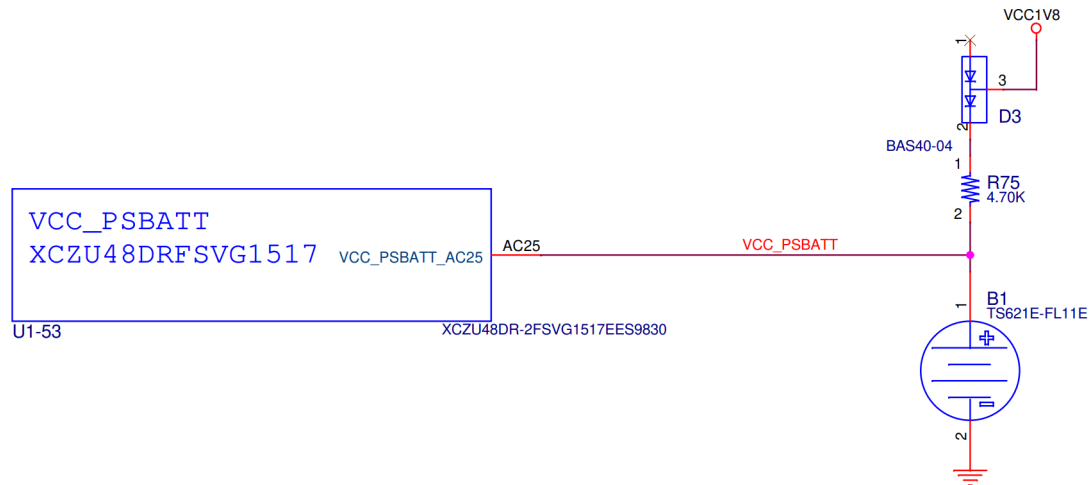
The PS and PL can be coupled with multiple interfaces and other signals to effectively integrate user-created hardware accelerators and other functions in the PL logic that are accessible to the processors. They can also access memory resources in the processing system. The PS I/O peripherals, including the static/flash memory interfaces share a multiplexed I/O (MIO) of up to 78 MIO pins. Zynq UltraScale+ RFSocCs can also use the I/O in the PL domain for many of the PS I/O peripherals. This is done through an extended multiplexed I/O interface (EMIO) and boots at power-up or reset.

For additional information on Zynq UltraScale+ RFSoc, see the *Zynq UltraScale+ RFSoc Data Sheet: Overview* ([DS889](#)) and the *Zynq UltraScale+ Device Technical Reference Manual* ([UG1085](#)) for more information about configuration options for the Zynq UltraScale+ RFSoc.

Encryption Key Battery Backup Circuit

The Zynq UltraScale+ RFSoc ZU48DR U1 implements bit stream encryption key technology. The ZCU208 board provides the encryption key backup battery circuit shown in the figure below.

Figure 5: Encryption Key Battery Backup Circuit



The Seiko TS621E rechargeable 1.5V lithium button-type battery B1 is soldered to the board with the positive output connected to the ZU48DR RFSoc U1 VCC_PSBATT pin AE29. The battery supply current IBATT specification is 150 nA maximum when board power is off. B1 is charged from the VCC1V8 1.8V rail through a series diode with a typical forward voltage drop of 0.38V and 4.7 Ω K current limit resistor. The nominal charging voltage is 1.42V.

I/O Voltage Rails

The ZU48DR RFSoc PL I/O bank voltages on the ZCU208 board are listed in the following table.

Table 6: I/O Voltage Rails

ZU48DR	Power Net Name	Voltage	Connected To
PL Bank 64	VCC1V2	1.2V	PL_C0_DDR4_DQ[0:31]
PL Bank 65	VCC1V2	1.2V	PL_C0_DDR4_ADDR/CTL, SYSMON_SDA/SCL, MSP430_GPIO[0:3]
PL Bank 66	VADJ_FMC ¹	1.8V	FMCP_HSPC LA BUS [17:33]
PL Bank 67	VADJ_FMC ¹	1.8V	FMCP_HSPC LA BUS [00:16]
PL Bank 68	VCCIV2	1.2V	PL_C1_DDR4_DQ[0:31]
PL Bank 69	VCC1V2	1.2V	PL_C1_DDR4_ADDR/CTL, 8A34001_GPIO[0:15]
PL Bank 84	VCC1V8	1.8V	ADCIO[00:15], GPIO_DIP_SW[0:7]
PL Bank 87	VCC1V8	1.8V	DACIO[0:15]
PL Bank 88	VCC1V8	1.8V	SFP[0:3]_TX_DISABLE_B, CPU_RESET
PL Bank 89	VCC1V8	1.8V	UART2, PL_I2C0/1, CLK104 I/F, CLK_100, GPIO_SW[N,W,C,E,S]
PS Bank 500	VCC1V8	1.8V	QSPI LWR/UPR, PS_GPIO2, MIO_I2C0/1, UART0, MIO_LED/PB
PS Bank 501	VCC1V8	1.8V	PMU_INPUT, PMU_GPO[0:5], SDIO I/F, PS_GPIO1
PS Bank 502	VCC1V8	1.8V	USB (3.0) I/F, ENET I/F

Table 6: I/O Voltage Rails (cont'd)

ZU48DR	Power Net Name	Voltage	Connected To
PS Bank 503	VCC1V8	1.8V	PS CONFIG I/F
PS Bank 504	VCC1V2	1.2V	PS_DDR4_SODIMM (64-BIT) I/F

Notes:

- The ZCU208 board is shipped with VADJ_FMC set to 1.8V by the MSP430 system controller.

PS DDR4 SODIMM Socket

[Figure 2, callout 2]

The PS-side memory is wired to the Zynq UltraScale+ RFSoc DDRC Bank 504 hard memory controller. A 64-bit single rank DDR4 SODIMM is inserted into socket J48. The ZCU208 is shipped with a DDR4 SODIMM installed:

- Manufacturer: Micron
- Part Number: MTA4ATF51264HZ-2G6E1
- Description:
 - 4 GByte DDR4 260-Pin SODIMM
 - Single Rank (x 16-bit components)
 - 512 Mb x 64-bit
 - 2666 MT/s

The ZCU208 ZU48DR RFSoc (ZU48DR supports 2400MT/s) PS DDR interface performance is documented in the *Zynq UltraScale+ RFSoc Data Sheet: DC and AC Switching Characteristics (DS926)*.

The ZCU208 DDR4 SODIMM interface adheres to the constraints guidelines documented in the PCB guidelines for DDR4 section of the *UltraScale Architecture PCB Design User Guide (UG583)*. The DDR4 SODIMM interface is a 40Ω impedance implementation. Other memory interface details are also available in the *UltraScale Architecture-Based FPGAs Memory IP LogiCORE IP Product Guide (PG150)*.

For additional details, see the Micron MTA4ATF51264HZ-2G6E1 data sheet on the [Micron Technology](https://www.micron.com) website.

The detailed RFSoc connections for the feature described in this section are documented in the ZCU208 board XDC file, referenced in [Appendix B: Xilinx Design Constraints](#).

PL C0 I/F DDR4 Component Memory

[Figure 2, callout 3]

The 4 GB, 32-bit wide DDR4 memory system is comprised of four 1 Gb x 8 SDRAM (Micron MT40A1G8SA-075), U96-U99. This memory system is connected to PL-side ZU48DR banks 64 and 65. The DDR4 0.6V PL_DDR4_C0_VTT termination voltage is supplied from IR3897 sink-source regulator U79.

- Manufacturer: Micron
- Part Number: MT40A1G8SA-075
- Description:
 - 8 Gb (1 Gb x 8)
 - 1.2V 78-ball FBGA
 - DDR4-2666

The ZCU208 ZU48DR RFSoc PL DDR interface performance is documented in the *Zynq UltraScale+ RFSoc Data Sheet: DC and AC Switching Characteristics* (DS926).

The ZCU208 board DDR4 32-bit component memory interface adheres to the constraints guidelines documented in the PCB guidelines for DDR4 section of *UltraScale Architecture PCB Design User Guide* (UG583). The ZCU208 DDR4 component interface is a 40Ω impedance implementation. Other memory interface details are also available in the *UltraScale Architecture-Based FPGAs Memory IP LogiCORE IP Product Guide* (PG150).

For additional details, see the Micron MT40A1G8SA-075 data sheet on the [Micron Technology website](#).

The detailed RFSoc connections for the feature described in this section are documented in the ZCU208 board XDC file, referenced in [Appendix B: Xilinx Design Constraints](#).

PL C1 I/F DDR4 Component Memory

[Figure 2, callout 4]

The 4 GB, 32-bit wide DDR4 memory system is comprised of four 1 Gb x 8 SDRAM (Micron MT40A1G8SA-075), U100-U103. This memory system is connected to PL-side ZU48DR banks 68 and 69. The DDR4 0.6V PL_DDR4_C1_VTT termination voltage is supplied from IR3897 sink-source regulator U80.

- Manufacturer: Micron
- Part Number: MT40A1G8SA-075

- Description:
 - 8 Gb (1 Gb x 8)
 - 1.2V 78-ball FBGA
 - DDR4-2666

The ZCU208 ZU48DR RFSoc PL DDR interface performance is documented in the *Zynq UltraScale+ RFSoc Data Sheet: DC and AC Switching Characteristics* ([DS926](#)).

The ZCU208 board DDR4 32-bit component memory interface adheres to the constraints guidelines documented in the PCB guidelines for DDR4 section of *UltraScale Architecture PCB Design User Guide* ([UG583](#)). The ZCU208 DDR4 component interface is a 40Ω impedance implementation. Other memory interface details are also available in the *UltraScale Architecture-Based FPGAs Memory IP LogiCORE IP Product Guide* ([PG150](#)).

For additional details, see the Micron MT40A1G8SA-075 data sheet on the [Micron Technology](#) website.

The detailed RFSoc connections for the feature described in this section are documented in the ZCU208 board XDC file, referenced in [Appendix B: Xilinx Design Constraints](#).

PSMIO

The following table provides PS MIO peripheral mapping implemented on the ZCU208 board. See the *Zynq UltraScale+ Device Technical Reference Manual* ([UG1085](#)) for more information on PS MIO peripheral mapping.

Table 7: MIO Peripheral Mapping

MIO[0:25] Bank 500		MIO[26:51] Bank 501		MIO[52:77] Bank 502	
0	QSPI_LWR	26	PMU IN	52	USB0
1	QSPI_LWR	27	Not assigned/no connect	53	USB0
2	QSPI_LWR	28	Not assigned/no connect	54	USB0
3	QSPI_LWR	29	Not assigned/no connect	55	USB0
4	QSPI_LWR	30	Not assigned/no connect	56	USB0
5	QSPI_LWR	31	Not assigned/no connect	57	USB0
6	Not assigned/no connect	32	PMU GPO	58	USB0
7	QSPI_UPR	33	PMU GPO	59	USB0
8	QSPI_UPR	34	PMU GPO	60	USB0
9	QSPI_UPR	35	PMU GPO	61	USB0
10	QSPI_UPR	36	PMU GPO	62	USB0
11	QSPI_UPR	37	PMU GPO	63	USB0
12	QSPI_UPR	38	GPIO	64	GEM3
13	GPIO	39	SD1	65	GEM3

Table 7: MIO Peripheral Mapping (cont'd)

MIO[0:25] Bank 500		MIO[26:51] Bank 501		MIO[52:77] Bank 502	
14	I2C0	40	SD1	66	GEM3
15	I2C0	41	SD1	67	GEM3
16	I2C1	42	SD1	68	GEM3
17	I2C1	43	Not assigned/no connect	69	GEM3
18	UART0	44	Not assigned/no connect	70	GEM3
19	UART0	45	SD1	71	GEM3
20	Not assigned/no connect	46	SD1	72	GEM3
21	Not assigned/no connect	47	SD1	73	GEM3
22	GPIO	48	SD1	74	GEM3
23	GPIO	49	SD1	75	GEM3
24	Not assigned/no connect	50	SD1	76	MDIO3
25	Not assigned/no connect	51	SD1	77	MDIO3

Quad-SPI Flash Memory (MIO 0–12)

[Figure 2, callout 5]

The Micron dual MT25QU02GCBB8E12-0SIT serial NOR flash Quad-SPI memories are capable of holding the boot image for the Zynq UltraScale+ RFSoc. This interface is used to support QSPI32 boot mode as defined in the *Zynq UltraScale+ Device Technical Reference Manual (UG1085)*.

The dual Quad-SPI flash memory located at U11/U12 provides 4 Gb of non-volatile storage that can be used for configuration and data storage.

- Part number: MT25QU02GCBB8E12-0SIT (Micron)
- Description:
 - 2 Gb/256 MB
 - 2.7V – 3.6V 24-ball TBGA
 - 90 MHz DTR/133 MHz STR
- Datapath width: 8 bits
- Data rate: Various depending on Single/Dual/Quad mode

The configuration and Quad-SPI section of the *Zynq UltraScale+ Device Technical Reference Manual (UG1085)* provides details on using the Quad-SPI flash memory. For more QSPI details, see the Micron MT25QU02GCBB8E12-0SIT data sheet on the [Micron Technology](https://www.micron.com) website.

The detailed RFSoc connections for the feature described in this section are documented in the ZCU208 board XDC file, referenced in [Appendix B: Xilinx Design Constraints](#).

GPIO (MIO 13, 38)

These two GPIO bits are connected to the U38 MSP430 system controller for general purpose signaling or communications between the Zynq UltraScale+ RFSoc and the MSP430 system controller. These signals are level-shifted by TSX0108E U37. The connections between the U38 system controller and the ZU48DR RFSoc are listed in following table.

Table 8: System Controller U38 GPIO Connections to ZU48DR U1

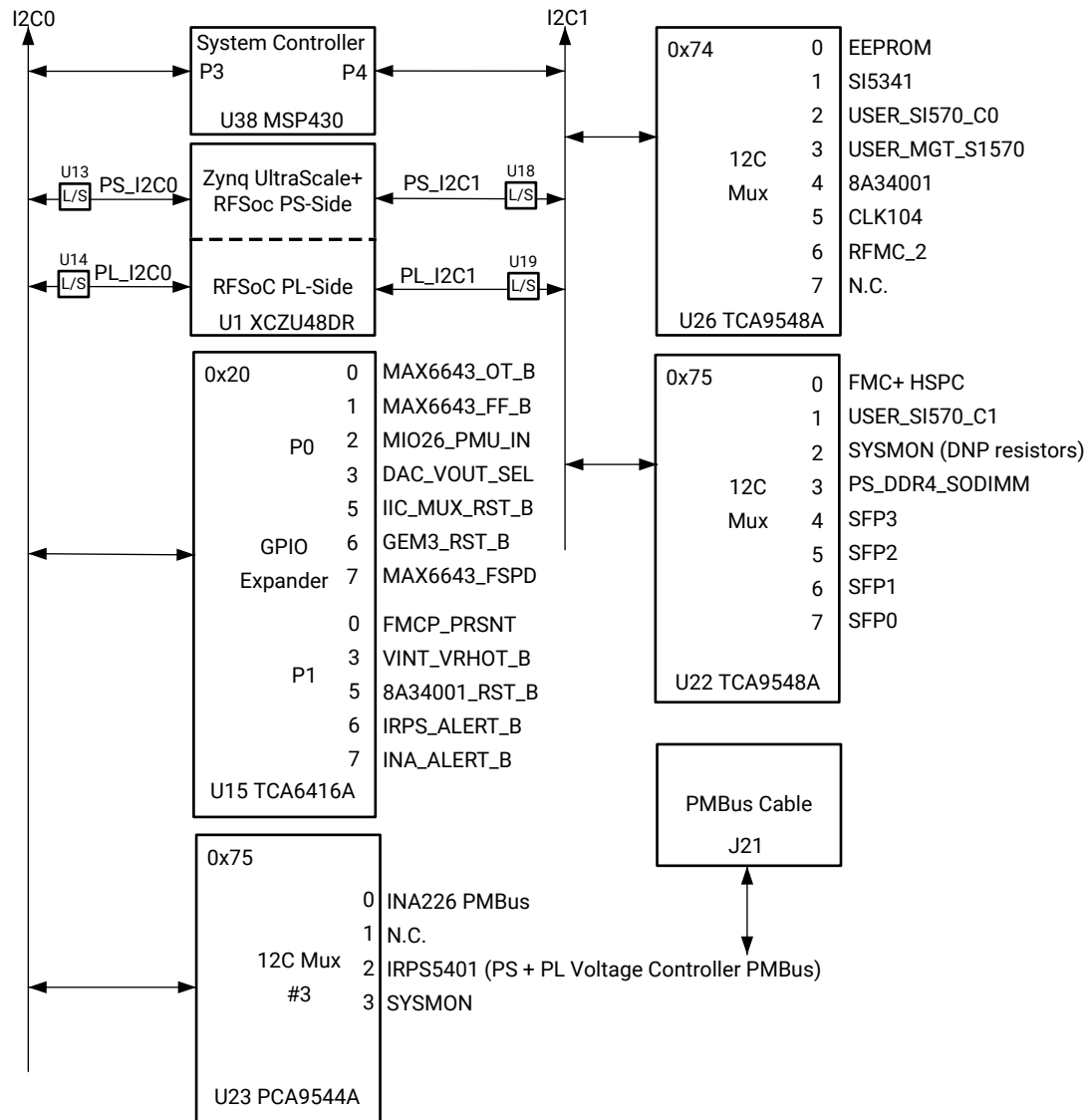
ZU48DR U1 Pin	Net Name	MSP430 U38	
		Pin Name	Pin Number
G32	MIO38_PS_GPIO1	P1_6	19
AU26	MIO13_PS_GPIO2	P1_7	20

I2C Bus Topology Overview

I2C0 (MIO 14-15), I2C1 (MIO 16-17)

The following figure shows a high-level view of the I2C0 and I2C1 bus connectivity.

Figure 6: I2C0 and I2C1 Bus Connectivity Overview



X23643-031320

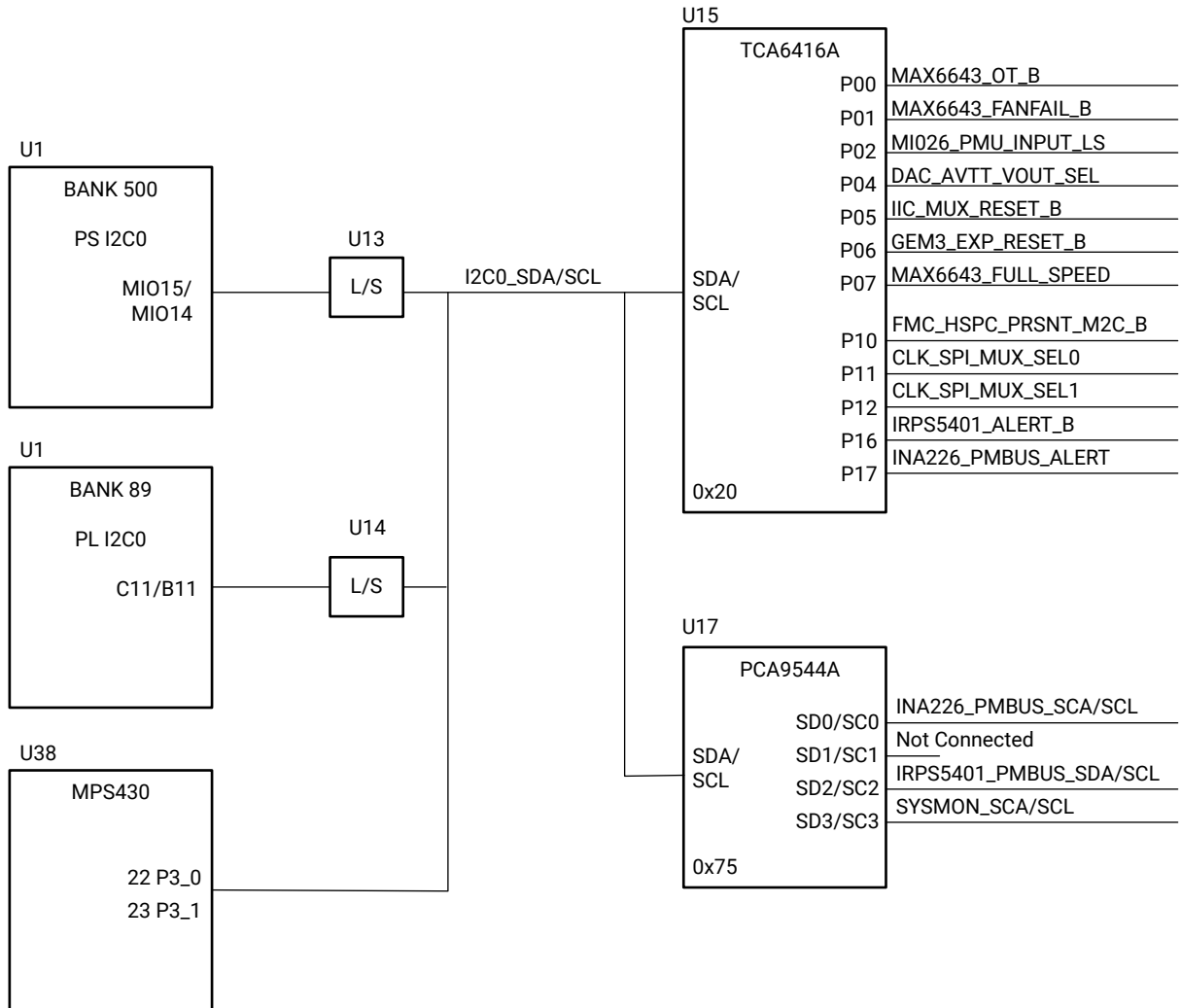
I2C0 (MIO 14-15)

[Figure 2, callout 17]

I2C bus I2C0 connects Zynq UltraScale+ RFSoc U1 PS Bank 500, PL bank 89, and the system controller U38 to a GPIO 16-bit port expander (TCA6416A U15) and I2C switch (PCA9544A U17). The port expander enables controlling resets and power system enable pins, and accepting various alarm inputs without requiring the PL-side to be configured. The I2C0 bus also provides access to the PMBUS power controllers and INA226 power monitors through the U17 PCA9544A switch. TCA6416A U15 is pin-strapped to respond to I2C address 0x20. The PCA9544A U17 switch is set to 0x75.

The following figure shows a high-level view of the I2C0 bus connectivity.

Figure 7: I2C0 Bus Topology



X23644-012120

The following table identifies the devices on each port of the I2C0 U15 TCA6416A port expander.

Table 9: I2C0 Port Expander TCA6416A U15 Connections

TCA6416A U15		Schematic Net Name	Connected To			
Pin Name	Pin No.		Pin No.	Pin Name	Reference Designator	Device
SDA	23	I2C0_SDA	Refer to connections shown in the figure above. TCA6416A U15 Addr. 0x20			
SCL	22	I2C0_SCL				
P00	4	MAX6643_OT_B	9	OT_B	U50	MAX6643

Table 9: I2C0 Port Expander TCA6416A U15 Connections (cont'd)

TCA6416A U15		Schematic Net Name	Connected To			
Pin Name	Pin No.		Pin No.	Pin Name	Reference Designator	Device
P01	5	MAX6643_FANFAIL_B	4	FANFAIL_B	U50	MAX6643
P02	6	MIO26_PMU_INPUT_LS	A34	PS_MIO26	U1	XCZU48DR
P04	8	DAC_AVTT_VOUT_SEL	1	G	Q36	NDS331N
P05	9	IIC_MUX_RESET_B	3	RESET_B	U20	TCA9548A
P06	10	GEN3_EXP_RESET_B	2	B	U34	SN74LVC1G08
P07	11	MAX6643_FULL_SPEED	6	FULLSPD	U50	MAX6643
P10	13	FMCP_HSPC_PRSENT_M2C_B	H2	PRSNT_M2C_L	J28(H)	ASP_184329_01
			Z1	PRSNT_M2C_L	J28(N)	ASP_184329_01
P13	16	VCCINT_VRHOT_B	14	VRHOT_ICRIT #	U104	IR35215
P15	18	8A34001_EXP_RST_B	1	A	U415	SN74LVC1G08
P16	19	IRPS5401_ALERT_B	11	SM_ALERT#	U104	IR35215
			17	ALERT_B	U53, U55	IRPS5401
			17	SALERT#	U112, U123, U127	IR38164
P17	20	INA226_PMBUS_ALERT	3	ALERT	U57, U58, U59, U60, U61, U62, U63, U64, U65, U67, U71, U75, U77, U124	INA226

The addresses of each target device on the I2C0 U17 PCA9544A switch are identified in the following table.

Table 10: I2C0 Multiplexer PCA9544A U17 Target Device Addresses

PCA9544A U17 (Addr 0x75) Port	I2C0 Bus Device	Target Device Address
0	INA226_PMBus (Power Monitors)	0X40-0x43, 0x45-0x4E
1	Not Connected	N/A
2	IRPS5401_PMBus (Voltage Regulators)	0X40, 0x43, 0x44, 0x45, 0x4B, 0x4C
3	SYSMON U1 bank 65	0X32

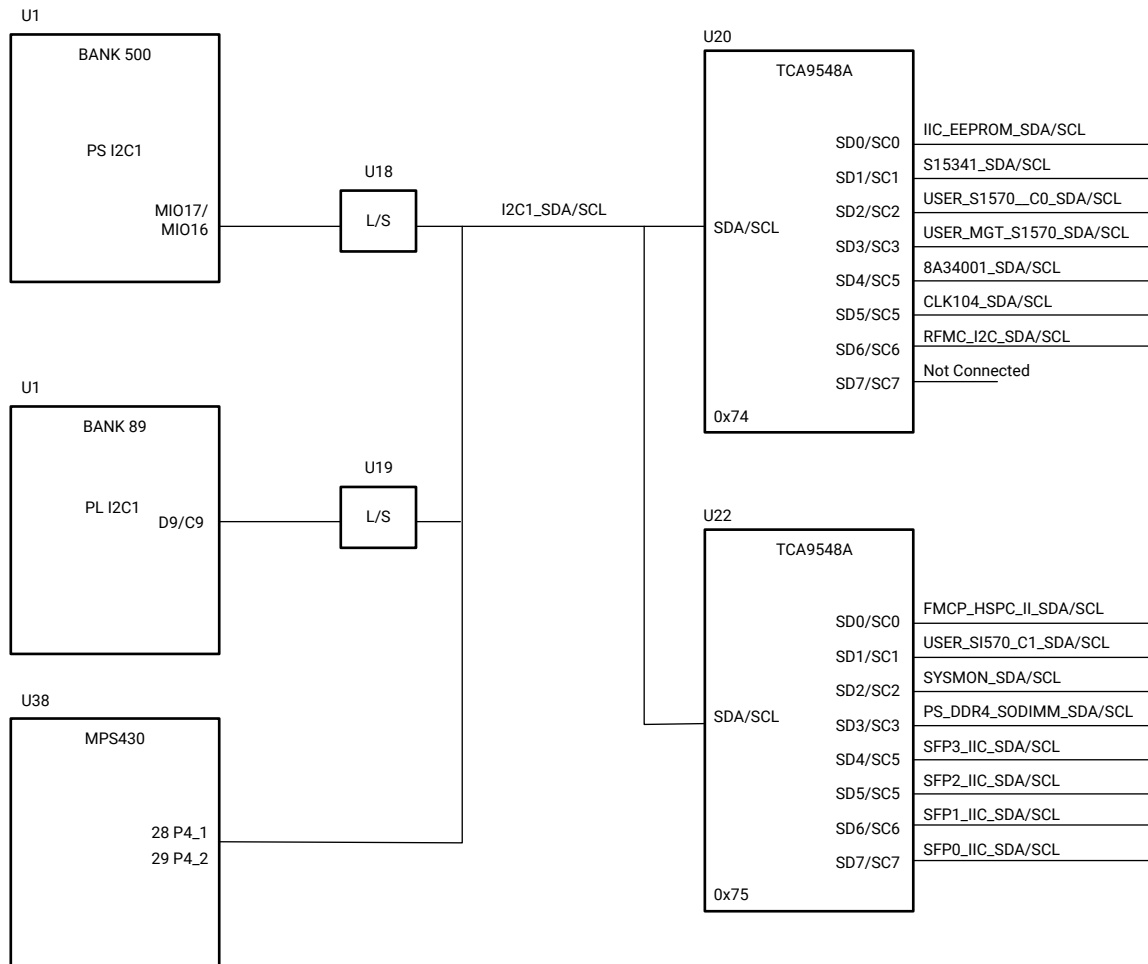
I2C1 (MIO 16-17)

[Figure 2, callout 18]

I2C bus I2C1 connects RFSoc U1 PS Bank 500, PL bank 89, and system controller U38 to two I2C switches (TCA9548A U20 and U22). These I2C1 connections enable I2C communications with various I2C capable target devices. TCA9548A U20 is pin-strapped to respond to I2C address 0x74. TCA9548A U22 is pin-strapped to respond to I2C address 0x75.

The following figure shows a high-level view of the I2C1 bus connectivity.

Figure 8: I2C1 Bus Topology



X23645-012120

The addresses of each target device on the I2C1 U20 and U22 PCA9548A switches are identified in the following tables.

Table 11: I2C1 TCA9548A U20 Target Device Addresses

TCA9548A U20 (Addr 0x74) Port	I2C1 Bus Device	Target Device Address
0	EEPROM U16	0X54
1	Si5341 Clock U43	0x76
2	USER Si570 C0 Clock U47	0X5D

Table 11: I2C1 TCA9548A U20 Target Device Addresses (cont'd)

TCA9548A U20 (Addr 0x74) Port	I2C1 Bus Device	Target Device Address
3	USER MGT Si570 Clock U48	0X5D
4	8A34001 (zSFP CIK Recovery) U409	0x58
5	CLK104 Connector J101	0x2F
6	RFMC LPAF-50 Connector J82	USER
7	No Connection	NA

Table 12: I2C1 TCA9548A U22 Target Device Addresses

TCA9548A U22 (Addr 0x75) Port	I2C1 Bus Device	Target Device Address
0	FMCP HSFC J28	0x##
1	USER Si570 C1 Clock U130	0X5D
2	SYSMON U1 BANK 65	0x32
3	PS DDR4 SODIMM SKT. J48	0x51
4	SFP3 P3	0x50
5	SFP2 P2	0x50
6	SFP1 P1	0x50
7	SFP0 P0	0x50

For more information on the TCA9548A, TCA6416A, and PCA9544A, see the [Texas Instruments website](#).

The detailed Zynq UltraScale+ RFSoc connections for the feature described in this section are documented in the ZCU208 board XDC file, referenced in [Appendix B: Xilinx Design Constraints](#).

UART0 (MIO 18-19)

[Figure 2, callout 8]

This is the primary Zynq UltraScale+ RFSoc PS-side UART interface and is connected to the FTDI U29 FT4232HL USB-to-Quad-UART Bridge port B through TXS0108E level-shifter U32.

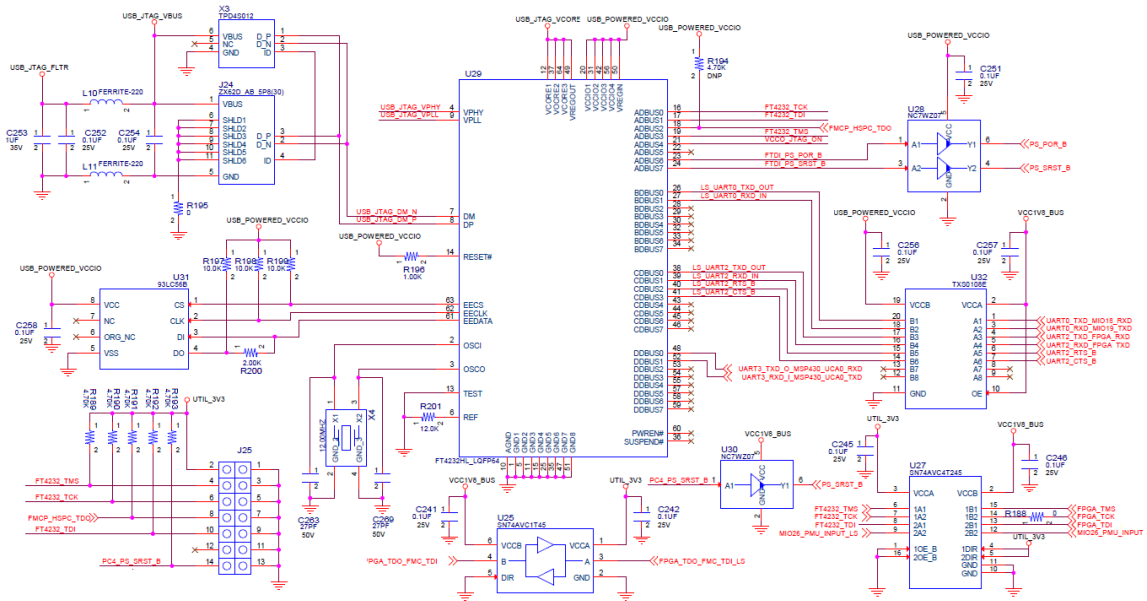
The FT4232HL U29 port assignments are listed in the following table.

Table 13: FT4232HL Port Assignments

FT4232HL U29	Zynq UltraScale+ RFSoc U1
Port A JTAG	ZCU208 JTAG Chain
Port B UART0	PS_UART0 (MIO 18-19)
Port C UART2	PL_UART2 Bank 89
Port D UART3	U38 System Controller UART

The FT4232HL interface circuit connectivity is shown in the following figure.

Figure 9: ZCU208 FT4232HL Connectivity



For more information on the FT4232HL, see the [Future Technology Devices International Ltd.](https://www.future-technology.com/) website.

The detailed RFSoc connections for the feature described in this section are documented in the ZCU208 board XDC file, referenced in [Appendix B: Xilinx Design Constraints](#).

GPIO (MIO 22-23)

PS-side pushbutton SW1 is connected to MIO22 (pin U1.AL27). PS-side LED DS1, physically placed adjacent to the pushbutton, is connected to MIO23 (pin U1.AM27).

PMU GPI (MIO 26)

PS-side MIO 26 is reserved as an input to the PMU for indicating a warm boot. PS bank 501 MIO26 (U1.A34) is connected to the I2C0 U15 TCA6416A bus expander (port P02 U15.6) through level-shifter U27. See the *Zynq UltraScale+ Device Technical Reference Manual (UG1085)* for details about the PMU interface.

PMU GPO (MIO 32-37)

The platform management unit (PMU) within the Zynq UltraScale+ RFSoc signals power domain changes using the PMU output pins for deep-sleep mode. The Zynq UltraScale+ RFSoc PMU GPO pins are connected to inputs of the MSP430 system controller through the TXS0108E level-shifter U37. The RFSoc U1 Bank 501 and MSP430 U38 pin numbers are listed in the following table.

Table 14: XCZU48DR to MSP430 Connections

XCZU48DR (U1) Pin	Net Name	MSP430 U38	
		Pin Name	Pin Number
E32	MIO37_PMU_GPO5	P1_0	13
E31	MIO36_PMU_GPO4	P1_1	14
C33	MIO35_PMU_GPO3	P1_2	15
D31	MIO34_PMU_GPO2	P1_3	16
D32	MIO33_PMU_GPO1	P1_4	17
D34	MIO32_PMU_GPO0	P1_5	18

Through the I2C0 bus U1 PS-side MIO[14:15] pins, the PMU has access to the board power controller PMBus bus (IRPS5401_SDA/SCL) and power monitor PMbus (INA226_PMBUS_SDA/SCL). See [Figure 7](#) for additional details.

See the *Zynq UltraScale+ Device Technical Reference Manual (UG1085)* for details about the PMU interface.

The detailed RFSoc connections for the feature described in this section are documented in the ZCU208 board XDC file, referenced in [Appendix B: Xilinx Design Constraints](#).

SDIO (MIO 39-51)

A PS-side interface to an SD card connector is provided for booting and file system storage. This interface is used for the SD boot mode and supports SD3.0 access post boot.

SD Card Interface

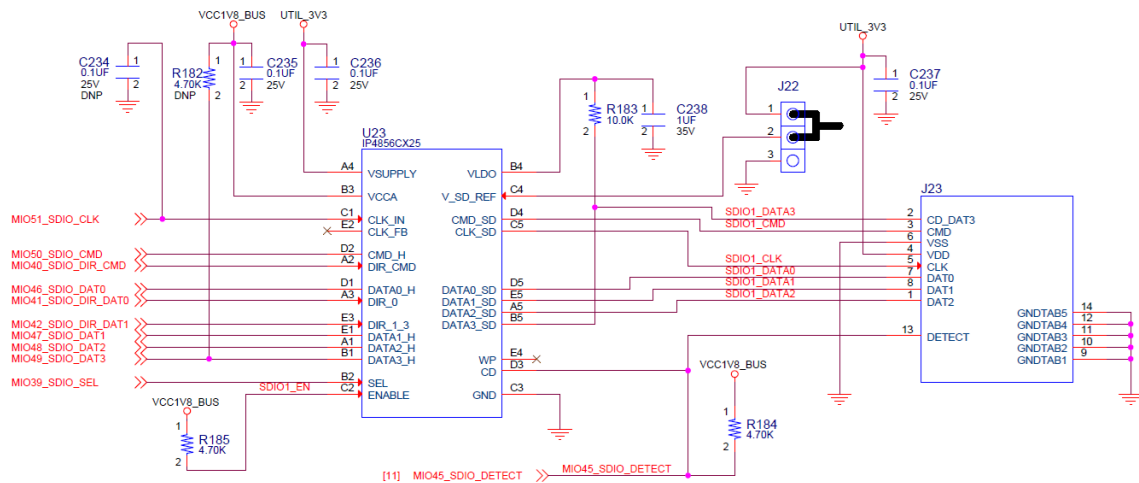
[[Figure 2](#), callout 7]

The ZCU208 board includes a secure digital input/output (SDIO) interface to provide access to general purpose non-volatile SDIO memory cards and peripherals. Information for the SD I/O card specification can be found on the [SanDisk Corporation](#) or [SD Association](#) websites. The ZCU208 SD card interface supports the SD1_LS configuration boot mode documented in the *Zynq UltraScale+ Device Technical Reference Manual (UG1085)*.

The SDIO signals are connected to ZU48DR RFSoc PS bank 501 which has its VCCMIO set to 1.8V. The SD interface nets MIO[46:49]_SDIO_DAT[0:3], MIO50_SDIO_CMD, and MIO51_SDIO_CLK each have a series 30Ω resistor at the Bank 501 source. An NXP IP4856CX25 SD 3.0-compliant voltage level-translator U23 is present between the ZU48DR RFSoc and the SD card connector (J23). The NXP IP4856CX25 U23 device provides SD3.0 capability with SDR104 performance.

The following figure shows the connections of the SD card interface on the ZCU208 board.

Figure 10: SD Card Interface



The NXP SD3.0 level shifter is mounted on an Aries adapter board that has the pin mapping shown in the following table.

Table 15: IP4856CX25 U23 Adapter Pinout

Aires Adapter Pin Number	IP4856CX25 U23 Pin Number	IP4856CX25 U23 Pin Name
1	C1	CLK_IN
2	C3	GND
3	D3	CD
4	D2	CMD_H
5	E2	CLK_FB
6	E4	WP
7	B4	VLDO
8	C4	VSD_REF
9	A3	DIR_0
10	A4	VSUPPLY
11	B3	VCCA
12	A2	DIR_CMD
13	D1	DATA0_H

Table 15: IP4856CX25 U23 Adapter Pinout (cont'd)

Aires Adapter Pin Number	IP4856CX25 U23 Pin Number	IP4856CX25 U23 Pin Name
14	B2	SEL
15	B1	DATA3_H
16	E1	DATA1_H
17	E3	DIR_1_3
18	A1	DATA2_H
19	E5	DATA1_SD
20	D5	DATA0_SD
21	C5	CLK_SD
22	D4	CMD_SD
23	B5	DATA3_SD
24	A5	DATA2_SD
25	C2	ENABLE

For more information on the IP4856CX25, see the [NXP](#) website.

The detailed RFSoc connections for the feature described in this section are documented in the ZCU208 board XDC file, referenced in [Appendix B: Xilinx Design Constraints](#).

USB0 (MIO 52-63) USB 3.0 Transceiver and USB 2.0

The USB interface on the PS-side serves multiple roles as a host or device controller. The USB 3.0 interface (host mode only) is supported by the RFSoc GTR interface while the USB 2.0 (host and device modes) capabilities of the SMSC USB3320C controller are shared on a common USB 3.0 micro USB type A connector (J18).

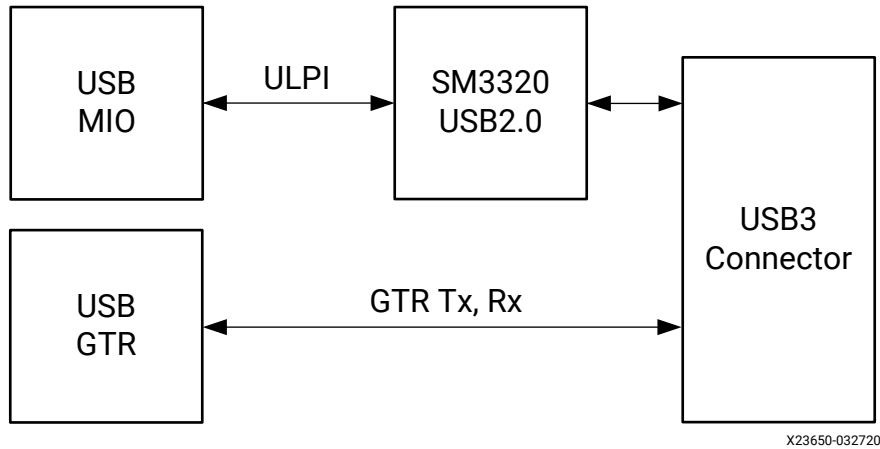
USB 3.0 Transceiver and USB 2.0 ULPI PHY

[Figure 2, callout 6]

The ZCU208 board uses a Standard Microsystems Corporation USB3320 USB 2.0 ULPI Transceiver (U6) to support a USB connection to the host computer. A USB cable is supplied in the ZCU208 Evaluation Kit (standard-A connector to host computer, USB 3.0 A connector to ZCU208 board connector J18). The USB3320 is a high-speed USB 2.0 PHY supporting the UTMI + low pin interface (ULPI) interface standard. The ULPI standard defines the interface between the USB controller IP and the PHY device which drives the physical USB bus. Use of the ULPI standard reduces the interface pin count between the USB controller IP and the PHY device.

The following figure shows the USB 3.0 interface. USB 3.0 is host mode only.

Figure 11: USB Interface



The USB3320 is clocked by a 24 MHz crystal (X2). See the [Standard Microsystems Corporation USB3320 data sheet](#) for clocking mode details.

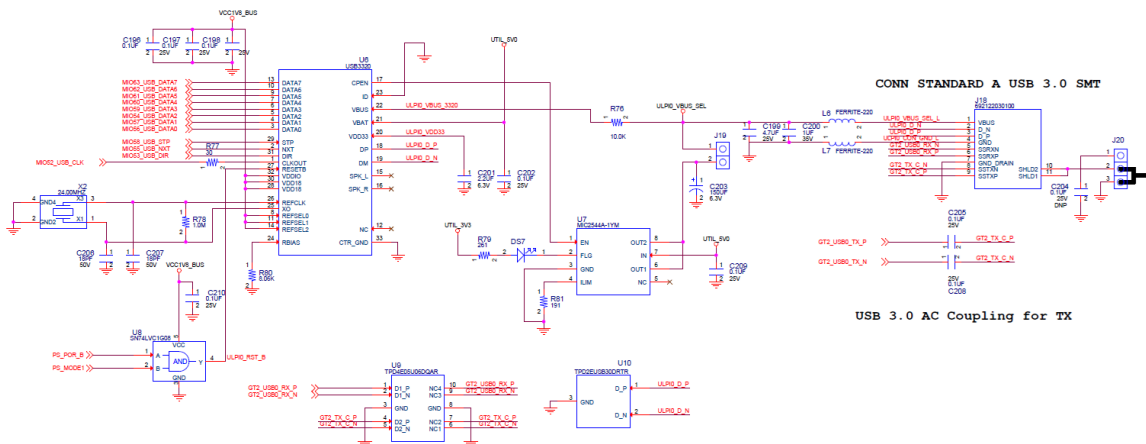
The interface to the USB3320 PHY is implemented through the IP in the ZU48DR RFSoc Processor System (PS). USB OTG support is available for USB 2.0. See [Table 3](#) for USB 2.0 jumper settings.

Note: The shield for the USB 3.0 micro-B connector (J18) can be tied to GND by a jumper on header J20 pins 2-3 (default). The USB shield can optionally be connected through a series capacitor to GND by installing a capacitor (body size 0402) at location C204 and jumping pins 1-2 on header J20.

The USB3320 ULPI U6 transceiver circuit (see the following figure) has a Micrel MIC2544 high-side programmable current limit switch (U7). This switch has an open-drain output fault flag on pin 2, which will turn on LED DS7 if overcurrent or thermal shutdown conditions are detected. DS7 is located adjacent to the USB J18 connector ([Figure 2](#), callout 6).

The following figure shows the ULPI U6 transceiver circuit.

Figure 12: USB3320 ULPI USB 2.0 Transceiver Circuit



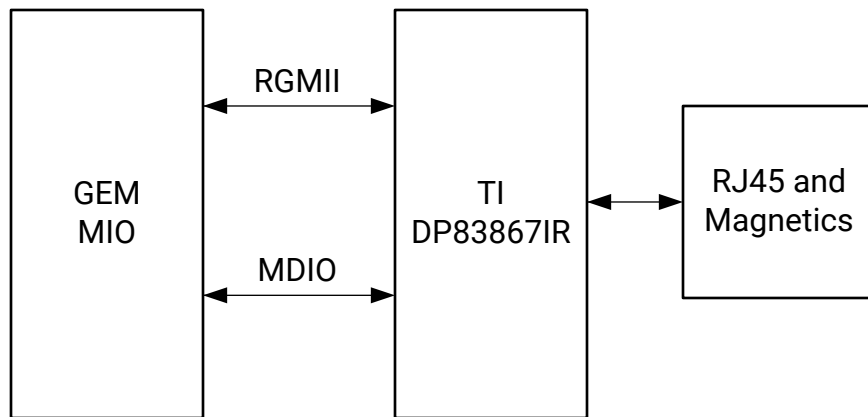
The detailed RFSoc connections for the feature described in this section are documented in the ZCU208 board XDC file, referenced in [Appendix B: Xilinx Design Constraints](#).

GEM3 Ethernet (MIO 64-77)

[[Figure 2](#), callout 16]

The PS-side Gigabit Ethernet MAC (GEM) implements a 10/100/1000 Mb/s Ethernet interface, shown in the following figure, which connects to a TI DP83867IRPAP Ethernet RGMII PHY before being routed to an RJ45 Ethernet connector. The RGMII Ethernet PHY is boot strapped to PHY address 5'b01100 (0x0C) and Auto Negotiation set to *Enable*. Communication with the device is covered in the TI DP83867 RGMII PHY data sheet on the [Texas Instruments](#) website.

Figure 13: Ethernet Block Diagram



X23651-012220

10/100/1000 MHz Tri-Speed Ethernet PHY

[[Figure 2](#), callout 16]

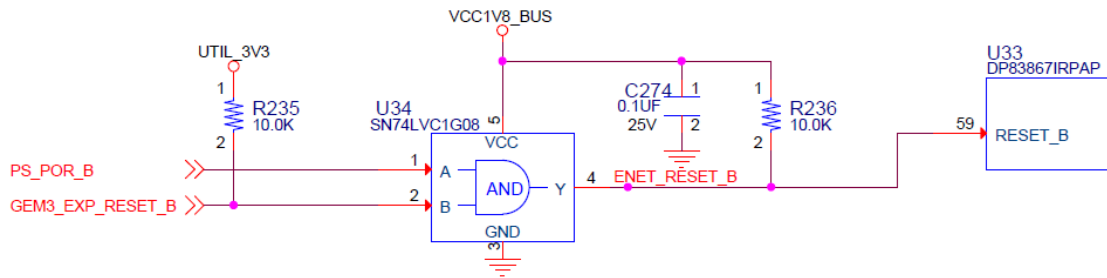
The ZCU208 board uses the TI DP83867IRPAP Ethernet RGMII PHY (U33) (see [Texas Instruments](#) website) for Ethernet communications at 10 Mb/s, 100 Mb/s, or 1000 Mb/s. The board supports RGMII mode only. The PHY connection to a user-provided Ethernet cable is through a Würth 7499111221A RJ-45 connector (P1) with built-in magnetics.

Ethernet PHY Reset

The DP83867IRPAP PHY U33 reset circuit is shown in the following figure. The DP83867IRPAP can be reset by the GEN3_EXP_RESET_B signal through the I2C0 TCA6416A U15 bus expander P06 pin 10 or the PS_POR_B signal generated by the MAX16025 U6 POR device pin 11.

SW4 pushbutton at the MAX16025 U5 pin 6 input also triggers a PS_POR_B signal.

Figure 14: Ethernet PHY Reset Circuit



Ethernet PHY LED Interface

[Figure 2, callout 16]

The DP83867IRPAP PHY U33 LED interface (LED_0, LED_2) uses the two LEDs embedded in the P1 RJ45 connector bezel. The LED functional description is as shown in the following table.

Table 16: Ethernet PHY LED Functional Description

Pin		Type	Description
Name	Number		
LED_2	61	S, I/O, PD	By default, this pin indicates receive or transmit activity. Additional functionality is configurable by means of LEDCR1[11:8] register bits. Note: This pin is a strap configuration pin for RGZ devices only.
LED_1	62	S, I/O, PD	By default, this pin indicates that 100BASE-T link is established. Additional functionality is configurable by means of LEDCR1[7:4] register bits.
LED_0	63	S, I/O, PD	By default, this pin indicates that link is established. Additional functionality is configurable by means of LEDCR1[3:0] register bits.

The LED functions can be re-purposed with a LEDCR1 register write available through the PHYs management data interface, MDIO/MDC. LED_2 is assigned to ACT (activity indicator) and LED_0 indicates link established.

LED_1 (100BASE-T link established) is a separate LED DS8 located on the top side of the board near the RJ45 P1 connector (Figure 2, callout 16).

For more Ethernet PHY details, see the TI DS83867 data sheet on the [Texas Instruments](https://www.ti.com) website.

The detailed RFSoc connections for the feature described in this section are documented in the ZCU208 board XDC file, referenced in [Appendix B: Xilinx Design Constraints](#).

Programmable Logic JTAG Programming Options

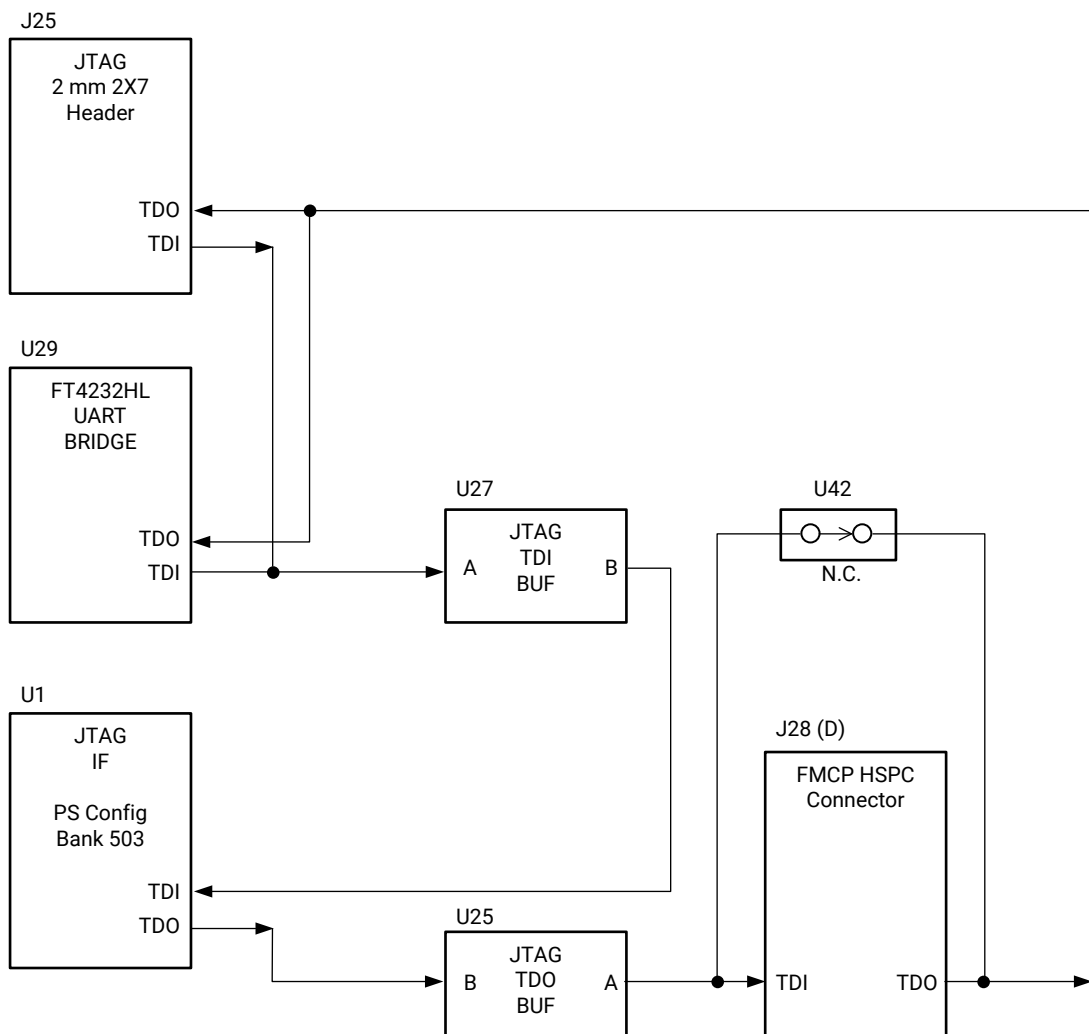
[Figure 2, callouts 8 and 9]

ZCU208 JTAG chain:

- J24 USB micro AB connector connected to U29 FT4232HL USB-JTAG bridge
- J25 2x7 2 mm shrouded, keyed JTAG pod flat cable connector

The ZCU208 board JTAG chain is shown in the following figure.

Figure 15: JTAG Chain Block Diagram



X23652-012220

Clock Generation

The ZCU208 board provides fixed and variable clock sources for the ZU48DR Zynq UltraScale+ RFSoc. The following table lists the source devices for each clock.

Table 17: ZCU208 Board Clock Sources

Clock (Net) Name	Frequency	Clock Source
Fixed Frequency Clocks		
PS_REF_CLK	33.33 MHz	U43 SI5341B Clock Generator (0x76)
CLK_100	100 MHz	
CLK_125	125 MHz	
GTR_REF_CLK_SATA	125 MHz	
GTR_REF_CLK_USB3	26 MHz	
Programmable Frequency Clocks		
USER_SI570_C0	300 MHz (Default)	U47 SI570 I2C PROG. OSC. (0x5D)
USER_SI570_C1	300 MHz (Default)	U130 SI570 I2C PROG. OSC. (0x5D)
USER_MGT_SI570_CLOCK	156.25 MHz (Default)	U48 SI570 I2C PROG. OSC. (0x5D)
USER_SMA_MGT_CLOCK	User-Provided Source	J6 (P)/J7 (N) SMA CONN.
Various 8A34001 eCPRI Clocks	Various	U409 8A34001 (0x58)

The following table lists the connections for each clock.

Table 18: Clock Connections to ZU48DR U1

Clock Source Ref. Des. and Pin	Net Name	I/O Standard	ZU48DR (U1) Pin
U43 SI5341B Clock Generator			
U43.59	PS_REF_CLK (series R300)	1	U32
U43.45	CLK_125_P	LVDS	A13
U43.44	CLK_125_N	LVDS	A12
U43.42	CLK_100_P	LVDS	G12
U43.41	CLK_100_N	LVDS	G11
U43.35	GTR_REF_CLK_SATA_P	2	AB34
U43.34	GTR_REF_CLK_SATA_N	2	AB35
U43.31	GTR_REF_CLK_USB3_P	2	AC36
U43.30	GTR_REF_CLK_USB3_N	2	AC37
U47 SI570 I2C Prog. Oscillator DDR4 C0 I/F (300 MHz default)			
U47.4	USER_SI570_C0_P	LVDS	AR20
U47.5	USER_SI570_C0_N	LVDS	AR19
U130 SI570 I2C Prog. Oscillator DDR4 C1 I/F (300 MHz default)			
U130.4	USER_SI570_C1_P	LVDS	G17
U130.5	USER_SI570_C1_N	LVDS	F17

Table 18: Clock Connections to ZU48DR U1 (cont'd)

Clock Source Ref. Des. and Pin	Net Name	I/O Standard	ZU48DR (U1) Pin
U49 SI570 I2C Prog. Oscillator (156.250 MHz default)			
U48.4	USER_MGT_SI570_CLOCK_P	2	H34
U48.5	USER_MGT_SI570_CLOCK_N	2	H35
J79 (P)/J80 (N) SMA Connectors			
J6	USER_SMA_MGT_CLOCK_P	2	M34
J7	USER_SMA_MGT_CLOCK_N	2	M35
U409 8A34001 eCPRI Clock			
U409.A9 (Q1)	8A34001_Q1_OUT_P	2	Y39
U409.B9 (Q1)	8A34001_Q1_OUT_N	2	Y40
U409.A11 (Q2)	8A34001_Q2_OUT_P	LVDS	AT23
U409.B11 (Q2)	8A34001_Q2_OUT_N	LVDS	AT24
U409.A12 (Q3)	8A34001_Q3_OUT_P	LVDS	H30
U409.B12 (Q3)	8A34001_Q3_OUT_N	LVDS	G30
U409.M8 (Q7)	8A34001_Q7_OUT_P	2	T34
U409.L8 (Q7)	8A34001_Q7_OUT_N	2	T35
U409.A6 (Q8)	8A34001_Q8_OUT_P	LVDS	J21
U409.B6 (Q8)	8A34001_Q8_OUT_N	LVDS	H21
U409.M6 (Q11)	8A34001_Q11_OUT_P	2	Y34
U409.L6 (Q11)	8A34001_Q11_OUT_N	2	Y35

Notes:

1. U1 ZU48DR Bank 503 supports LVCMOS18 level inputs.
2. Series capacitor coupled, U1 MGT (I/O standards do not apply).
3. Series capacitor coupled.

SI5341B 10 Independent Output Any-Frequency Clock Generator U43

[Figure 2, callout 10]

- Clock generator: Silicon Labs SI5341B-D07833-GM
- Jitter: <100 fs RMS typical
- Differential and single-ended outputs

The SI5341B data sheet addendum for the Silicon Labs SI5341B-D07833-GM documents the pre-programmed output frequencies:

- Inputs:
 - XAXB: 48 MHz
 - Crystal mode
 - INO: Unused

- IN1: Unused
- IN2: Unused
- FB_IN: Unused
- Outputs:
 - OUT0: 27 MHz
 - Enabled, LVDS 3.3 V
 - OUT1: Unused
 - OUT2: 26 MHz
 - Enabled, LVDS 3.3 V
 - OUT3: 125 MHz
 - Enabled, LVDS 3.3 V
 - OUT4: 100 MHz
 - Enabled, HCSL 3.3 V
 - OUT5: 100 MHz
 - Enabled, LVDS 3.3 V
 - OUT6: 125 MHz
 - Enabled, LVDS 3.3 V
 - OUT7: 74.25 MHz [74 + 1/4 MHz]
 - Enabled, LVDS 3.3 V
 - OUT8: Unused
 - OUT9: 33.33333333333333... MHz [33 + 1/3 MHz]
 - Enabled, LVCMOS In-phase 1.8V

Programmable User SI570 Clocks

[Figure 2, callouts 11 and 12]

The ZCU208 board has three I2C programmable SI570 low-jitter 3.3V LVDS differential oscillators, two assigned to the DDR4 component memory interface banks (Bank 65 I/F C0: U47 and Bank 69 I/F C1: U130) and one assigned to GTY131 (U48).

On power-up the user clocks default to a pre-programmed output frequency: DDR4 I/F U47 and U130 to 300.000 MHz and GTY I/F U48 to 156.250 MHz.

User applications can change the output frequency of each SI570 within the range of 10 MHz to 810 MHz through the I2C1 bus interface. Power cycling the ZCU208 board reverts user clocks to their default settings.

These oscillators can also be reprogrammed from MSP430 system controller U38 (see TI MSP430 System Controller on the [Texas Instruments](#) website for more system controller information and the ZCU208 website for the [ZCU208 System Controller GUI Tutorial \(XTP_TBD\)](#)).

DDR4 memory interface C0 (U47) and C1 (U130) SI570:

- Programmable oscillator: Silicon Labs Si570BAB001614DG (10 MHz-810 MHz, 300 MHz default)
- I2C 0x5D
- LVDS differential output
- Total stability: 61.5 ppm

GTY SI570:

- Programmable oscillator: Silicon Labs Si570BAB000544DG (10 MHz-810 MHz, 156.250 MHz default)
- I2C 0x5D
- LVDS differential output
- Total stability: 61.5 ppm

The SI5341B and SI570 data sheets can be found on the [Silicon Labs](#) website.

User SMA MGT Clock

[[Figure 2](#), callout 34]

The ZCU208 board provides a pair of SMAs (J6, J7) for differential AC coupled user MGT clock input into Zynq UltraScale+ RFSoc U1 GTY Bank 130. This differential signal pair is series-capacitor coupled. The P-side SMA J6 signal USER_SMA_MGT_CLOCK_P is connected to U1 MGTREFCLK1P pin M34, and the N-side SMA J7 signal USER_SMA_MGT_CLOCK_N is connected to U1 MGTREFCLK1N pin M35. The user SMA MGT clock differential signal amplitude must not exceed -0.5V (Min) to 1.30V (Max).

The detailed RFSoc connections for the feature described in this section are documented in the ZCU208 board XDC file, referenced in [Appendix B: Xilinx Design Constraints](#).

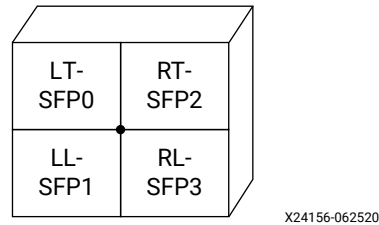
zSFP/zSFP+ Module Connectors

[[Figure 2](#), callout 15]

The ZCU208 board hosts a quad zSFP/zSFP+ connector (J29) that accept zSFP or zSFP+ modules. The connectors are housed within a single 2x2 zSFP cage assembly. The following figure shows the zSFP/zSFP+ module locations within J29.

Figure 16: Quad-zSFP Connector zSFP Locations

Looking at the J29 front opening:
 First character: L = Left, R = Right,
 Second character: T = Top, L = Lower



The detailed RFSoc connections for the feature described in this section are documented in the ZCU208 board XDC file, referenced in [Appendix B: Xilinx Design Constraints](#).

The following table lists the zSFP+ module control and status connections.

Table 19: zSFP Control and Status Board Connections

zSFP Control/ Status Signal	Board Connection	
SFP0 J29 LT^{1, 2}		
SFP_TX_FAULT	Test Point TP11	High = Fault Low = Normal Operation
SFP_TX_DISABLE	Jumper J39 Switch Q6 U1.K16	Off = SFP Disabled On = SFP Enabled
SFP_MOD_DETECT	Test Point J12	High = Module not present Low = Module Present
SFP_RS0	PU R262 / PD R269	PU R262 = Full RX bandwidth PD R269 = Reduced RX bandwidth
SFP_RS1	PU R263 / PD R264	PU R263 = Full TX bandwidth PD R264 = Reduced TX bandwidth
SFP_LOS	Test Point TP13	High = Loss of receiver signal Low = Normal operation
SFP1 J29 LL^{1, 2}		
SFP_TX_FAULT	Test Point TP14	High = Fault Low = Normal Operation
SFP_TX_DISABLE	Jumper J44 Switch Q7 U1.K17	Off = SFP Disabled On = SFP Enabled
SFP_MOD_DETECT	Test Point TP15	High = Module not present Low = Module Present

Table 19: zSFP Control and Status Board Connections (cont'd)

zSFP Control/ Status Signal	Board Connection	
SFP_RS0	PU R270 / PD R273	PU R270 = Full RX bandwidth PD R273 = Reduced RX bandwidth
SFP_RS1	PU R271 / PD R274	PU R271 = Full TX bandwidth PD R274 = Reduced TX bandwidth
SFP_LOS	Test Point TP16	High = Loss of receiver signal Low = Normal operation
SFP2 J29 RT^{1,2}		
SFP_TX_FAULT	Test Point TP5	High = Fault Low = Normal Operation
SFP_TX_DISABLE	Jumper J32 Switch Q4 U1.K14	Off = SFP Disabled On = SFP Enabled
SFP_MOD_DETECT	Test Point TP6	High = Module not present Low = Module Present
SFP_RS0	PU R279 / PD R281	PU R279 = Full RX bandwidth PD R281 = Reduced RX bandwidth
SFP_RS1	PU R280 / PD R282	PU R280 = Full TX bandwidth PD R282 = Reduced TX bandwidth
SFP_LOS	Test Point TP7	High = Loss of receiver signal Low = Normal operation
SFP3 J29 RL^{1,2}		
SFP_TX_FAULT	Test Point TP8	High = Fault Low = Normal Operation
SFP_TX_DISABLE	Jumper J35 Switch Q5 U1.K15	Off = SFP Disabled On = SFP Enabled
SFP_MOD_DETECT	Test Point TP9	High = Module not present Low = Module Present
SFP_RS0	PU R284 / PD R290	PU R284 = Full RX bandwidth PD R290 = Reduced RX bandwidth
SFP_RS1	PU R285 / PD R291	PU R285 = Full TX bandwidth PD R291 = Reduced TX bandwidth
SFP_LOS	Test Point TP10	High = Loss of receiver signal Low = Normal operation

Notes:

1. The RS0/RS1 PU/PD resistors are not populated. There are pull-down resistors built into the zSFP modules that select the lower bandwidth mode of the module.
2. BW selection is also available through I2C control.

For additional information about the zSFP module, see SFF-8402 and SFF-8432 on the [SNIA Technology Affiliates](#) website.

User I/O

[Figure 2, callout 23, 24, and 25]

The ZCU208 board provides these user and general purpose I/O capabilities:

- Eight sets of three single color LEDs (24 LEDs total) (callout 23)
 - LED_0: DS54
 - LED_1: DS55
 - LED_2: DS56
 - LED_3: DS57
 - LED_4: DS58
 - LED_5: DS59
 - LED_6: DS60
 - LED_7: DS61
- 8-position user DIP switch (callout 23)
 - GPIO_DIP_SW[7:0]: SW14
- Five user pushbuttons and a CPU reset PB switch (callouts 24 and 25)
 - GPIO_SW_[NWCES]: SW8, SW9, SW10, SW11, SW12
 - CPU_RESET: SW13

The detailed RFSoc connections for the feature described in this section are documented in the ZCU208 board XDC file, referenced in [Appendix B: Xilinx Design Constraints](#).

Power and Status LEDs

[Figure 2, area of callouts 17 and 18]

The following table defines the power and status LEDs. For user controlled GPIO LED details, see [User I/O](#).

Table 20: Power and Status LEDs

Ref. Des.	Schematic Net Name	LED Color	Description
DS1	MIO23_LED	Green	RFSoc U1 Bank 500 GPIO LED
DS2	PS_INIT_B	Green/ Red	Green: FPGA initialization was successful Red: FPGA initialization is in progress
DS3	PS_DONE	Green	RFSoc U1 bit file download is complete

Table 20: Power and Status LEDs (cont'd)

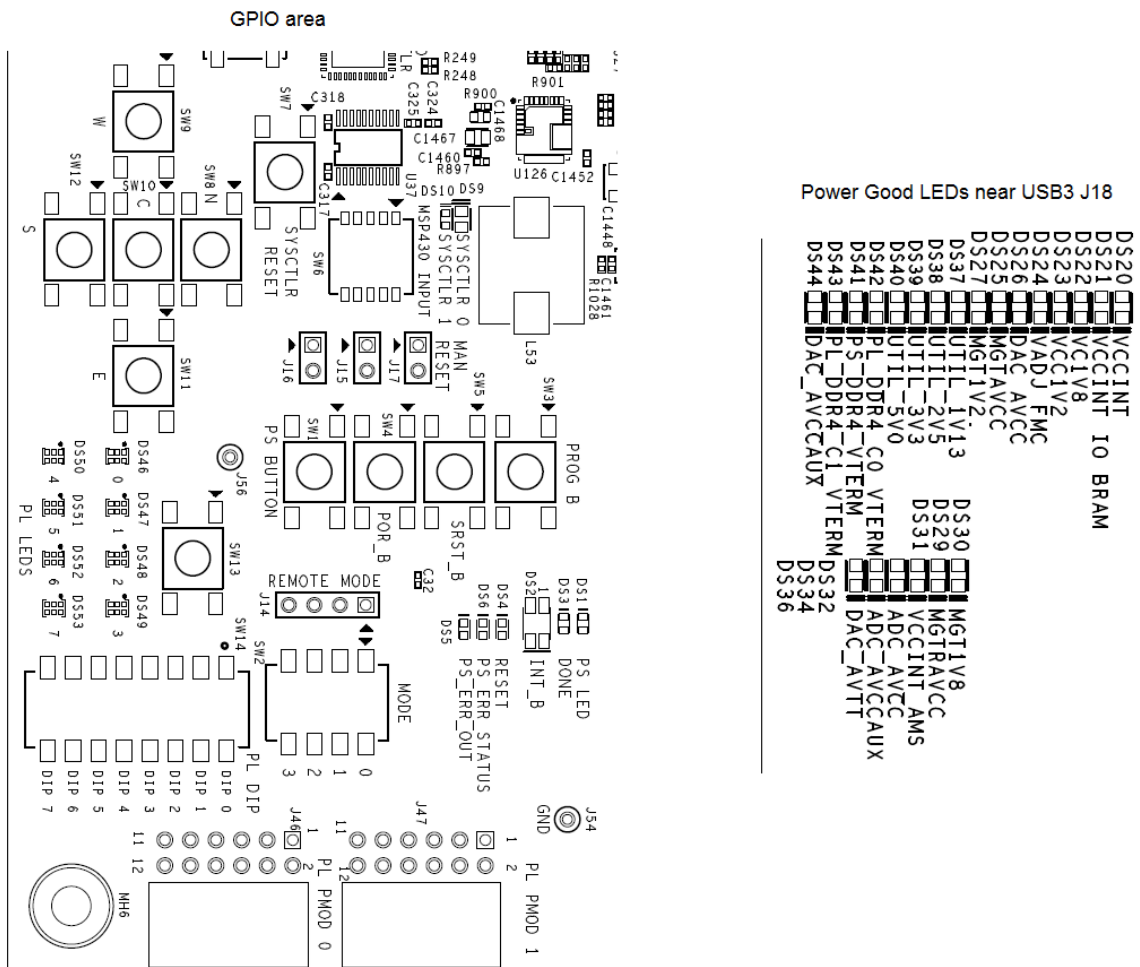
Ref. Des.	Schematic Net Name	LED Color	Description
DS4	PS_RESET_B	Red	POR U5 asserts RESET_B low when any of the monitored voltages (IN_) falls below its respective threshold, any EN_ goes low, or MR is asserted.
DS5	PS_ERR_OUT	Red	PS error out is asserted for accidental loss of power, an error in the PMU that holds the CSU in reset, or an exception in the PMU.
DS6	PS_ERR_STATUS	Red	PS error status indicates a secure lockdown state. Alternatively, it can be used by the PMU firmware to indicate system status.
DS7	USB3 MIC2544 U7 FLG	Green	PS USB 3.0 ULPI VBUS power error
P1-R	ENET_LED_0	Green	EPHY U33 link established (all speeds) (RJ45 bezel right)
DS8	ENET_LED_1	Green	EPHY U33 1000BASE-T link established
P1-L	ENET_LED_2	Green	EPHY U33 link activity (RJ45 bezel left)
DS9	MSP430_LED0	Blue	MSP430 U38 GPIO LED
DS10	MSP430_LED1	Green	MSP430 U38 GPIO LED
DS19	VCC12_SW	Green	12VDC power on
DS20	VCCINT_PG	Green	VCCINT 0.85VDC power On
DS21	VCCINT_IO_BRAM_PS_PG	Green	VCCPSINTFP/LP/block RAM/I/O 0.85VDC power on
DS22	VCC1V8_PG	Green	VCC1V8 1.8VDC power on
DS23	VCC1V2_PG	Green	VCC1V2 1.2VDC power on
DS24	VADJ_FMC_PG	Green	VADJ_FMC 1.8VDC (nom.) power on
DS25	MGTAVCC_PG	Green	MGTAVCC 0.9VDC power on
DS26	DAC_AVCC_PG	Green	ADC_AVCC 0.925V power on
DS27	MGT1V2_PG	Green	MGT1V2 1.2VDC power on
DS29	MGTRAVCC_PG	Green	MGTRAVCC 0.85VDC power on
DS30	MGT1V8_PG	Green	MGT1V8 1.8VDC power on
DS31	VCCINT_AMS_PG	Green	VCCINT_AMS 0.85VDC power on
DS32	ADC_AVCC_PG	Green	ADC_AVCC 0.925VDC power on
DS34	ADC_AVCCAUX_PG	Green	ADC_AVCCAUX 1.8VDC power on
DS36	DAC_AVTT_PG	Green	DAC_AVTT 2.5VDC power on
DS37	UTIL_1V13_PG	Green	UTIL_1V13 1.13VDC power on
DS38	UTIL_2V5_PG	Green	UTIL_2V5 2.5VDC power on
DS39	UTIL_3V3_PG	Green	UTIL_3V3 3.3VDC power on
DS40	UTIL_5V0_PG	Green	UTIL_5V0 5VDC power on
DS41	PS_DDR4_VTERM_0V60_PG	Green	PS_DDR4_VTERM 0.6VDC power on
DS42	PL_C0_DDR4_VTERM_0V60_PG	Green	PL_C0_DDR4_VTERM 0.6VDC power on
DS43	PL_C1_DDR4_VTERM_0V60_PG	Green	PL_C1_DDR4_VTERM 0.6VDC power on
DS44	DAC_AVCCAUX_ON	Green	DAC_AVCCAUX 1.8VDC power on
DS46	LED_0	Green	USER GPIO LED_0

Table 20: Power and Status LEDs (cont'd)

Ref. Des.	Schematic Net Name	LED Color	Description
DS47	LED_1	Green	USER GPIO LED_1
DS48	LED_2	Green	USER GPIO LED_2
DS49	LED_3	Green	USER GPIO LED_3
DS50	LED_4	Green	USER GPIO LED_4
DS51	LED_5	Green	USER GPIO LED_5
DS52	LED_6	Green	USER GPIO LED_6
DS53	LED_7	Green	USER GPIO LED_7

The following figure shows the GPIO and power status LED areas of the board.

Figure 17: GPIO and Power Status LED areas



Multi-Gigabit Transceivers

The ZU48DR Zynq UltraScale+ RFSoc has 4 GTR gigabit transceivers (6 Gb/s capable) on the PS-side and 16 GTY gigabit transceivers (28 Gb/s capable) on the PL-side. Two of four GTR transceivers are used. All 16 GTY transceivers are used.

GTY Transceivers

The GTY transceivers in the ZU48DR are grouped into four channels or quads. The reference clock for a quad can be sourced from the quad above or the quad below the GTY quad of interest. The 4 GTY quads used on the ZCU208 board have the connectivity listed below. The following table shows the MGTY assignments.

Table 21: ZCU208 ZU48DR GTY Mapping

ZCU208 ZU48DR-FSVG1517 GTY Mapping				
ZU48DR-FSVG1517	8A34001 CLK1_IN - Q1_OUT	ch3	GTY Quad 128	PCIe4
	NO CONNECT	ch2		
	zSFP1	ch1		
	zSFP0	ch0		
	8A34001 Q11_OUT	refclk1		
	8A34001 CLK5_IN	refclk0		
	CoreHC2 1x8 Connector	ch3	GTY Quad 129	CMAC
	NO CONNECT	ch2		
	zSFP3	ch1		
	zSFP2	ch0		
	8A34001 Q7_OUT	refclk1		
	8A34001 CLK6_IN	refclk0		
	FMC DP3	ch3	GTY Quad 130	ILKN
	FMC DP2	ch2		
	FMC DP1	ch1		
	FMC DP0	ch0		
	USER_SMA_MGT_CLOCK	refclk1		
	FMC GBTCLK0 M2C	refclk0		
	FMC DP7	ch3	GTY Quad 131	PCIe4
	FMC DP6	ch2		
FMC DP5	ch1			
FMC DP4	ch0			
USER_MGT_SI570_CLOCK	refclk1			
FMC GBTCLK1 M2C	refclk0			

FMCP HSPC

Eight MGTs are provided by PL-side MGT banks 130 and 131. Available MGT reference clocks include the FMC defined GBT clocks 0 and 1, a programmable SI570 clock and a differential SMA clock.

zSFP+

Four MGTs are provided by PL-side MGT banks 128 and 129 for the quad (2x2 connector) zSFP+ interface. Available GTY reference clocks include two sets of clocks to/from IDT 8A34001 U409. Each zSFP+ connector provides an I2C based control interface. This I2C interface is accessible for each individual zSFP+ module through the I2C multiplexer topology on the ZCU208.

For additional information on GTY transceivers, see the *UltraScale Architecture GTY Transceivers User Guide* ([UG578](#)).

The detailed RFSoc connections for the feature described in this section are documented in the ZCU208 board XDC file, referenced in [Appendix B: Xilinx Design Constraints](#).

PS GTR Transceivers

The PS-side GTR transceiver Bank 505 supports USB (3.0) and SATA, with two channels not used.

Bank 505 USB0 lane 2 supports the USB0 (USB3.0) interface documented in the USB 3.0 Transceiver and USB 2.0 ULPI PHY section. The PS-Side GTR transceiver is used to provide USB 3.0 Host-Only connectivity.

Bank 505 SATA lane 3 supports SATA connector U36 shown in [Figure 18](#).

Bank 505 reference clocks are connected to the U43 SI5341B clock generator as described in [SI5341B 10 Independent Output Any-Frequency Clock Generator U43](#).

The detailed RFSoc connections for the feature described in this section are documented in the ZCU208 board XDC file, referenced in [Appendix B: Xilinx Design Constraints](#).

PS M.2 SATA Connector

[[Figure 2](#), callout 31 and 32]

The M.2 SATA interface is provided for SATA SSD access using the PS-side bank 505 GTR transceiver. The following figure shows the M.2 connector U36.

The socket 2 SATA adapter pinout with key M is shown in the table below. The SATA-A data connection is used for TX and the SATA-B data connection is used for RX. The M.2 connector U36 is a type 2242 (active component section 22 mm wide with overall length 42 mm form factor) used on socket 2.

Figure 18: M.2 Connector

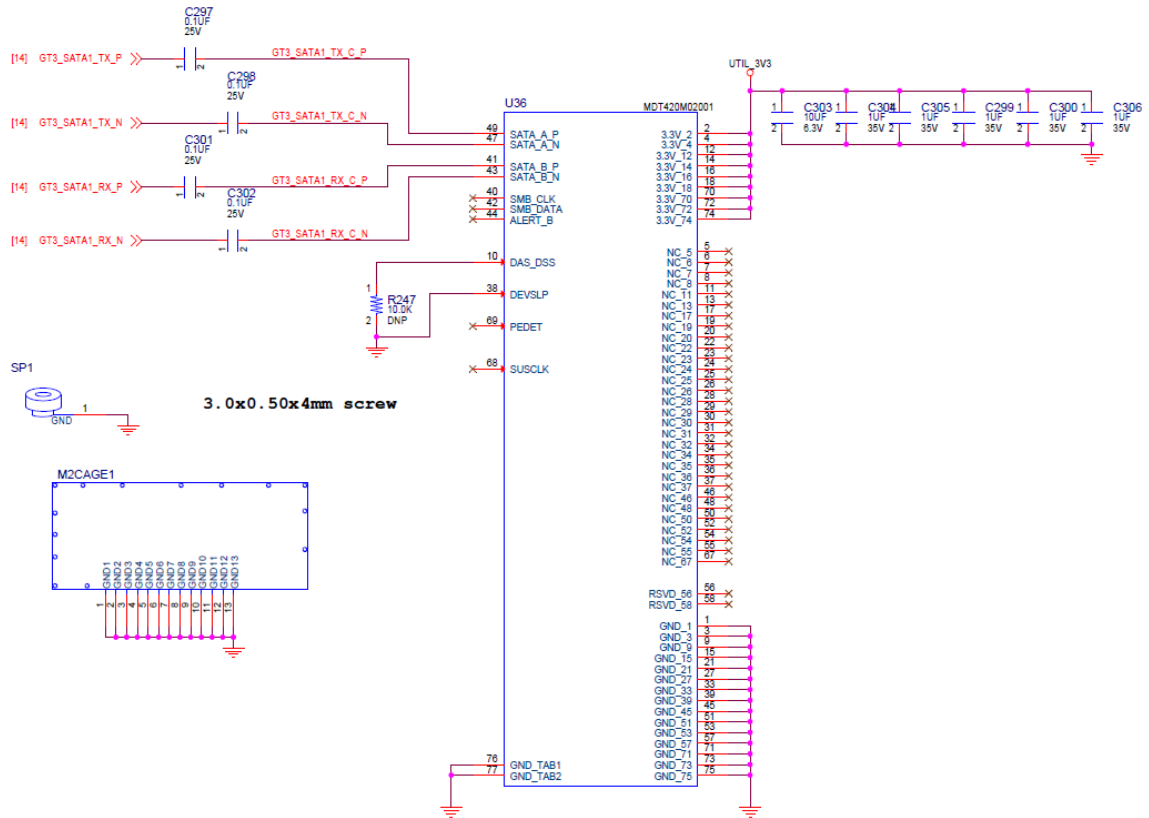


Table 22: M.2 Connector U40 Pinout

Pin	Signal	Signal	Pin
74	3.3V	GND	75
72	3.3V	GND	73
70	3.3V	GND	71
68	SUSCLK(32 kHz) (I)(0/3.3V)	PEDET (GND-SATA)	69
	ADD_IN CARD KEY M	NC	67
	ADD_IN CARD KEY M	ADD_IN CARD KEY M	
	ADD_IN CARD KEY M	ADD_IN CARD KEY M	
	ADD_IN CARD KEY M	ADD_IN CARD KEY M	
58	Reserved for MFG_CLOCK	ADD_IN CARD KEY M	
56	Reserved for MFG_DATA	GND	57
54	NC	NC	55
52	NC	NC	53
50	NC	GND	51
48	NC	SATA-A+	49
46	NC	SATA-A-	47
44	ALERT# (O) (0/1.8V)	GND	45

Table 22: M.2 Connector U40 Pinout (cont'd)

Pin	Signal	Signal	Pin
42	SMB_DATA (I/O) (0/1.8V)	SATA-B-	43
40	SMB_CLK (I/O) (0/1.8V)	SATA-B+	41
38	DEVSLP (I)	GND	39
36	NC	NC	37
34	NC	NC	35
32	NC	GND	33
30	NC	NC	31
28	NC	NC	29
26	NC	GND	27
24	NC	NC	25
22	NC	NC	23
20	NC	GND	21
18	3.3V	NC	19
16	3.3V	NC	17
14	3.3V	GND	15
12	3.3V	NC	13
10	DAS/DSS (I/O)	NC	11
8	NC	GND	9
6	NC	NC	7
4	3.3V	NC	5
2	3.3V	GND	3
-	-	GND	1

The M.2 adapter tie-offs as implemented on the ZCU208 board are listed in the following table.

Table 23: ZCU208 M.2 U40 Connector Tie-offs

M.2 Signal Name	ZCU104 Tie-Off	U40 Pin
SUSCLK	No Connect	68
ALERT#	No Connect	44
SMB_DATA	No Connect	42
SMB_CLK	No Connect	40
DEVSLP	GND	38
DAS/DSS	DNP Res to GND	10
PEDET	No Connect	69
SATA-A	GTR TX	49, 47
SATA-B	GTR RX	43, 41

The M.2 U40 connector to RFSoc connections are listed in the following table.

Table 24: M.2 U40 Connections to the XCZU48DR Zynq UltraScale+ RFSoc

XCZU48DR (U1) Pin	Net Name	I/O Standard	M.2 Connector U40	
			Pin Number	Pin Name
AD36	GT3_SATA1_TX_P	1	49	SATA-A+
AD37	GT3_SATA1_TX_N	1	47	SATA-A-
AC38	GT3_SATA1_RX_P	1	41	SATA-B+
AC39	GT3_SATA1_RX_N	1	43	SATA-B-

Notes:

1. Series capacitor coupled, MGT I/F and I/O standards do not apply.

For more information, see [PCI_Express_M.2_Specification_Rev1.1_TS_12092016_NCB](#) on the [PCI-SIG](#) website.

The detailed RFSoc connections for the feature described in this section are documented in the ZCU208 board XDC file, referenced in [Appendix B: Xilinx Design Constraints](#).

FPGA Mezzanine Card Interface

The ZCU208 evaluation board supports the VITA 57.4 FPGA mezzanine card plus (FMC+ or FMCP) specification by providing a subset implementation of the high pin count connector at J28 (HSPC). FMC+ connectors use a 14 x 40 form factor, populated with 560 pins. The connector is keyed so that a mezzanine card, when installed on the ZCU208 evaluation board, faces away from the board.

FMCP Connector J28

Samtec SEAF series, 1.27 mm (0.050 in) pitch. Mates with SEAM series connector. More information about SEAF series connectors is available on the [Samtec, Inc.](#) website. More information about the VITA 57.4 FMC+ specification is available on the [VITA FMC Marketing Alliance](#) website.

The 560-pin FMC+ connector defined by the FMC specification (see [Appendix A: VITA57.4 FMCP Connector Pinout](#)) provides connectivity for up to:

- 160 single-ended or 80 differential user-defined signals
- 24 transceiver differential pairs
- 6 transceiver differential clocks
- 4 differential clocks
- 239 ground and 19 power connections

FMCP Connector J28

[Figure 2, callout 25]

The HSPC connector J28 implements a subset of the full FMCP connectivity:

- 68 single-ended or 34 differential user-defined pairs (34 LA pairs: LA[00:33])
- 8 transceiver differential pairs
- 2 transceiver differential clocks
- 2 differential clocks
- 239 ground and 16 power connections

See the FPGA Mezzanine Card (FMC) VITA 57.4 specification on the [VITA FMC Marketing Alliance](#) website for additional information on the FMCP HSPC connector.

The detailed RFSoc connections for the feature described in this section are documented in the ZCU208 board XDC file, referenced in [Appendix B: Xilinx Design Constraints](#).

Cooling Fan Connector

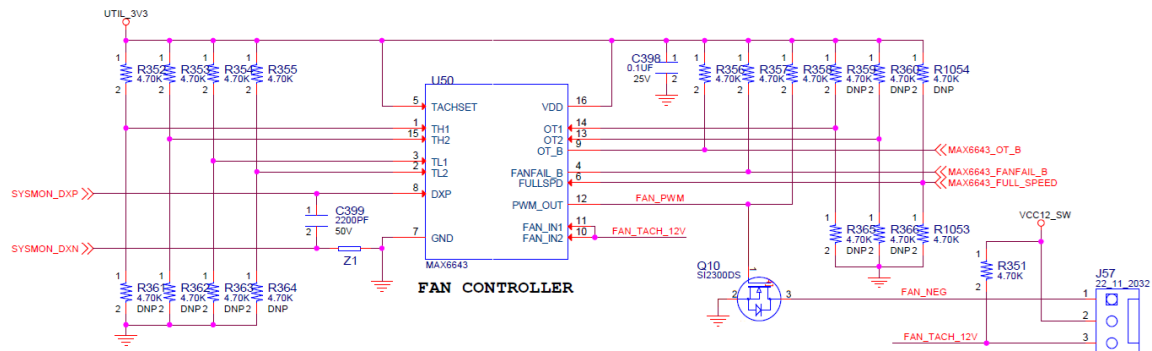
[Figure 2, near callout 33]

The ZCU208 uses the Infineon MAX6643 (U50) fan controller, which autonomously controls the fan speed by controlling the pulse width modulation (PWM) signal to the fan based on the die temperature sensed via the FPGA's DXP and DXN pins. The fan rotates slowly (acoustically quiet) when the RFSoc is cool and rotates faster as the FPGA heats up (acoustically noisy). The fan speed (PWM) versus the RFSoc die temperature algorithm along with the over temperature set point and fan failure alarm mechanisms are defined by the strapping resistors on the MAX6643 device. The over temperature and fan failures alarms can be monitored by any available processor in the RFSoc by polling the I2C expander U15 on the I2C0 bus. See the MAX6643 data sheet on the [Maxim Integrated Circuits](#) website for more information on the device circuit implementation on this board.

The ZCU208 cooling fan circuit is shown in the following figure.

Note: At initial power on, it is normal for the fan controller to energize at full speed for a few seconds.

Figure 19: ZCU208 Cooling Fan Circuit



VADJ_FMC Power Rail

The ZCU208 evaluation board implements the ANSI/VITA 57.1 section 5.5.1 IPMI support functionality. The power control of the VADJ_FMC power rail is managed by the U38 system controller. This rail powers the FMCP HSPC (J28) VADJ pins, as well as the ZU48DR HP banks 66 and 67. The valid values of the VADJ_FMC rail are 1.2V, 1.5V, and 1.8V.

At power on, the system controller detects if an FMC module is installed on J28:

- If no card is attached to the FMCP connector, the VADJ voltage is set to 1.8V.
- When an FMC card is attached, its IIC EEPROM is read to find a VADJ voltage supported by both the ZCU208 board and the FMC module, within the available choices of 0.0V, 1.2V, 1.5V, and 1.8V.
- If no valid information is found in an FMC card IIC EEPROM, the VADJ_FMC rail is set to 0.0V.

The system controller user interface allows the FMC IPMI routine to be overridden and an explicit value can be set for the VADJ_FMC rail. Override mode is useful for FMC mezzanine cards that do not contain valid IPMI EPROM data defined by the ANSI/VITA57.1 specification.

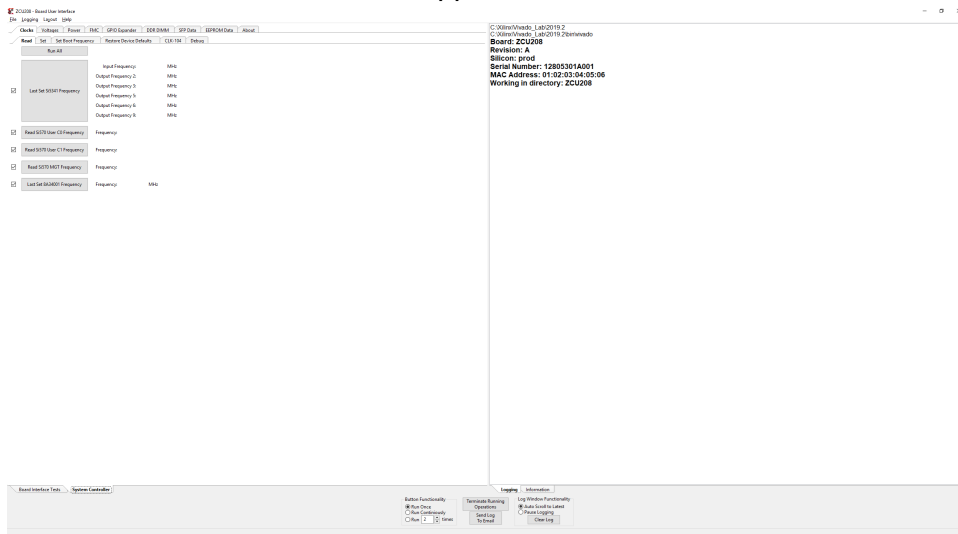
ZCU208 MSP430 System Controller

[Figure 2, callout 19]

The ZCU208 board includes an on-board MSP430 (U38) with integrated power advantage demonstration and system controller firmware. A host PC resident system controller board user interface is provided on the [ZCU208 documentation website](#). The board user interface allows the query and control of select programmable features such as clocks, FMC functionality, and power system parameters. The ZCU208 website also includes the *ZCU208 System Controller GUI Tutorial (XTP_TBD)* and *ZCU208 Software Install and Board Setup Tutorial (XTP_TBD)*.

These steps briefly summarize these instructions.

1. Ensure that the Silicon Labs VCP USB-UART drivers are installed *Silicon Labs CP210x USB-to-UART Installation Guide (UG1033)*.
2. Download the board user interface host PC application from the board documentation website.
3. Connect the micro-USB cable to the ZCU208 USB-UART connector (J24).
4. Power-cycle the ZCU208.
5. Observe that SYSCTLR LED0 (DS9) blinks and LED1 (DS10) is illuminated.
6. Launch the board user interface application.



On first use of the board user interface, go to the **FMC → Set VADJ → Boot-up** tab and click **USE FMC EEPROM Voltage**. The board user interface buttons gray out during command execution and return to their original appearance when ready to accept a new command.

See the ZCU208 System Controller GUI Tutorial (XTP_TBD) and the ZCU208 Software Install and Board Setup Tutorial (XTP_TBD) for more information on installing and using the system controller board user interface utility.

Switches

[Figure 2, callouts 23 and 24]

The ZCU208 board includes the following power, configuration, and reset switches:

- SW15 power on/off slide switch (callout 24)
- SW3 (PS_PROG_B), active-Low pushbutton (callout 23)
- SW4 (POR_B), active-Low pushbutton (callout 23)
- SW5 (SRST_B), active-Low pushbutton (callout 23)

- SW2 U1 RFSoc PS bank 503 4-pole mode DIP switch (callout 23)

Power On/Off Slide Switch

[Figure 2, callout 24]

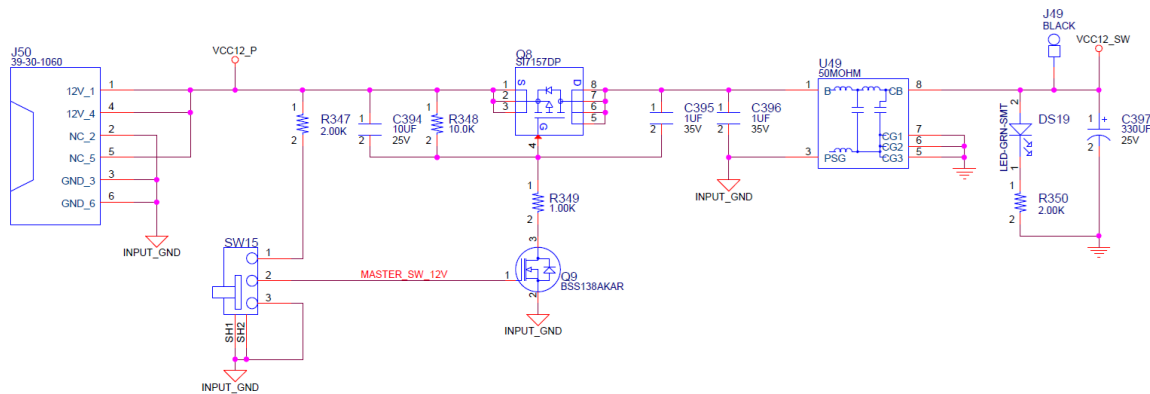
The ZCU208 board power switch is SW15. Sliding the switch actuator from the *off* to *on* position applies 12V power from J50, a 6-pin mini-fit connector. Green LED (DS19) illuminates when the ZCU208 board power is on. See [Board Power System](#) for details on the onboard power system.



CAUTION! Do NOT plug a PC ATX power supply 6-pin connector into the ZCU208 board power connector J50. The ATX 6-pin connector has a different pinout than J50. Connecting an ATX 6-pin connector into J50 damages the ZCU208 board and voids the board warranty.

The following figure shows the power connector J50, power switch SW2, and LED indicator DS19.

Figure 20: ZCU208 Power Input



Program_B Pushbutton

[Figure 2, callout 23]

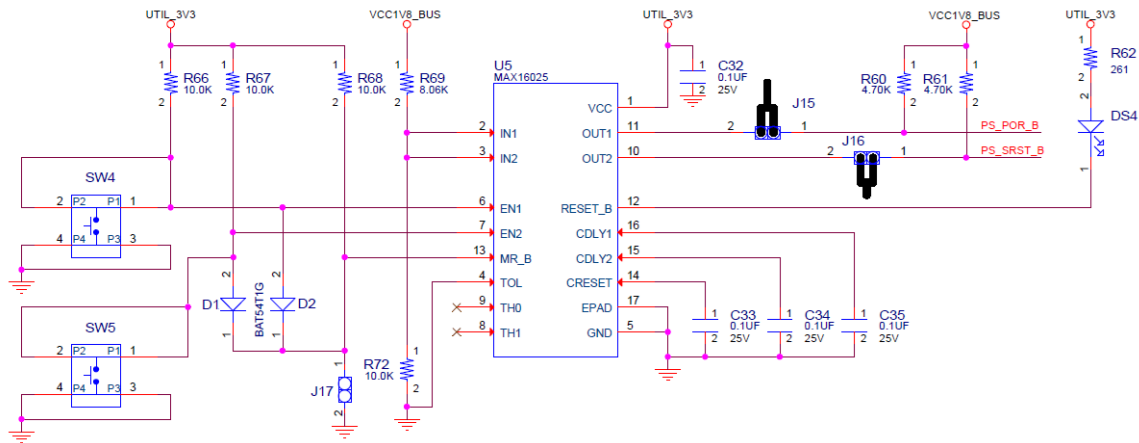
PS_PROG_B pushbutton switch SW3 grounds the ZU48DR RFSoc PS_PROG_B pin P32 when pressed. This action clears programmable logic configuration, which the PS software can then act on. See the [Zynq UltraScale+ Device Technical Reference Manual \(UG1085\)](#) for information about the Zynq UltraScale+ RFSoc configuration.

System Reset Pushbuttons

[Figure 2, callout 23]

The following figure shows the reset circuitry for the processing system.

Figure 21: POR_B SW4 and PS SRST_B SW5 Pushbutton Switches



PS_POR_B Reset

Depressing and then releasing pushbutton SW4 causes net PS_POR_B to strobe Low. This reset is used to hold the PS in reset until all PS power supplies are at the required voltage levels. It must be held Low through PS power-up. PS_POR_B must be generated by the power supply power-good signal. When the voltage at IN1 is below its threshold or EN1 (P.B. switch SW4 is pressed) goes Low, OUT1 (PS_POR_B) goes Low.

PS_SRST_B Reset

Depressing and then releasing pushbutton SW5 causes net PS_SRST_B to strobe Low. This reset is used to force a system reset. It can be tied or pulled High, and can be High during the PS supply power ramps. When the voltage at IN2 is below its threshold or EN2 (P.B. switch SW5 is pressed) goes Low, OUT2 (PS_SRST_B) goes Low.

Active-Low Reset Output RESET_B asserts when any of the monitored voltages (IN_) falls below its respective threshold, any EN_ goes Low, or MR is asserted. RST_B remains asserted for the reset time-out period after all of the monitored voltages exceed their respective threshold, all EN_ are High, all OUT_ are high, and MR is de-asserted. See the *Zynq UltraScale+ Device Technical Reference Manual (UG1085)* for more information about resets.

Board Power System

[Figure 2, callout 39, 40, and 41]

The ZCU208 evaluation board uses power management ICs (PMIC) and regulators from [Infineon Integrated Circuits](#) and [MPS](#) to supply the core and auxiliary voltages listed in the following table. Reference schematic 038-05003-01.

Table 25: ZCU208 Power System Devices

Ref. Des., PMBUS ADDR	Controller or Regulator	Rail Name	Voltage (V)	Max. Current (A)	INA226 Power Monitor	INA226 PMBUS ADDR	Sense Resistor (Ω)	Schem. Page
PMIC1 U104 (0X40)	IR35215_PWM1/2	V _{CCINT}	0.85	60	U65	0x40	R440: 0.0005	47
	IR35215_PWM1_L2	V _{CCINT_AMS}	0.85	28	U61	0x49	R1098: 0.0005	
PMIC2 U53 (0X44)	IRPS5401_A	V _{CC1V2}	1.2	6	U58	0x43	R408: 0.005	50
	IRPS5401_B	UTIL_1V13	1.13	500 mA	NA	NA	NA	
	IRPS5401_C	VADJ_FMC	1.8	6	U62	0x45	R382: 0.005	
	IRPS5401_D	Tied to channel C						
	IRPS5401_LDO	MGT1V8	1.8	500 mA	U64	0x48	R787: 0.005	
PMIC3 U55 (0X45)	IRPS5401_A	NC	NA	NA	NA	NA	NA	52
	IRPS5401_B	UTIL_2V5	2.5	500 mA	NA	NA	NA	
	IRPS5401_C	MGT1V2	1.2	7	U63	0x47	R400: 0.005	
	IRPS5401_D	Tied to 3C						
	IRPS5401_LDO	MGTRAVCC	0.85	500 mA	NA	NA	NA	
U127 (0X4B)	IR38164	V _{CCINT_IO_BRAM_PS}	0.85	18	U57	0x41	R1099: 0.0005	53
U112 (0x43)	IR38164	MGTAVCC	0.9	4	U67	0x46	R455: 0.002	54
U123 (0x4C)	IR38164	V _{CC1V8}	1.8	8	U60	0x42	R879: 0.002	55
U115	MPM3683-7	ADC_AVCC	0.925	4	U75	0x4C	R499: 0.005	56
U116	MPM3683-7	DAC_AVCC	0.925	6	U77	0x4E	R504: 0.005	56
U114	MPM3833C	ADC_AVCCAUX	1.8	2	U71	0x4D	R475: 0.005	57
U125	MPM3833C	DAC_AVCCAUX	1.8	1.5	U124	0x4B	R889: 0.005	58
U118	MPM3833C	DAC_AVCCAUX	2.5/3.0	1.5	U59	0x4A	R869: 0.005	58
U111	IR3889	UTIL_3V3	3.3	15	NA	NA	NA	60
U126	IR3889	UTIL_5V0	5	10	NA	NA	NA	61
U79	IR3897	PL_DDR4_C0_VT T	0.6	+/- 3.0	NA	NA	NA	61
U108	IR3897	PL_DDR4_C1_VT T	0.6	+/- 3.0	NA	NA	NA	61
U80	IR3897	PS_DDR4_VTT	0.6	+/- 3.0	NA	NA	NA	62

The FMCP HSPC (J28) V_{ADJ} pins and RFSoc U1 banks 66 and 67 V_{CCO} pins are wired to the programmable rail VADJ_FMC. The VADJ_FMC rail is programmed to 1.80V by default.

Documentation describing PMBUS programming for the Infineon power controllers as well as PMIC and voltage regulator data sheets are available on the [Infineon Integrated Circuits](#) website.

Non-PMBus ADC and DAC voltage regulator data sheets can be viewed on the [MPS](#) website.

The PCB layout and power system design meet the recommended criteria described in the *UltraScale Architecture PCB Design User Guide (UG583)*.



RECOMMENDED: To ensure reliable operation, Xilinx recommends running the `report_power` command in the Vivado tools for designs targeting this board. The reported rail current requirements must not exceed the values listed in the following table.

Table 26: Device Rail Maximum Current

Device Rail	Maximum Current (Amps)
V _{CCINT}	60
V _{CCINT_IO} + V _{CCBRAM} + V _{CC_PSINTLP} + V _{CC_PSINTFP} + V _{CC_PSINTFP_DDR}	18
MGTYV _{CCAUX} + V _{PS_MGTRAVTT}	0.5
MGTYA _{VCC}	4
V _{PS_MGTRAVCC}	0.5
MGTYA _{VTT} + V _{CC_PSPLL}	7
V _{CCINT_AMS}	28
V _{ADC_AVCC}	4
V _{ADC_AVCCAUX}	2
V _{DAC_AVCC}	6
V _{DAC_AVCCAUX}	1.5
V _{DAC_AVTT}	1.5
V _{CCAUX} + V _{CCAUX_IO} + V _{CCO 1.8V} + V _{CCAUX_IO} + V _{CC_PSAUX} + V _{CC_PSDDR_PLL} + V _{CCO_PSI00_500} + V _{CCO_PSI01_501} + V _{CCO_PSI02_502} + V _{CCO_PSI03_503} + V _{CCADC} + V _{CC_PSADC}	8
V _{CCO 1.2V} + V _{CCO_PSDDR_504}	6
V _{CCO #V} (# corresponds to VADJ programmed voltage)	6

The total device power must remain under 50W. To assist the Vivado tools in reporting when power exceeds this amount, add this XDC constraint:

```
set_operating_conditions -design_power_budget 50 ;# (50W max power)
```

Monitoring Voltage and Current

Voltage and current monitoring and control are available for the Infineon power system controllers through the Infineon PowIRCenter graphical user interface. The PMBus interface controllers and regulators are accessed through 1x3 PMBus connector J21, that is provided for use with the Infineon PowIRCenter USB cable (Infineon part number USB005) and can be ordered from the [Infineon Integrated Circuits](https://www.infineon.com) website. The associated Infineon PowerTool GUI can be downloaded from the Infineon website. This is the simplest and most convenient way to monitor the voltage and current values for the Infineon PMBus programmed power rails listed in [Table 25](#).

Each Infineon PMIC controller is capable of reporting the voltage and current of its controlled rail to the Infineon GUI for display to the user. Fourteen rails have a TI INA226 PMBus power monitor circuit with connections to the rail series current sense resistor. This arrangement permits the INA226 to report the sensed parameters separately on the INA226_PMBUS. The rails configured with the INA226 power monitors are shown in [Table 25](#).

As described in [I2C0 \(MIO 14-15\)](#), the I2C0 bus provides access to the PMBus power controllers and the INA226 power monitors through the U17 PCA9544A bus switch. All PMBus controlled Infineon regulators are tied to the IRPS5401_SDA/SCL PMBUS, while the INA226 power monitors are separated on to INA226_PMBUS.

[Figure 7](#) and [Table 10](#) document the I2C0 bus access path to the Infineon PMBus controllers and INA226 power monitor op amps. Also refer to schematic 038-05003-01. Power rail measurements are accessible to the system controller and RFSoc PL logic through their respective I2C0 bus connections.

VITA57.4 FMCP Connector Pinout

The following figure shows the pinout of the FPGA plus mezzanine card (FMCP) high pin count (HSPC) connector defined by the VITA 57.4 FMC specification. For a description of how the ZCU208 evaluation board implements the FMCP specification, see [FPGA Mezzanine Card Interface](#).

Figure 22: FMCP HSPC Connector Pinout

10 x 40	K	J	H	G	F	E	D	C	B	A
1	VREF_B_M2C	GND	VREF_A_M2C	GND	PG_M2C	GND	PG_C2M	GND	RES1	GND
2	GND	CLK3_BIDIR_P	PRSN1_M2C_L	CLK1_M2C_P	GND	HA01_P_CC	GND	DP0_C2M_P	GND	DP1_M2C_P
3	GND	CLK3_BIDIR_N	GND	CLK1_M2C_N	GND	HA01_N_CC	GND	DP0_C2M_N	GND	DP1_M2C_N
4	CLK2_BIDIR_P	GND	CLK0_M2C_P	GND	HA00_P_CC	GND	SBTCLK0_M2C_P	GND	DP8_M2C_P	GND
5	CLK2_BIDIR_N	GND	CLK0_M2C_N	GND	HA00_N_CC	GND	SBTCLK0_M2C_N	GND	DP8_M2C_N	GND
6	GND	HA03_P	GND	LA00_P_CC	GND	HA05_P	GND	DP0_M2C_P	GND	DP2_M2C_P
7	HA02_P	HA03_N	LA02_P	LA00_N_CC	HA04_P	HA05_N	GND	DP0_M2C_N	GND	DP2_M2C_N
8	HA02_N	GND	LA02_N	GND	HA04_N	GND	LA01_P_CC	GND	DP8_M2C_P	GND
9	GND	HA07_P	GND	LA03_P	GND	HA09_P	LA01_N_CC	GND	DP8_M2C_N	GND
10	HA05_P	HA07_N	LA04_P	LA03_N	HA08_P	HA09_N	GND	LA06_P	GND	DP3_M2C_P
11	HA05_N	GND	LA04_N	GND	HA08_N	GND	LA05_P	LA06_N	GND	DP3_M2C_N
12	GND	HA11_P	GND	LA08_P	GND	HA13_P	LA05_N	GND	DP7_M2C_P	GND
13	HA10_P	HA11_N	LA07_P	LA08_N	HA12_P	HA13_N	GND	GND	DP7_M2C_N	GND
14	HA10_N	GND	LA07_N	GND	HA12_N	GND	LA09_P	LA10_P	GND	DP4_M2C_P
15	GND	HA14_P	GND	LA12_P	GND	HA16_P	LA09_N	LA10_N	GND	DP4_M2C_N
16	HA17_P_CC	HA14_N	LA11_P	LA12_N	HA15_P	HA16_N	GND	GND	DP6_M2C_P	GND
17	HA17_N_CC	GND	LA11_N	GND	HA15_N	GND	LA13_P	GND	DP6_M2C_N	GND
18	GND	HA18_P	GND	LA16_P	GND	HA20_P	LA13_N	LA14_P	GND	DP5_M2C_P
19	HA21_P	HA18_N	LA15_P	LA16_N	HA19_P	HA20_N	GND	LA14_N	GND	DP5_M2C_N
20	HA21_N	GND	LA15_N	GND	HA19_N	GND	LA17_P_CC	GND	GND	DP5_M2C_P
21	GND	HA22_P	GND	LA20_P	GND	HB03_P	LA17_N_CC	GND	SBTCLK1_M2C_P	GND
22	HA23_P	HA22_N	LA19_P	LA20_N	HB02_P	HB03_N	GND	LA18_P_CC	GND	DP1_C2M_P
23	HA23_N	GND	LA19_N	GND	HB02_N	GND	LA23_P	LA18_N_CC	GND	DP1_C2M_N
24	GND	HB01_P	GND	LA22_P	GND	HB05_P	LA23_N	GND	DP9_C2M_P	GND
25	HB00_P_CC	HB01_N	LA21_P	LA22_N	HB04_P	HB05_N	GND	GND	DP9_C2M_N	GND
26	HB00_N_CC	GND	LA21_N	GND	HB04_N	GND	LA26_P	LA27_P	GND	DP2_C2M_P
27	GND	HB07_P	GND	LA25_P	GND	HB09_P	LA26_N	LA27_N	GND	DP2_C2M_N
28	HB06_P_CC	HB07_N	LA24_P	LA25_N	HB08_P	HB09_N	GND	GND	DP8_C2M_P	GND
29	HB06_N_CC	GND	LA24_N	GND	HB08_N	GND	TCK	GND	DP8_C2M_N	GND
30	GND	HB11_P	GND	LA29_P	GND	HB13_P	TDI	SCL	GND	DP3_C2M_P
31	HB10_P	HB11_N	LA28_P	LA29_N	HB12_P	HB13_N	TDO	SDA	GND	DP3_C2M_N
32	HB10_N	GND	LA28_N	GND	HB12_N	GND	3P3VAUX	GND	DP7_C2M_P	GND
33	GND	HB15_P	GND	LA31_P	GND	HB19_P	TMS	GND	DP7_C2M_N	GND
34	HB14_P	HB15_N	LA30_P	LA31_N	HB16_P	HB19_N	TRST_L	GA0	GND	DP4_C2M_P
35	HB14_N	GND	LA30_N	GND	HB16_N	GND	GA1	12P0V	GND	DP4_C2M_N
36	GND	HB18_P	GND	LA33_P	GND	HB21_P	3P3V	GND	DP6_C2M_P	GND
37	HB17_P_CC	HB18_N	LA32_P	LA33_N	HB20_P	HB21_N	GND	12P0V	DP6_C2M_N	GND
38	HB17_N_CC	GND	LA32_N	GND	HB20_N	GND	3E3V	GND	GND	DP5_C2M_P
39	GND	VIO_B_M2C	GND	VADJ	GND	VADJ	GND	3E3V	GND	DP5_C2M_N
40	VIO_B_M2C	GND	VADJ	GND	VADJ	GND	3E3V	GND	RES0	GND

Xilinx Design Constraints

Overview

The Xilinx design constraints (XDC) file template for the ZCU208 board provides for designs targeting the ZCU208 evaluation board. Net names in the constraints listed correlate with net names on the latest ZCU208 evaluation board schematic. Identify the appropriate pins and replace the net names with net names in the user RTL. See the *Vivado Design Suite User Guide: Using Constraints* ([UG903](#)) for more information.

The HSPC FMCP connector J28 is connected to Zynq[®] UltraScale+™ RFSoc U1 banks powered by the variable voltage VADJ_FMC. The FMC bank I/O standards must be uniquely defined by each customer because different FMC cards implement different circuitry.



IMPORTANT! See the [ZCU208 board documentation](#) ("Board Files" check box) for the XDC file.

HW-XM650/655 Balun Daughter Cards for Gen 3 RFSoc EVM

Overview

XM650 and XM655 are the RFMC 2.0 add-on cards for use with the Zynq® UltraScale+™ RFSoc Gen 3 ZCU208 evaluation board. These add-on cards enable ZCU208 connectivity from DAC and ADC for loopback evaluation and for instrumentation use cases. The ZCU208 board supports eight DACs and eight ADCs. The XM650 and XM655 cards provide connectivity of up to 16 DACs and 16 ADCs.

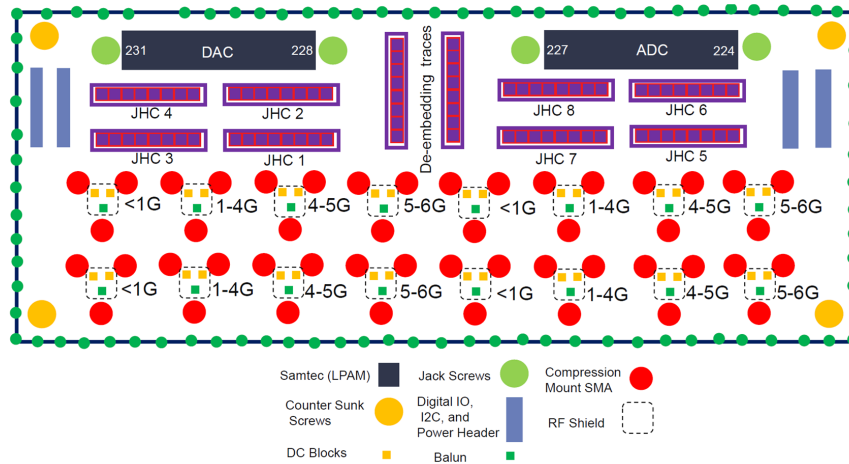
- The XM650 add-on card is a DAC to ADC loopback evaluation with N79 band baluns and filters, no external connectivity.
- The XM655 add-on card is a full break-out of 16 DAC channels x 16 ADC channels to SMA connectivity using Carlisle-CoreHC2 assembly connections.

Base board	ZCU208
ADC channels	8
DAC channels	8
Balun	XM650: N79 or B46 band with BOM change XM655: Low/mid/high frequency
Filter	XM650: N79 or B46 band with BOM change XM655: No
Interconnection	2x Samtec LPAM 8x50

Block Diagram

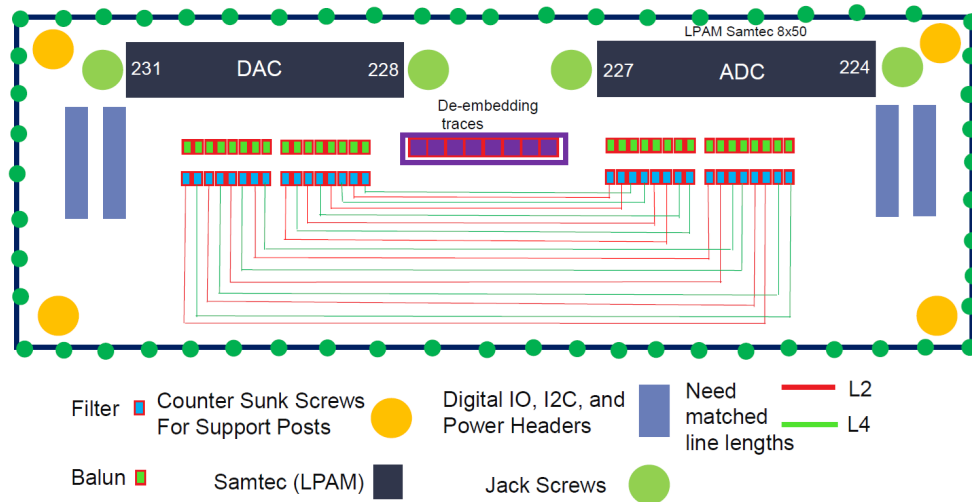
XM655: 16T16R Breakout Add-on Card

Figure 23: XM655 Block Diagram



XM650: 16T16R N79 Band Loopback Demo Add-on Card

Figure 24: XM650 Block Diagram



Connector

Table 28: RFMC 2.0 Connector Parameters

Parameter	Value
Part number	LPAM-50-01.0-L-08-2-K-TR
Data rate	18 Gb/s
Connector type	LP array (.050"/1.27 mm pitch)
I/O pins	8x50
Stack height	.157"/4.00 mm (Mated with LPAF-50-03.0-L-08-2-K-TR)
Make	SAMTEC
Description	Low profile open pin field array, male connector
Data sheet	See the Samtec website

Figure 25: LPAM-50-01.0-L-08-2-K-TR 3D View

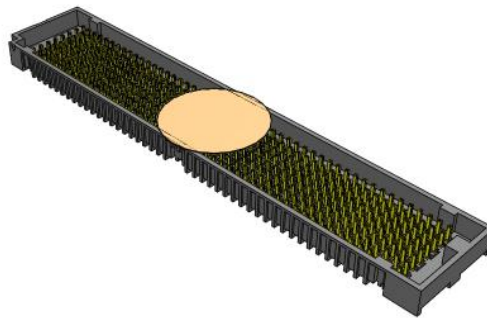
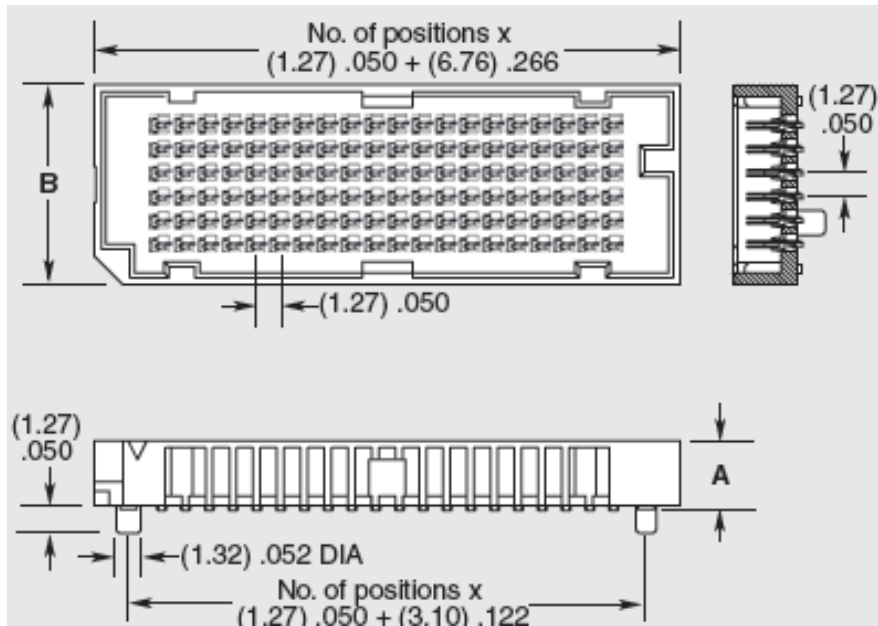


Figure 26: LPAM Connector Drawing



XM650/655 Connector Pinout

J55 DAC								
	A	B	C	D	E	F	G	H
1	GND	DACIO_VADJ	GND	DACIO_VADJ	GND	DAC_AVTT	GND	Spare 1
2	DACIO_00	GND	DACIO_04	GND	DACIO_08	GND	DACIO_12	GND
3	GND	DACIO_02	GND	DACIO_06	GND	DACIO_10	GND	DACIO_14
4	DACIO_01	GND	DACIO_05	GND	DACIO_09	GND	DACIO_13	GND
5	GND	DACIO_03	GND	DACIO_07	GND	DACIO_11	GND	DACIO_15
6	12V	GND	12V	GND	12V	GND	12V	GND
7	GND	12V	GND	12V	GND	12V	GND	12V
8	5v0	GND	5v0	GND	5v0	GND	5v0	GND
9	GND	5v0	GND	5v0	GND	5v0	GND	5v0
10	GND	GND	GND	GND	GND	GND	GND	GND
11	GND	DAC231_T3_CH3_N	DAC231_T3_CH3_P	GND	GND	GND	GND	GND
12	GND	GND	GND	GND	GND	GND	GND	GND
13	GND	GND	GND	GND	GND	GND	GND	GND
14	GND	GND	GND	GND	GND	DAC231_T3_CH2_N	DAC231_T3_CH2_P	GND
15	GND	GND	GND	GND	GND	GND	GND	GND

J55 DAC								
16	GND	DAC231_T3_CH1_N	DAC231_T3_CH1_P	GND	GND	GND	GND	GND
17	GND	GND	GND	GND	GND	GND	GND	GND
18	GND	GND	GND	GND	GND	GND	GND	GND
19	GND	GND	GND	GND	GND	DAC231_T3_CH0_N	DAC231_T3_CH0_P	GND
20	GND	GND	GND	GND	GND	GND	GND	GND
21	GND	DAC230_T2_CH3_N	DAC230_T2_CH3_P	GND	GND	GND	GND	GND
22	GND	GND	GND	GND	GND	GND	GND	GND
23	GND	GND	GND	GND	GND	GND	GND	GND
24	GND	GND	GND	GND	GND	DAC230_T2_CH2_N	DAC230_T2_CH2_P	GND
25	GND	GND	GND	GND	GND	GND	GND	GND
26	GND	DAC230_T2_CH1_N	DAC230_T2_CH1_P	GND	GND	GND	GND	GND
27	GND	GND	GND	GND	GND	GND	GND	GND
28	GND	GND	GND	GND	GND	GND	GND	GND
29	GND	GND	GND	GND	GND	DAC230_T2_CH0_N	DAC230_T2_CH0_P	GND
30	GND	GND	GND	GND	GND	GND	GND	GND
31	GND	DAC229_T1_CH3_N	DAC229_T1_CH3_P	GND	GND	GND	GND	GND
32	GND	GND	GND	GND	GND	GND	GND	GND
33	GND	GND	GND	GND	GND	GND	GND	GND
34	GND	GND	GND	GND	GND	DAC229_T1_CH2_N	DAC229_T1_CH2_P	GND
35	GND	GND	GND	GND	GND	GND	GND	GND
36	GND	DAC229_T1_CH1_N	DAC229_T1_CH1_P	GND	GND	GND	GND	GND
37	GND	GND	GND	GND	GND	GND	GND	GND
38	GND	GND	GND	GND	GND	GND	GND	GND
39	GND	GND	GND	GND	GND	DAC229_T1_CH0_N	DAC229_T1_CH0_P	GND
40	GND	GND	GND	GND	GND	GND	GND	GND
41	GND	DAC228_T0_CH3_N	DAC228_T0_CH3_P	GND	GND	GND	GND	GND
42	GND	GND	GND	GND	GND	GND	GND	GND
43	GND	GND	GND	GND	GND	GND	GND	GND
44	GND	GND	GND	GND	GND	DAC228_T0_CH2_N	DAC228_T0_CH2_P	GND
45	GND	GND	GND	GND	GND	GND	GND	GND
46	GND	DAC228_T0_CH1_N	DAC228_T0_CH1_P	GND	GND	GND	GND	GND
47	GND	GND	GND	GND	GND	GND	GND	GND

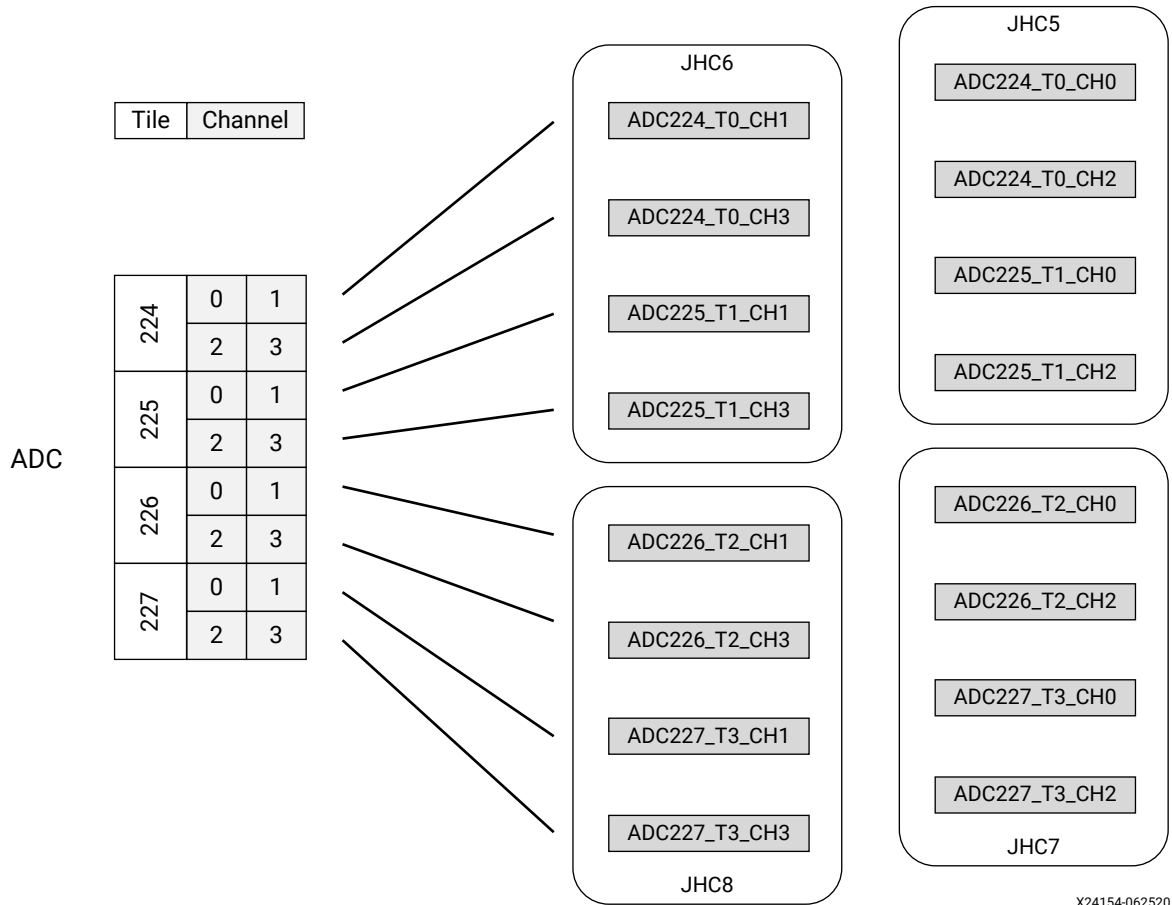
J55 DAC								
48	GND	GND	GND	GND	GND	GND	GND	GND
49	GND	GND	GND	GND	GND	DAC228_T0_CH0_N	DAC228_T0_CH0_P	GND
50	GND	GND	GND	GND	GND	GND	GND	GND

J49 ADC								
	A	B	C	D	E	F	G	H
1	GND	GND	GND	GND	GND	GND	GND	GND
2	GND	ADC227_T3_CH3_N	ADC227_T3_CH3_P	GND	GND	GND	GND	GND
3	GND	GND	GND	GND	GND	GND	GND	GND
4	GND	GND	GND	GND	GND	GND	GND	GND
5	GND	GND	GND	GND	GND	ADC227_T3_CH2_N	ADC227_T3_CH2_P	GND
6	GND	GND	GND	GND	GND	GND	GND	GND
7	GND	ADC227_T3_CH1_N	ADC227_T3_CH1_P	GND	GND	GND	GND	GND
8	GND	GND	GND	GND	GND	GND	GND	GND
9	GND	GND	GND	GND	GND	GND	GND	GND
10	GND	GND	GND	GND	GND	ADC227_T3_CH0_N	ADC227_T3_CH0_P	GND
11	GND	GND	GND	GND	GND	GND	GND	GND
12	GND	ADC226_T2_CH3_N	ADC226_T2_CH3_P	GND	GND	GND	GND	GND
13	GND	GND	GND	GND	GND	GND	GND	GND
14	GND	GND	GND	GND	GND	GND	GND	GND
15	GND	GND	GND	GND	GND	ADC226_T2_CH2_N	ADC226_T2_CH2_P	GND
16	GND	GND	GND	GND	GND	GND	GND	GND
17	GND	ADC226_T2_CH1_N	ADC226_T2_CH1_P	GND	GND	GND	GND	GND
18	GND	GND	GND	GND	GND	GND	GND	GND
19	GND	GND	GND	GND	GND	GND	GND	GND
20	GND	GND	GND	GND	GND	ADC226_T2_CH0_N	ADC226_T2_CH0_P	GND
21	GND	GND	GND	GND	GND	GND	GND	GND
22	GND	ADC225_T1_CH3_N	ADC225_T1_CH3_P	GND	GND	GND	GND	GND
23	GND	GND	GND	GND	GND	GND	GND	GND
24	GND	GND	GND	GND	GND	GND	GND	GND
25	GND	GND	GND	GND	GND	ADC225_T1_CH2_N	ADC225_T1_CH2_P	GND
26	GND	GND	GND	GND	GND	GND	GND	GND
27	GND	ADC225_T1_CH1_N	ADC225_T1_CH1_P	GND	GND	GND	GND	GND

J49 ADC								
28	GND	GND	GND	GND	GND	GND	GND	GND
29	GND	GND	GND	GND	GND	GND	GND	GND
30	GND	GND	GND	GND	GND	ADC225_T1_CH0_N	ADC225_T1_CH0_P	GND
31	GND	GND	GND	GND	GND	GND	GND	GND
32	GND	ADC224_T0_CH3_N	ADC224_T0_CH3_P	GND	GND	GND	GND	GND
33	GND	GND	GND	GND	GND	GND	GND	GND
34	GND	GND	GND	GND	GND	GND	GND	GND
35	GND	GND	GND	GND	GND	ADC224_T0_CH2_N	ADC224_T0_CH2_P	GND
36	GND	GND	GND	GND	GND	GND	GND	GND
37	GND	ADC224_T0_CH1_N	ADC224_T0_CH1_P	GND	GND	GND	GND	GND
38	GND	GND	GND	GND	GND	GND	GND	GND
39	GND	GND	GND	GND	GND	GND	GND	GND
40	GND	GND	GND	GND	GND	ADC224_T0_CH0_N	ADC224_T0_CH0_P	GND
41	GND	GND	GND	GND	GND	GND	GND	GND
42	GND	VCM_ADC22_4_T0_CH23	GND	VCM_ADC22_5_T1_CH23	GND	VCM_ADC22_6_T2_CH23	GND	VCM_ADC22_7_T3_CH23
43	VCM_ADC22_4_T0_CH01	GND	VCM_ADC22_5_T1_CH01	GND	VCM_ADC22_6_T2_CH01	GND	VCM_ADC22_7_T3_CH01	GND
44	GND	3V3	GND	3V3	GND	3V3	GND	3V3
45	3V3	GND	3V3	GND	3V3	GND	3V3	GND
46	GND	ADCIO_02	GND	ADCIO_06	GND	ADCIO_10	GND	ADCIO_14
47	ADCIO_00	GND	ADCIO_04	GND	ADCIO_08	GND	ADCIO_12	GND
48	GND	ADCIO_03	GND	ADCIO_07	GND	ADCIO_11	GND	ADCIO_15
49	ADCIO_01	GND	ADCIO_05	GND	ADCIO_09	GND	ADCIO_13	GND
50	GND	I2C_SCL	GND	I2C_SDA	GND	ADCIO_VADJ	GND	ADCIO_VADJ

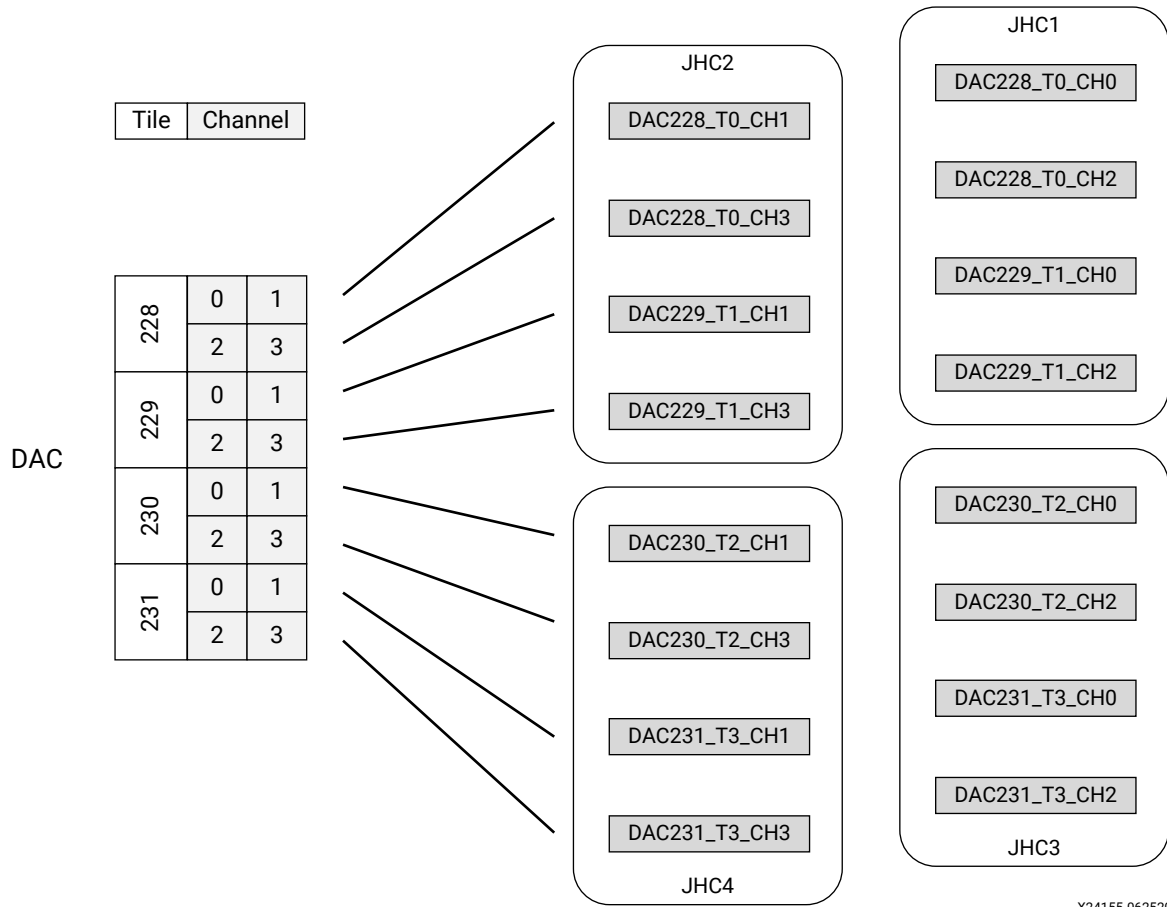
CoreHC2 Connector Pin Out (XM655 Only)

Figure 27: ADC 16 Lanes



X24154-062520

Figure 28: DAC 16 Lanes



Features

The XM655 balun add-on card uses the 8 x 50 x 2 female LPAM-50-01.0-L-08-2-K-TR connectors and pinout as defined in [XM650/655 Connector Pinout](#). For signal break-out Carlisle CoreHC2 connectors and cable assemblies are used. Digital I/O and I2C are supported on headers.

The XM655 module features are:

- 8 ADC differential signals to 4 male Carlisle CoreHC2 connector pads
- 8 DACs differential signals to 4 male Carlisle CoreHC2 connector pads
- 2 ADC inputs – compression mount SMAs through low frequency baluns – Minicircuits TCM2-33WX+
- 2 ADC inputs – compression mount SMAs through mid frequency baluns – Anaren BD1631J50100AHF

- 2 ADC inputs – compression mount SMAs through high frequency baluns – Anaren BD3150N50100AHF
- 2 ADC inputs - compression mount SMAs through high freq baluns – Anaren BD4859N50100AHF
- 2 DAC outputs compression mount SMAs through low frequency baluns – Minicircuits TCM2-33WX+
- 2 DAC outputs compression mount SMAs through mid frequency baluns – Anaren BD1631J50100AHF
- 2 DAC outputs compression mount SMAs through high frequency baluns – Anaren BD3150N50100AHF
- 2 DAC outputs - compression mount SMAs through high freq baluns – Anaren BD4859N50100AHF
- 20 DACIO digital I/O pins on a header strip
- 20 ADCIO digital I/O pins on a header strip
- 12V, 5V0, 3V3, VCCADJ DAC, VCCADJ_ADC, DAV_AVTT, and GND, I2C signals access on a header strip

The XM650 balun add-on card demonstrations DAC to ADC loopback with a 16T16R configuration of N79 baluns and filters. There is no external connectivity to the ADC or DAC signals. Digital I/O and I2C are supported on headers.

The XM650 module features are:

- 16 DAC outputs looped back to 16 ADC inputs
- 32 N79 baluns and filters on the card
 - B46 or N79 band baluns can be supported with BOM change or rework by customers.
- 20 DACIO digital I/O pins on a header strip
- 20 ADCIO digital I/O pins on a header strip
- 12V, 5V0, 3V3, VCCADJ DAC, VCCADJ_ADC, DAV_AVTT, and GND access on a header strip

Board Specifications

Board Dimensions/Form Factor

When the module is mated with ZCU208 RFMC 2.0 connectors (Samtec LPAF-50-03.0-L-08-2-K-TR), the mated height between the boards will be 4.0 mm. No component is placed on the bottom side of the module.

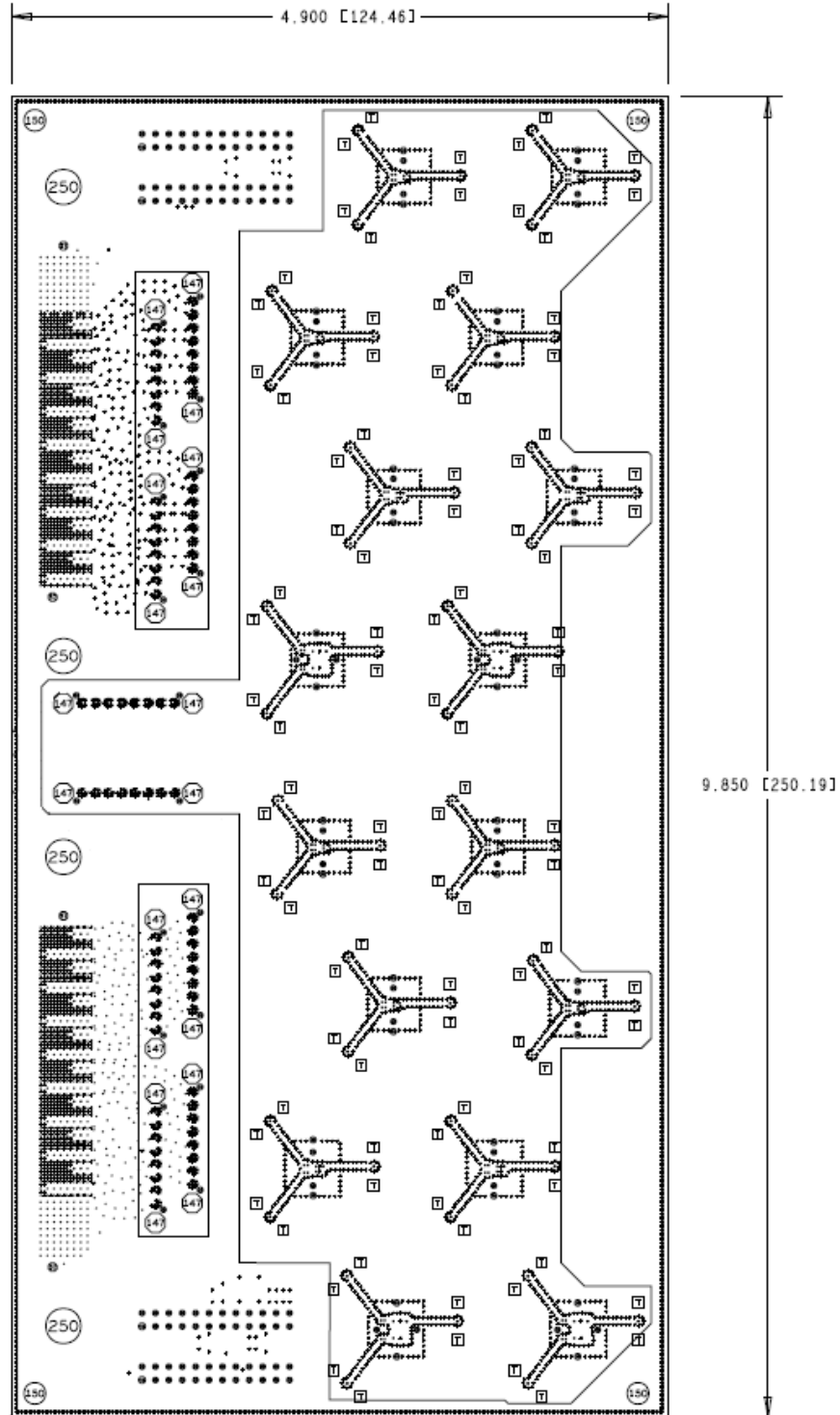
- **XM655 Dimensions:**

Length: 9.85" (250.19 mm)

Width: 4.90" (124.46 mm)

Thickness: 0.065" (1.651 mm)

Figure 29: XM655 Board Dimensions



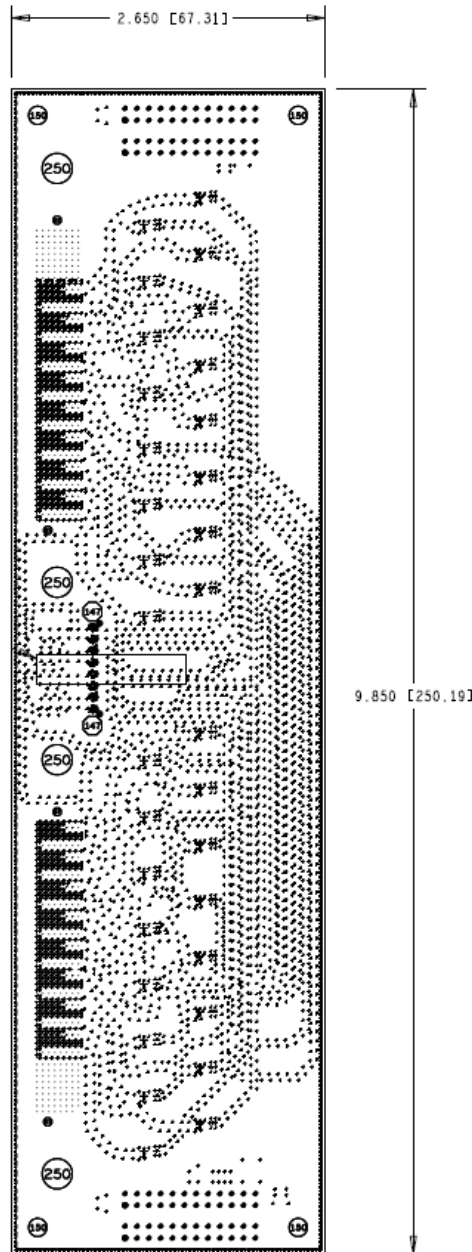
- **XM650 Dimensions:**

Length: 9.85" (250.19 mm)

Width: 2.65" (67.31 mm)

Thickness: 0.065" (1.651 mm)

Figure 30: XM650 Board Dimensions



Mounting Holes/Keepouts

There are four jack screws on the module and two edge standoff, as shown in the figure above. The boards are screwed to the ZCU208 board.

Table 29: Mounting Screws and Standoff Details

Parameters	Screw	Standoff
Part number	JSO-0415-01	Keystone 1894
Length	4 mm board stack height	0.625" + rubber bumper
Ordering part number	JSO-0415-01	1894
Description	Jack screw press-in standoff	#4-40 0.625" aluminum standoff
Data sheet	See the Samtec website	-

Functional Description

Cables/SMAs

XM655

Cables: Carlisle Core HC2 8 Channel – Male, 3.5 mm TM40-0157-00

Figure 31: Carlisle Core HC2 8 Channel–Male Cable

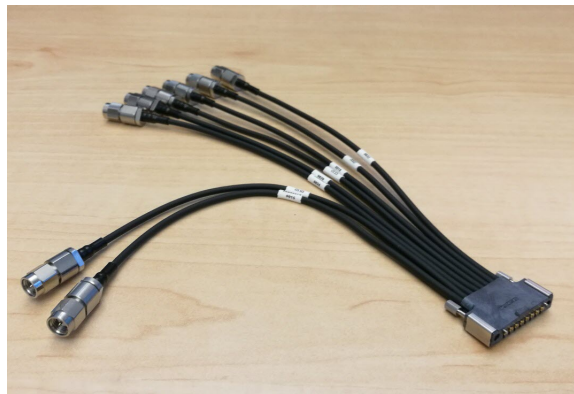
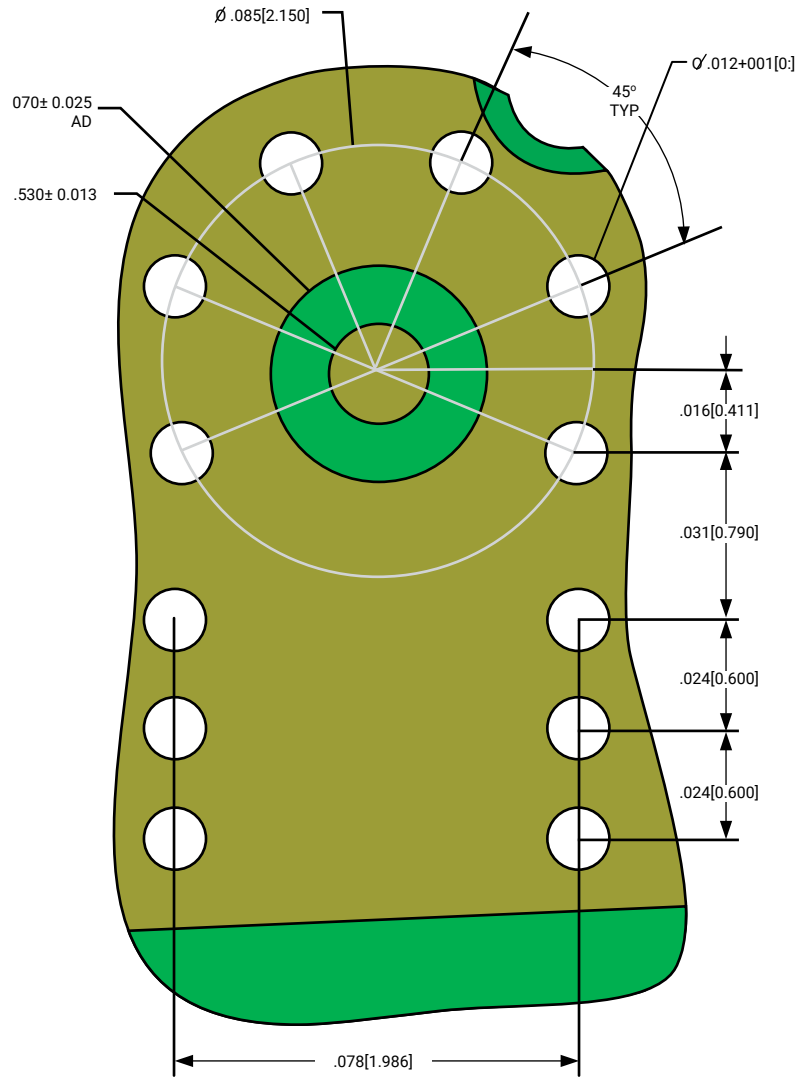


Figure 32: TM40-0157-00 Landing Pad



SMA: Carlisle Compression – Mount SMA, TMB-V5F2-1L1

Figure 33: TMB-V5F2-1L1 SMA Drawing

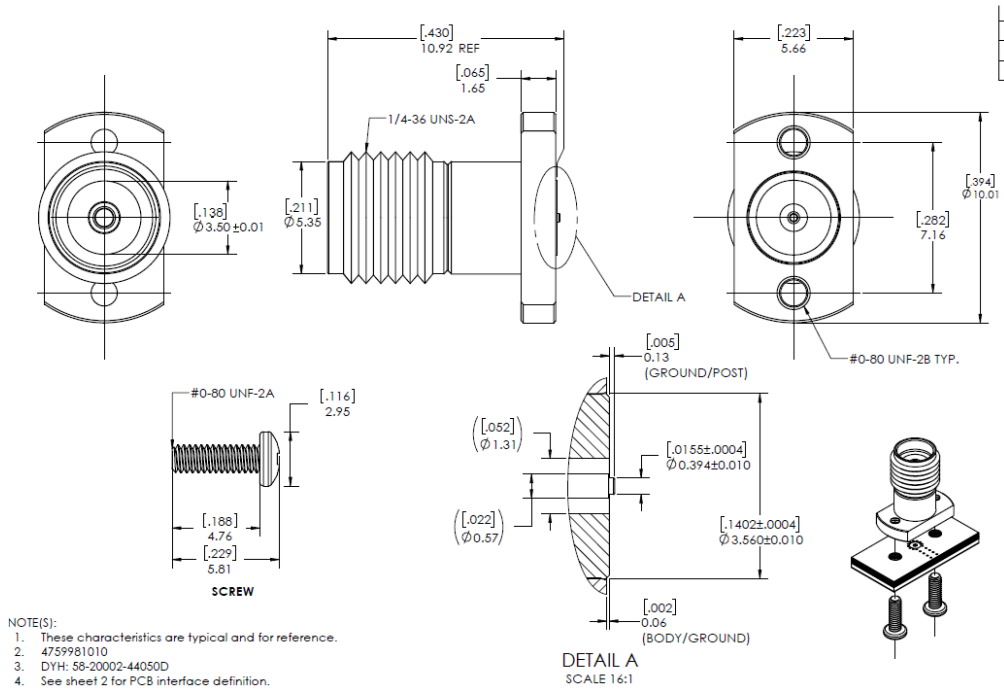


Figure 34: SMA to SMA Cable: Carlisle TM40-0159-00 6"



Balun/Filter

XM655

Table 30: Low Frequency Balun Part Number

Parameter	Value
Part number	TCM2-33WX+
Manufacturer	Minicircuits
Order P/N	TCM2-33WX+
Vendor	Minicircuits
Description	10 to 3 GHz RF transformer
Data sheet	See the Minicircuits website

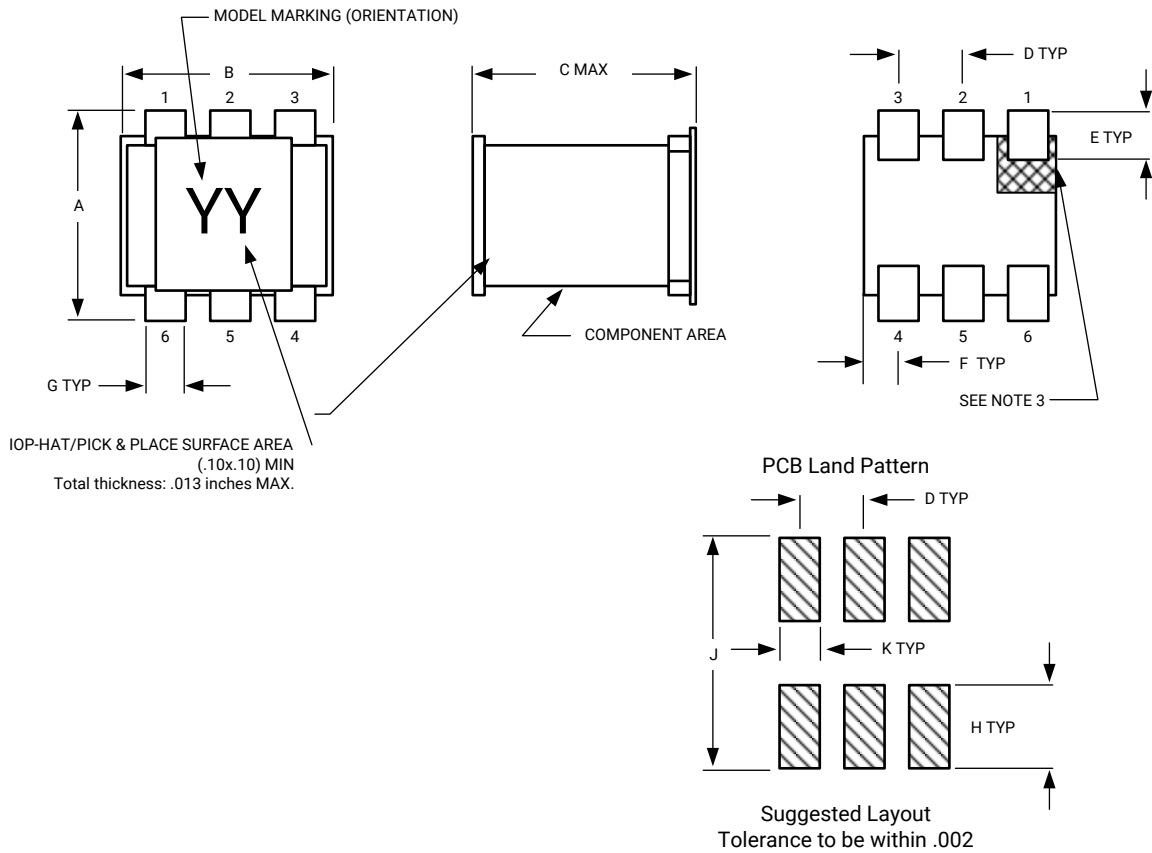
Table 31: Low Frequency Balun Specifications - Electrical Specifications at 25°

Parameter	Frequency (MHz)	Minimum	Type	Maximum	Unit
Impedance Ratio (secondary/primary)			2		
Frequency range		10	—	3000	MHz
Insertion loss ¹	10-3000	—	1.5	3.0	dB
Amplitude unbalance	10-3000	—	0.7	—	dB
Phase unbalance	10-3000	—	4	—	Degree

Notes:

1. Insertion loss is reference to mid-band loss, 0.8 dB typ.

Figure 35: Low Frequency Balun Drawing



X23660-012320

The following table lists the outline dimensions for the figure above.

Table 32: Outline Dimensions (mm)

A	B	C	D	E	F	G	H	J	K	Wt
0.160	0.150	0.160	0.050	0.040	0.025	0.028	0.065	0.190	0.030	grams
4.06	3.81	4.06	1.27	1.02	0.64	0.71	1.65	4.83	0.76	0.15

Table 33: Medium Frequency Balun Part Number

Parameter	Value
Part number	BD1631J50100AHF
Manufacturer	Anaren
Order P/N	1173-1059-2-ND
Vendor	Digikey
Description	Balun 1.6 GHZ-3.1 GHZ 50/100 0805
Data sheet	See the Anaren website

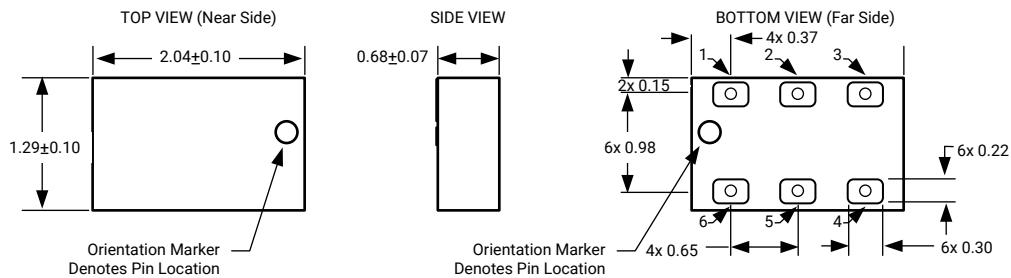
Figure 36: Medium Frequency Balun Specifications

Detailed Electrical Specifications*: Specifications subject to change without notice.

Features:	Parameter	ROOM (25°C)						Unit
		Min.	Typ.	Max	Min.	Typ.	Max	
• 1.6 – 3.1 GHz	Frequency	2.0		2.5	1.6		3.1	GHz
• 0.7mm Height Profile	Unbalanced Port Imp.		50			50		Ω
• 50 Ohm to 2 x 50 Ohm	Balanced Port Imp.**		100			100		Ω
• 802.11 b & g +n Compliant	Return Loss	14	17		10	13		dB
• Low Insertion Loss	Insertion Loss***		0.6	0.8		0.7	1.0	dB
• DCS, PCS & UMTS Compliant	Amplitude Balance		0.15	0.6		0.7	1.0	dB
• Input to Output DC Isolation	Phase Balance		2.3	4.8		2.3	4.8	Degrees
• Surface Mountable	Power Handling @85C			0.8			0.8	Watts
• Tape & Reel	Power Handling @100C			0.55			0.55	Watts
• Non-conductive Surface	Power Handling @105C			0.48			0.48	Watts
• RoHS Compliant	Operating Temperature	-55		+105	-55		+105	$^{\circ}\text{C}$
• Halogen Free								

 * Insertion Loss stated at room temperature (Insertion Loss is approximately 0.1 dB higher at +85 $^{\circ}\text{C}$)

Figure 37: Medium Frequency Balun Drawing


 Mechanical Outline
 -Dimensions are in Millimeters

Pin	Designation
1	Unbalanced
2	GND/DC Feed +RF GND
3	Balanced Port
4	Balanced Port
5	GND
6	NC

X23662-012320

Table 34: High Frequency Balun (4-5 GHz) Part Number

Parameter	Value
Part number	BD3150N50100AHF
Manufacturer	Anaren
Order P/N	1173-1069-2-ND
Vendor	Digikey
Description	Balun 3.1 GHZ-5 GHZ 50/100 0404
Data sheet	See the Anaren website

Figure 38: High Frequency Balun Specifications

Detailed Electrical Specifications: Specifications subject to change without notice.

Features:	Parameter	ROOM (25°C)						Unit
		Min.	Typ.	Max	Min.	Typ.	Max	
<ul style="list-style-type: none"> • 3100 – 5000 MHz • 0.57mm Height Profile • 50 Ohm to 2 x 50 Ohm • Low Insertion Loss • UWB & MMDS • Surface Mountable • Tape & Reel • Non-conductive Surface • RoHS Compliant • Halogen Free 	Frequency	3100		5000	5000		7000	MHz
	Unbalanced Port Impedance		50			50		Ω
	Balanced Port Impedance		100			100		Ω
	Return Loss	13	15		10	14		dB
	Insertion Loss*		0.7	0.9		0.7	0.9	dB
	Amplitude Balance		0.8	1.5		0.8	1.3	dB
	Phase Balance		3	7		15	20	Degrees
	CMRR		26			17		dB
	Power Handling @85C			1.0			1.0	Watts
	Power Handling @105C			0.6			0.6	Watts
	Operating Temperature		-55		+105			+105

* Insertion Loss stated at room temperature (Insertion Loss is approximately 0.1 dB higher at +85 °C)

Figure 39: High Frequency Balun Drawing

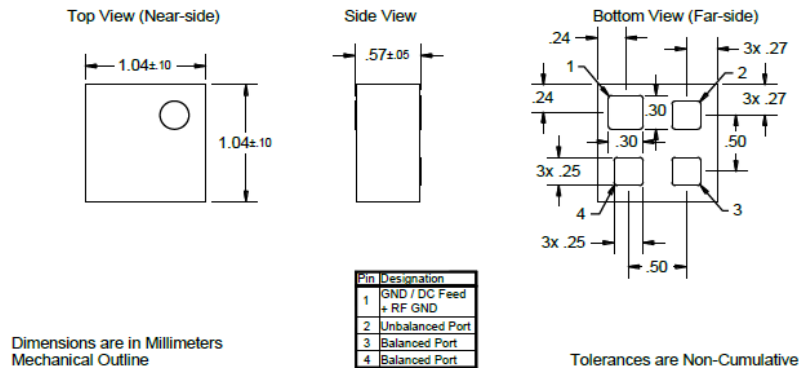


Table 35: High Frequency Balun (5-6 GHz) Part Number

Parameter	Value
Part number	BD4859N50100AHF
Manufacturer	Anaren
Order P/N	1173-1070-2-ND
Vendor	Digikey
Description	BALUN 4.8 GHz-5.9 GHz 50/100 0404
Data sheet	See the Anaren website

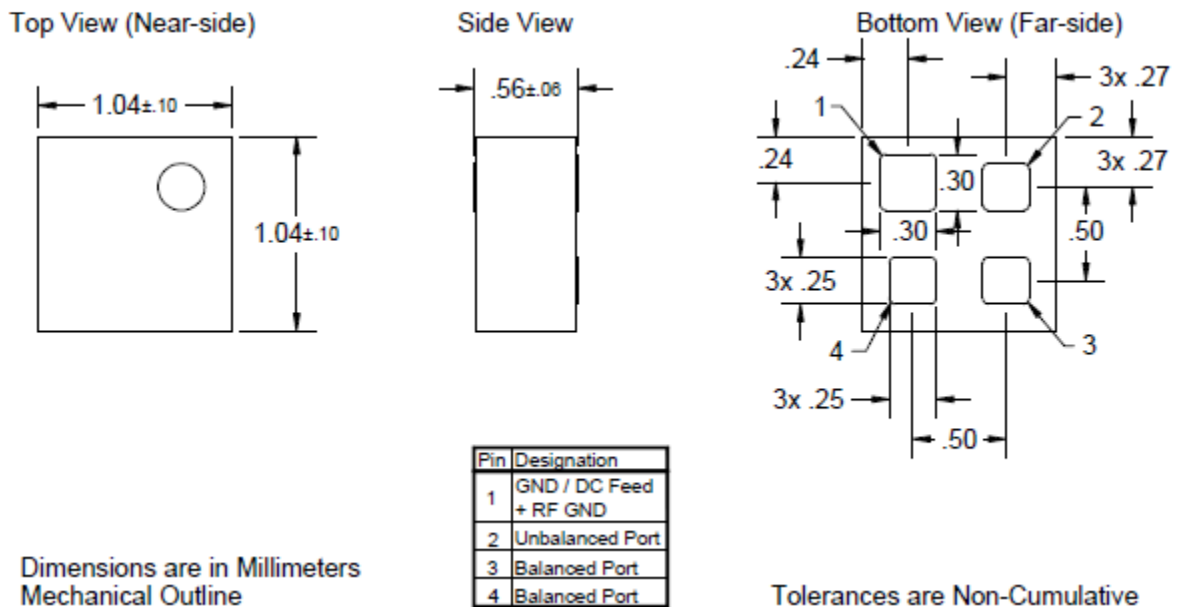
Figure 40: High Frequency Balun Specifications

Detailed Electrical Specifications: Specifications subject to change without notice.

Features:	Parameter	ROOM (25°C)			Unit
		Min.	Typ.	Max	
<ul style="list-style-type: none"> • 4800 – 5900 MHz • 0.57 mm Height Profile • 50 Ohm to 2 x 50 Ohm • Low Insertion Loss • 802.11a Uni-Band II & III • Home Cordless Compliant • Surface Mountable • Tape & Reel • Non-conductive Surface • RoHS Compliant • Halogen Free 	Frequency	4800		5900	MHz
	Unbalanced Port Impedance		50		Ω
	Balanced Port Impedance		100		Ω
	Return Loss	14	20		dB
	Insertion Loss*		0.6	0.8	dB
	Amplitude Balance		0.9	1.5	dB
	Phase Balance		3	8	Degrees
	CMRR		26		dB
	Power Handling			1	Watts
	Operating Temperature		-55		+85

* Insertion Loss stated at room temperature (Insertion Loss is approximately 0.1 dB higher at +85 °C)

Figure 41: High Frequency Balun Drawing



RF Cages

Table 36: RF Cages

Parameter	Value
Part number	LT-7925
Manufacturer	Leader Tech
Order P/N	LT-7925
Vendor	Leader Tech
Description	EMI cage
Data sheet	See the Leader Tech website

XM650

Table 37: N79 Band Pass Filter

Parameter	Value
Part number	LFB184G70CT6F122TEMP
Manufacturer	Murata
Order P/N	LFB184G70CT6F122TEMP
Vendor	Murata
Description	Band pass filter 4.4 GHz~5 GHz
Data sheet	See the Murata website

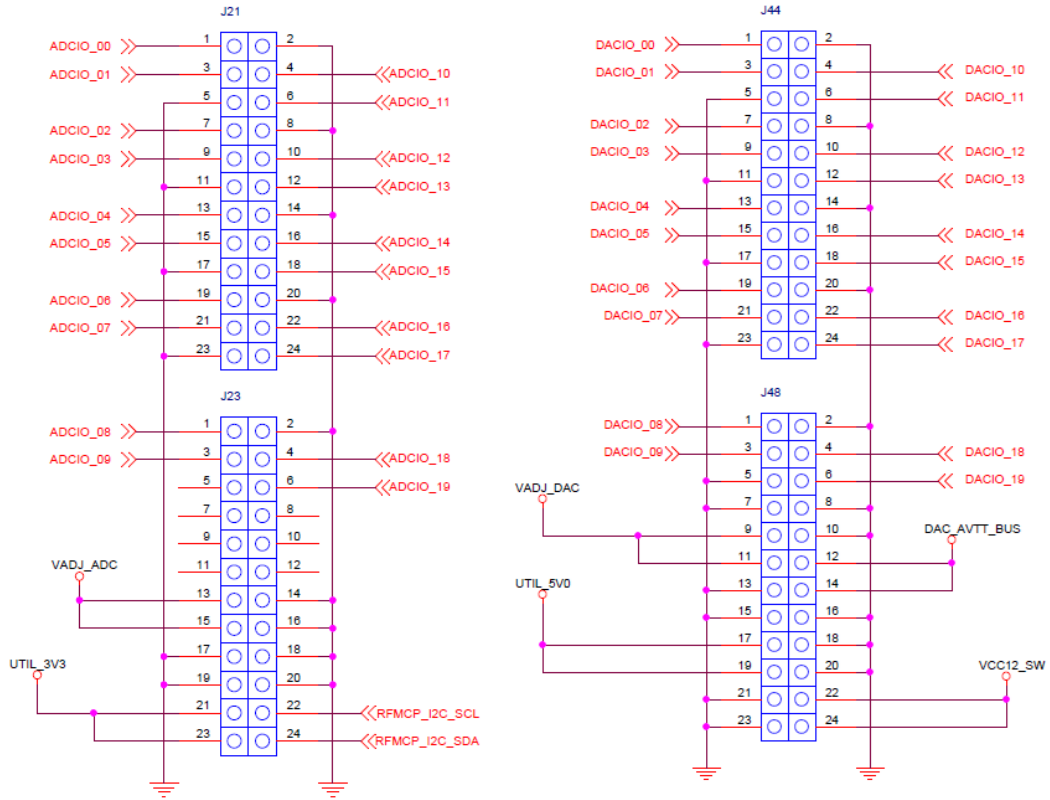
Table 38: N79 Balun

Parameter	Value
Part number	LDB184G7BAafa065TEMP
Manufacturer	Murata
Order P/N	LDB184G7BAafa065TEMP
Vendor	Murata
Description	Chip multilayer Balun 4.4 GHz~5 GHz
Data sheet	See the Murata website

Header

There are a total of 20 DACIO and 20 ADCIO digital I/O pins on the header strips.

Figure 42: High ADCIO and DACIO Digital I/O Header Pins



Additional Resources and Legal Notices

Xilinx Resources

For support resources such as Answers, Documentation, Downloads, and Forums, see [Xilinx Support](#).

Documentation Navigator and Design Hubs

Xilinx® Documentation Navigator (DocNav) provides access to Xilinx documents, videos, and support resources, which you can filter and search to find information. To open DocNav:

- From the Vivado® IDE, select **Help** → **Documentation and Tutorials**.
- On Windows, select **Start** → **All Programs** → **Xilinx Design Tools** → **DocNav**.
- At the Linux command prompt, enter `docnav`.

Xilinx Design Hubs provide links to documentation organized by design tasks and other topics, which you can use to learn key concepts and address frequently asked questions. To access the Design Hubs:

- In DocNav, click the **Design Hubs View** tab.
- On the Xilinx website, see the [Design Hubs](#) page.

Note: For more information on DocNav, see the [Documentation Navigator](#) page on the Xilinx website.

References

ZCU208 Evaluation Kit— [Master Answer Record 73499](#)

These documents provide supplemental material useful with this guide:

1. [Zynq UltraScale+ RFSoc Data Sheet: Overview \(DS889\)](#)
2. [Zynq UltraScale+ RFSoc Data Sheet: DC and AC Switching Characteristics \(DS926\)](#)
3. [Zynq UltraScale+ Device Technical Reference Manual \(UG1085\)](#)
4. [UltraScale Architecture PCB Design User Guide \(UG583\)](#)
5. [UltraScale Architecture-Based FPGAs Memory IP LogiCORE IP Product Guide \(PG150\)](#)
6. [UltraScale Architecture GTY Transceivers User Guide \(UG578\)](#)
7. [Vivado Design Suite User Guide: Using Constraints \(UG903\)](#)
8. [Tera Term Terminal Emulator Installation Guide \(UG1036\)](#)
9. [UltraScale Architecture System Monitor User Guide \(UG580\)](#)
10. ZCU208 System Controller Tutorial (XTP_TBD)
11. ZCU208 Software Install and Board Setup Tutorial (XTP_TBD)
12. [Micron Technology](#) (MTA4ATF51264HZ-2G6E1, MT40A512M16JY-075E, MT25QU02GCBB8E12-OSIT data sheets)
13. [Standard Microsystems Corporation \(SMSC\)](#) (USB3320 data sheet)
14. [SanDisk Corporation](#)
15. [SD Association](#)
16. [Silicon Labs](#) (SI570, SI5341B, SI5382A)
17. [Texas Instruments](#) (TCA9548A, PCA9544A, TCA6416A, DP83867, MSP430FS342)
18. [PCI-SIG](#)
19. [Samtec, Inc.](#) (SEAF, LPAF series connectors)
20. [VITA FMC Marketing Alliance](#) (FPGA Mezzanine Card (FMC) VITA 57.1, 57.4 specifications)
21. [Maxim Integrated Circuits](#) (MAX16025TE+, MAX6643)
22. [Infineon Integrated Circuits](#) (IR35215, IRPS5401, IR38164, IR3889, IR3897)
23. [Monolithic Power Systems](#) (MPM3683, MPM3833)
24. [Future Technology Devices International Ltd.](#) (FT4232HL)
25. [SNIA Technology Affiliates](#) (SFF-8402, SFF-8432)
26. [Nexperia/NXP Semiconductors](#) (IP4856CX25, SC18IS602)

Please Read: Important Legal Notices

The information disclosed to you hereunder (the "Materials") is provided solely for the selection and use of Xilinx products. To the maximum extent permitted by applicable law: (1) Materials are made available "AS IS" and with all faults, Xilinx hereby DISCLAIMS ALL WARRANTIES AND CONDITIONS, EXPRESS, IMPLIED, OR STATUTORY, INCLUDING BUT NOT LIMITED TO WARRANTIES OF MERCHANTABILITY, NON-INFRINGEMENT, OR FITNESS FOR ANY PARTICULAR PURPOSE; and (2) Xilinx shall not be liable (whether in contract or tort, including negligence, or under any other theory of liability) for any loss or damage of any kind or nature related to, arising under, or in connection with, the Materials (including your use of the Materials), including for any direct, indirect, special, incidental, or consequential loss or damage (including loss of data, profits, goodwill, or any type of loss or damage suffered as a result of any action brought by a third party) even if such damage or loss was reasonably foreseeable or Xilinx had been advised of the possibility of the same. Xilinx assumes no obligation to correct any errors contained in the Materials or to notify you of updates to the Materials or to product specifications. You may not reproduce, modify, distribute, or publicly display the Materials without prior written consent. Certain products are subject to the terms and conditions of Xilinx's limited warranty, please refer to Xilinx's Terms of Sale which can be viewed at <https://www.xilinx.com/legal.htm#tos>; IP cores may be subject to warranty and support terms contained in a license issued to you by Xilinx. Xilinx products are not designed or intended to be fail-safe or for use in any application requiring fail-safe performance; you assume sole risk and liability for use of Xilinx products in such critical applications, please refer to Xilinx's Terms of Sale which can be viewed at <https://www.xilinx.com/legal.htm#tos>.

Copyright

© Copyright 2020 Xilinx, Inc. Xilinx, the Xilinx logo, Alveo, Artix, Kintex, Spartan, Versal, Virtex, Vivado, Zynq, and other designated brands included herein are trademarks of Xilinx in the United States and other countries. AMBA, AMBA Designer, Arm, ARM1176JZ-S, CoreSight, Cortex, PrimeCell, Mali, and MPCore are trademarks of Arm Limited in the EU and other countries. All other trademarks are the property of their respective owners.

Mouser Electronics

Authorized Distributor

Click to View Pricing, Inventory, Delivery & Lifecycle Information:

[Xilinx:](#)

[EK-U1-ZCU208-V1-G](#) [EK-U1-ZCU208-V1-G-J](#)