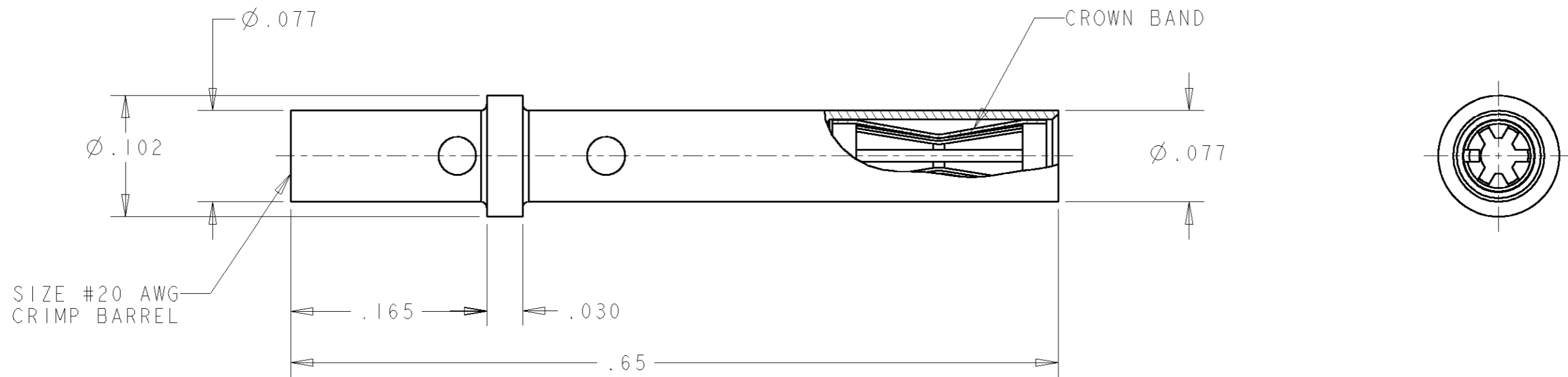


THIS DRAWING IS UNPUBLISHED. RELEASED FOR PUBLICATION 20
 © COPYRIGHT 20 BY TYCO ELECTRONICS CORPORATION. ALL RIGHTS RESERVED.

LOC	DIST	REVISIONS			
P	LTR	DESCRIPTION	DATE	DWN	APVD
GP	00	A	RELEASED	07JUN2006	RG SF



1. PART NUMBER CHANGES AND/OR DESIGN CHANGES AFFECTING ITEM INTERCHANGEABILITY REQUIRES PRIOR TYCO APPROVAL AND AUTHORIZATION BY REVISION TO THIS DRAWING.

2 MATERIAL:
 BODY: COPPER ALLOY
 CROWN BAND: BERYLLIUM COPPER

3 FINISH:
 BODY: GOLD PLATE .000010 MIN THK. OVER NICKEL
 .000040 MIN THK.
 CROWN BAND: GOLD PLATE .000030 MIN THK. IN CONTACT AREA
 OVER NICKEL .000040 MIN THK.

4. ITEMS PROVIDED TO THIS SPECIFICATION TO BE PERMANENTLY IDENTIFIED ON THE CONTAINER PER THE FOLLOWING IDENTIFIER:

AS SHOWN	1648325-1
DESCRIPTION	PART NUMBER

TYCO PART NUMBER
 XXXXXXXX-X

YEAR WEEK
 DATE CODE (eg. 0216)
 XXXX

<small>THIS DRAWING IS A CONTROLLED DOCUMENT FOR TYCO ELECTRONICS CORPORATION IT IS SUBJECT TO CHANGE AND THE CONTROLLING ENGINEERING ORGANIZATION SHOULD BE CONTACTED FOR THE LATEST REVISION.</small>		DWN 07JUN2006 R.GRZYBOWSKI CHK 07JUN2006 S.FLICKINGER APVD 07JUN2006 S.FLICKINGER		tyco Electronics Tyco Electronics Harrisburg, PA 17105-3608	
DIMENSIONS: INCHES 		TOLERANCES UNLESS OTHERWISE SPECIFIED: 0 PLC ±- 1 PLC ±- 2 PLC ±.01 3 PLC ±.005 4 PLC ±- ANGLES ±.5		NAME CONTACT, SOCKET, SIZE NO. 20 CRIMP STYLE, LOW INSERTION FORCE	
MATERIAL 		FINISH 		PRODUCT SPEC - APPLICATION SPEC - WEIGHT - CUSTOMER DRAWING	
SIZE CAGE CODE DRAWING NO A300779C-1648325			RESTRICTED TO - SCALE 10:1 SHEET 1 OF 1 REV A		