

Spring Contact SCTA_A Series (Standard Type)

| [Dimensions](#) | [Land Dimensions](#) | [Packing Specifications](#) | [Soldering Conditions](#) | [3D CAD](#) |



Part number
SCTA2A0100

- Q **Inquiry**
- ☰ **Series Common Info**
- 🖨️ **Print**

Dimensions (W×D) 1.4×1.4mm

Product height 1.4mm

Height in use 0.8 to 1.2mm

Mounting type Surface mounting type

Packing system Taping

Minimum order unit (pcs.) 13,000

Operating temperature range -30°C to +85°C

Rated current 3A

Contact resistance (Initial) Connector contacts 40mΩ max.

Stroke Frequency 500 times

3D CAD (STEP)

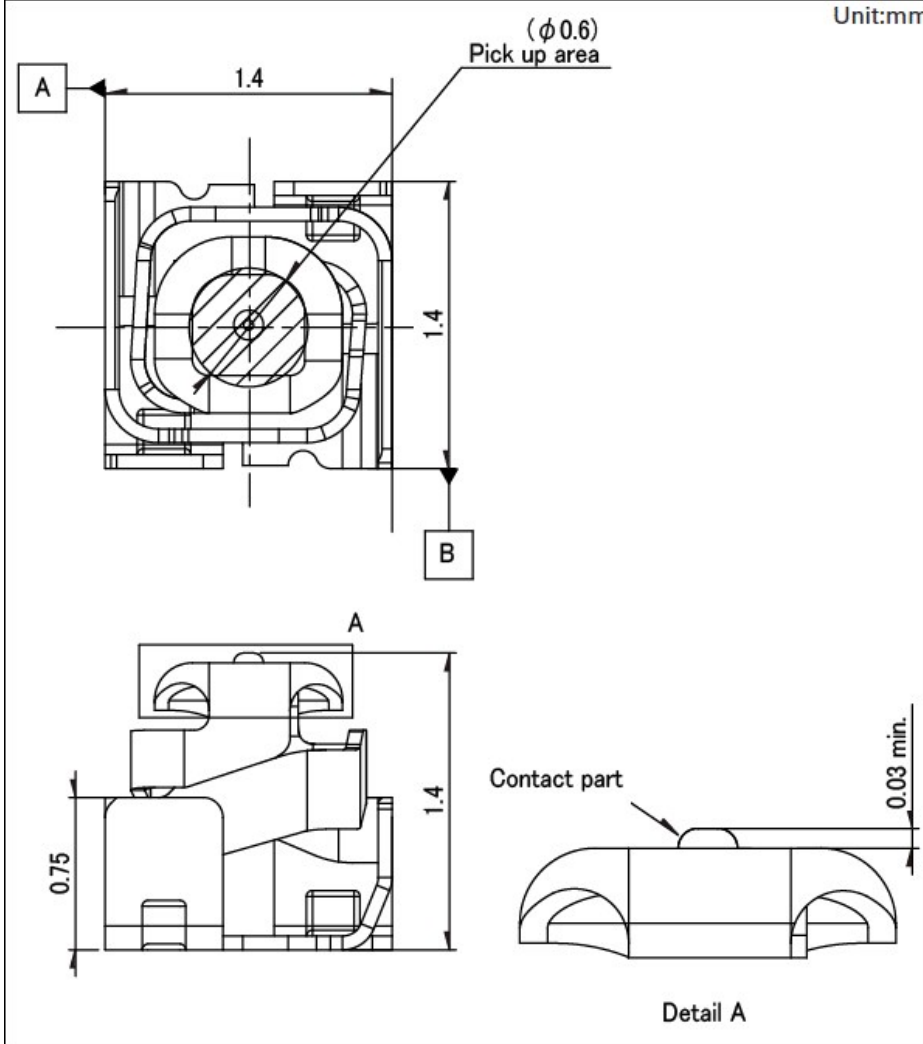


Certificate of Compliance to RoHS regulations

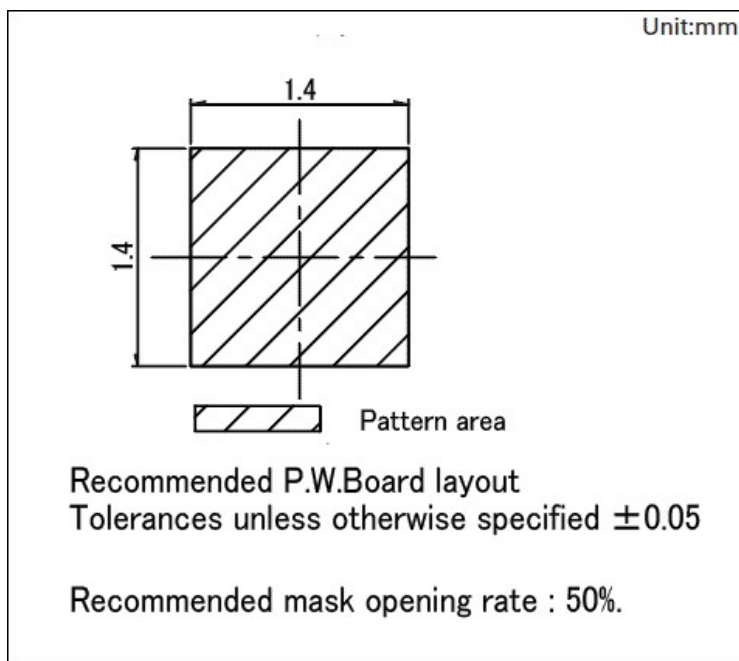


Dimensions

Unit:mm

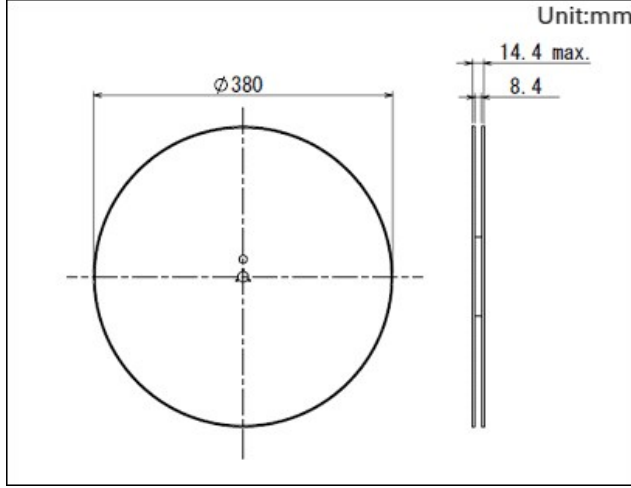


Land Dimensions



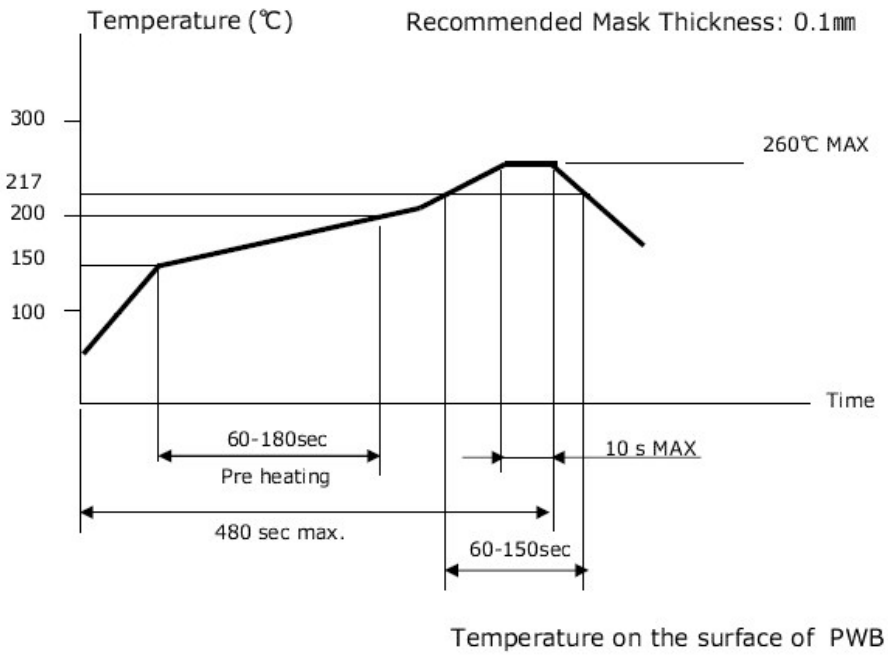
Packing Specifications

Taping



Number of packages (pcs.)	1 reel	13,000
	1 case / Japan	39,000
	1 case / export packing	78,000
Tape width (mm)	8	
Export package measurements (mm)	403×403×167	

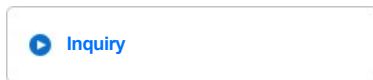
Soldering Conditions



Notes are common to this series/models.

1. This site catalog shows only outline specifications. When using the products, please obtain formal specifications for supply.
2. Please place purchase orders per minimum order unit (integer).

Inquiries about Products



Inquiries about Products



