



## SPECIFICATION FOR APPROVAL

CUSTOMER: CHIP

EVERCOOL MODEL NO: EC12025H12B

CUSTOMER MODEL NO: EC12025H12B

DESCRIPTION: DC12V FAN

<b>APPROVED BY (AUTHORISED)</b>	<b>APPROVED</b>
	<b>Alex</b>
	<b>CHECKED</b>
	<b>Xiongwei</b>
	<b>DRAWN</b>
	<b>Chenjie</b>
	<b>SALES</b>
	<b>Richard</b>

\* Please confirm your acceptance by return fax or mail.

SPEC NO	ISSUE DATE	EDITION	REVISED DATE
20240626G01	2024/6/26	A0(F2)	2024/6/26

THE PRODUCTION ACCORD WITH EUROPE UNION ROHS STANDARD

**EVERCOOL THERMAL CO., LTD**

NO. 123-8, HSING DE RD., SAN-CHUNG CITY,

TAIPEI HSIEN, TAIWAN, R.O.C.

TEL: 886-2-8512-2889 FAX: 886-2-8512-2890

[URL:www.evercool.com.tw](http://www.evercool.com.tw)

[EMAIL: coolest@ms14.hinet.net](mailto:coolest@ms14.hinet.net)

# I. GENERAL SPECIFICATION

Item	Specification
1.Part NO.	EC12025H12B
2.Outline Dimension	120*120*25
3.Rated Voltage	12 VDC
4.Starting Voltage	7 VDC
5.Operating Voltage Range	7 VDC~ 12 VDC
6.Rated Current*	0.65 A
7.Rated Power Consumption*	7.8 W
8.Rated Speed*	2600 RPM ± 15%
9.Max. Airflow**	96.15 CFM(ft3/min)
10.Max. Static Pressure**	0.3 In-H2O
11.Noise Level***	<43.6 dB(A)
12.Life Expectancy	50000 hrs at 25°C
13.No of Polarity	4 Poles
14.Direction of Rotation	Counter-Clockwise

**Noted:**

**\*Input Current Speed Power Consumption**

Measured after continuous 30 minutes operation at rated voltage in free air at ambient temperature of 25 °C, 65% relative humidity

**\*\*Performance**

Measured with use of double chamber. The value are recorded when the fan speed is stabilized at rated voltage.

**\*\*\*Noise Level**

Measured at rated voltage in a semi-anechoic chamber with background noise below than 20 dB(A).  
The measuring distance is in one meter from microphone to inlet of the fan.

## II. ELECTRICAL SPECIFICATION

Item		Specification
1.Polarity Protection	✓ YES	Be capable of endurance when Vcc & GRD are exchanged
	NO	
2.Auto restart	✓ YES	Locked motor protection
	NO	
3.Insulation Resistance		10MΩ/b/w unshielded wire and frame at 500 VDC/min
4.Dielectric Strength		5Ma Max./Measured b/w lead wire and frame at 500VAC/min

## III. MAIN MATERIALS / PARTS SPECIFICATION

Item		Specification				
1.Materials of Frame		Thermoplastic PBT of UL 94V-0(BK)				
2.Materials of Fan Blade						
3.Bobbin						
4.Bearing	✓	Dual ball bearing				
		1 ball & 1 sleeve bearing				
		Sleeve bearing				
		EL bearing				
5.Lead wire	✓	Red (+)	UL#	1007	26	AWG
	✓	Black (-)	UL#	1007	26	AWG
				---		
					---	
6.Connector		2510 2P				

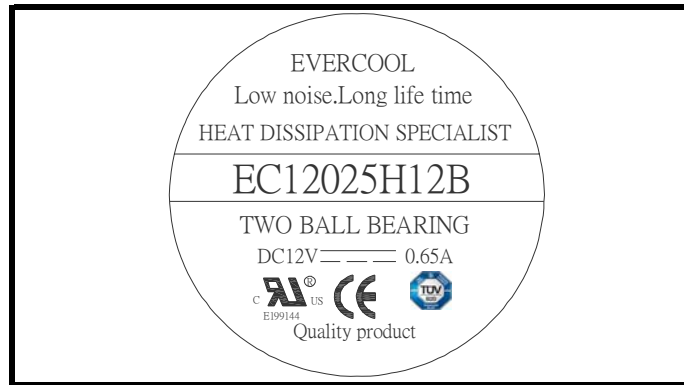
## IV. ENVIRONMENT SPECIFICATION

Item	Specification
1.Operation Temperature	-10°C ~+70°C/66%(RH), high / low temperature test for 24 hours, temperature change: 30°C/hours.
2.Storage Temperature	-40°C ~+70°C/66%(RH), high / low temperature test for 24 hours, temperature change: 30°C/hours.

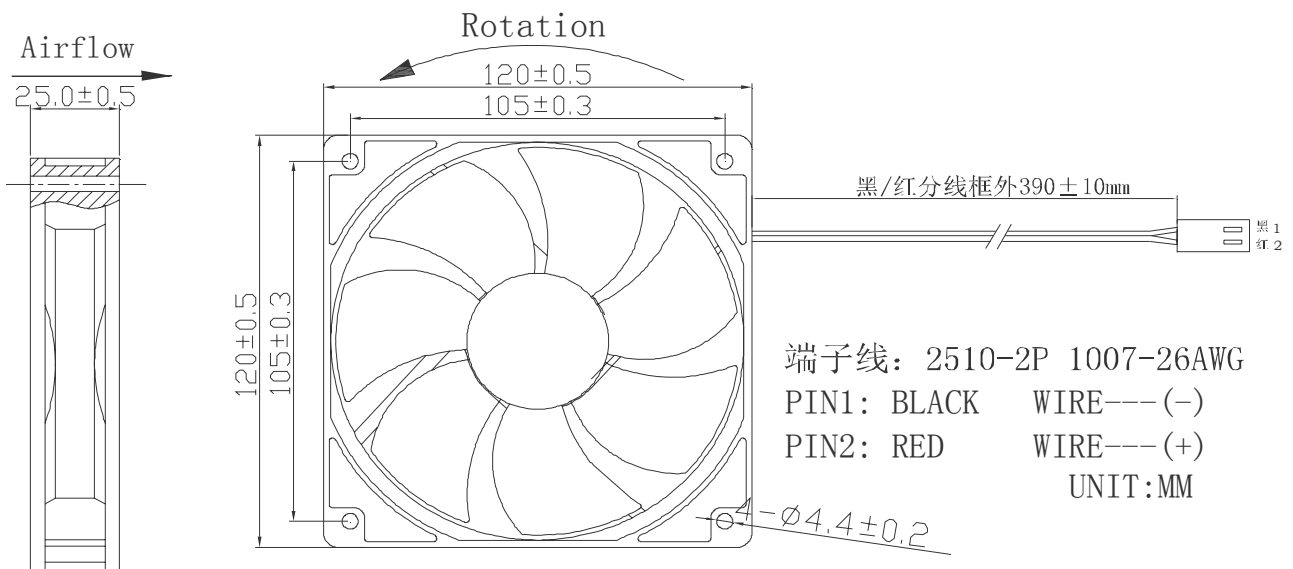
## V. DROPPING TEST

Prepared in minimum packing condition, fan will withstand one drop each on three surfaces from 30 cm height onto a 10mm thick hard wooden board.

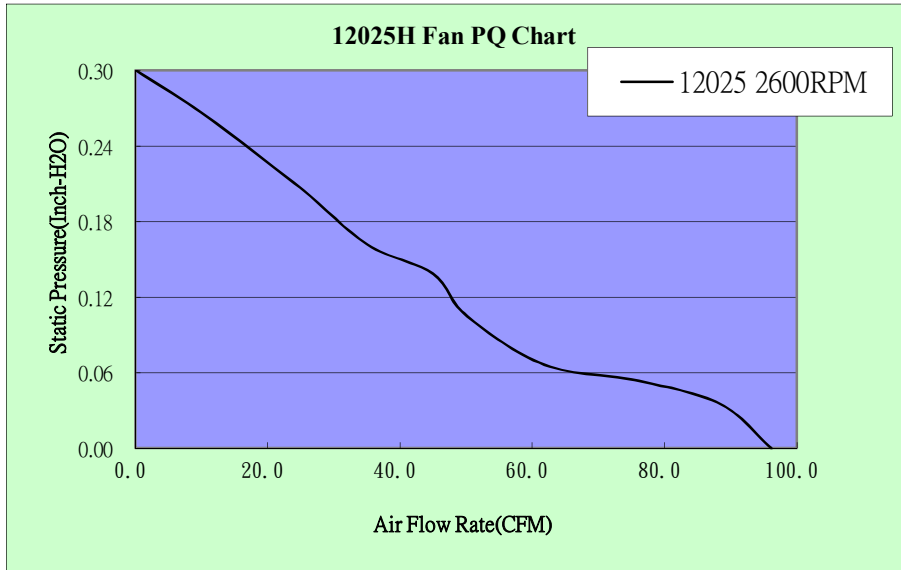
## VI. LABEL MARKING



## VII. OUTLINE DIMENSION



## VIII. P/Q Performance



	Q(cfm)	Ps(InchH2o)
1	0.000	0.300
2	10.489	0.265
3	24.826	0.207
4	35.124	0.162
5	44.923	0.139
6	50.170	0.105
7	61.867	0.066
8	76.118	0.053
9	88.488	0.035
10	96.152	0.000