

**DATA SHEET**

# SKY13586-678LF: 2.4 to 2.5 GHz SP3T Switch

## Applications

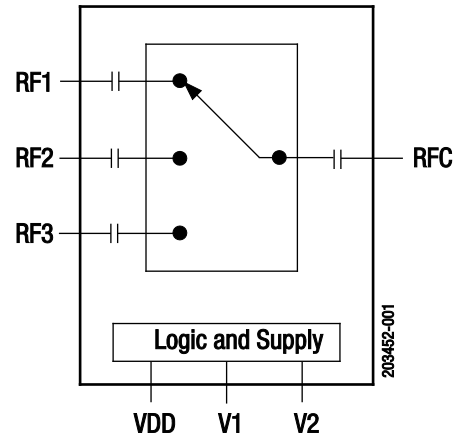
- 802.11 a/b/g/n/ac WLAN networks
- Suitable for Bluetooth® systems
- Smartphones
- Connectivity modules

## Features

- Positive low voltage control: 0/1.8 to 3.6 V
- Insertion loss: 0.75 dB @ 2.5 GHz (typical)
- High isolation: 35 dB @ 2.5 GHz (typical)
- 1.8 V and 3.3 V logic compatibility
- Wide 3 to 5 V supply voltage range
- Integrated DC blocking capacitors
- Miniature, ultra-thin MLP (8-pin, 1.1 x 1.1 x 0.33 mm) package (MSL1, 260 °C per JEDEC J-STD-020)



**Skyworks Green™ products are compliant with all applicable legislation and are halogen-free. For additional information, refer to Skyworks Definition of Green™, document number SQ04-0074.**



**Figure 1. SKY13586-678LF Block Diagram**

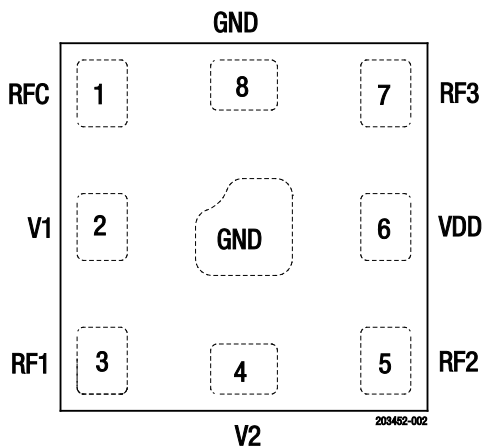
## Description

The SKY13586-678LF is a single-pole, triple-throw (SP3T) antenna switch for 2.4 GHz Wi-Fi applications. Switching between the antenna (RFC signal) and the RF1, RF2, and RF3 ports is accomplished with two control voltages (V1 and V2).

The low loss, high isolation, high linearity, small size, and low cost make this switch ideal for all WLAN and modules that are suitable for Bluetooth® systems operating in the 2.4 to 2.5 GHz band.

The SKY13586-678LF has integrated DC blocking capacitors, so external DC blocking capacitors are not required.

The SKY13586-678LF is manufactured in a compact, 1.1 x 1.1 x 0.33 mm, 8-pin Micro Leadframe Package (MLP). A functional block diagram is shown in Figure 1. The pin configuration and package are shown in Figure 2. Signal pin assignments and functional pin descriptions are provided in Table 1.



**Figure 2. SKY13586-678LF Pinout (Top View)**

**Table 1. SKY13586-678LF Signal Descriptions**

Pin	Name	Description	Pin	Name	Description
1	RFC	Antenna	5	RF2	RF port 2
2	V1	Switch logic control (see Table 4)	6	VDD	DC power supply
3	RF1	RF port 1	7	RF3	RF port 3
4	V2	Switch logic control (see Table 4)	8	GND	Ground

<sup>1</sup> Exposed GND pad must be grounded.

### Electrical and Mechanical Specifications

The absolute maximum ratings of the SKY13586-678LF are provided in Table 2. Electrical specifications are provided in Table 3.

The state of the SKY13586-678LF is determined by the logic provided in Table 4.

**Table 2. SKY13586-678LF Absolute Maximum Ratings<sup>1</sup>**

Parameter	Symbol	Minimum	Maximum	Units
Input power	P <sub>IN</sub>		+32	dBm
Supply voltage	V <sub>DD</sub>		6.0	V
Control voltage	V <sub>CTL</sub>		3.7	V
Storage temperature	T <sub>STG</sub>	-65	+150	°C
Operating temperature	T <sub>OP</sub>	-40	+90	°C

---

**ESD HANDLING:** Industry-standard ESD handling precautions must be adhered to at all times to avoid damage to this device.

---

**Table 3. SKY13586-678LF Electrical Specifications<sup>1</sup>**  
**(VDD = 3.3 V, VCTL = 0 V and +1.8 V, TOP = +25 °C, PIN = 0 dBm, Characteristic Impedance [Z0] = 50 Ω, Unless Otherwise Noted)**

Parameter	Symbol	Test Condition	Min	Typ	Max	Units				
Insertion loss	IL	2.4 to 2.5 GHz		0.75	0.95	dB				
Isolation RFC to RF1/RF2 or RF3	ISO	2.4 to 2.5 GHz	31	35		dB				
Isolation RF1 to RF2	ISO	2.4 to 2.5 GHz	35	40		dB				
Return loss	RL	2.4 to 2.5 GHz		12		dB				
P0.1db compression point	P0.1dB	2.4 to 2.5 GHz		+29		dBm				
Harmonics		PIN = +24 dBm, fo = 2.4 GHz:								
		2fo		-50		dBm				
		3fo		-32		dBm				
Input IP3	IP3	PIN = +20 dBm/tone, fo = 2.4 GHz		46		dBm				
Error vector magnitude	EVM	802.11g, 2.4 GHz, PIN = +24 dBm		-43	-38	dB				
		802.11g, 2.4 GHz, PIN = +25.5 dBm		-41	-36	dB				
Startup time	ts	50% VDD to 90% of RF		2	5	μs				
Switching speed	tsw	50% VCTL to 90% RF		300	400	ns				
Supply voltage	VDD	Normal test conditions	3	3.3	5	V				
Control voltage:	VCTL_H VCTL_L	Normal test conditions	1.6	1.8	3.6	V				
							High	0	0.4	V
							Low			
Supply current	IDD	Normal test conditions		5	10	μA				

<sup>1</sup> Performance is guaranteed only under the conditions listed in this table.

**Table 4. SKY13586-678LF Truth Table<sup>1</sup>**

VDD	V1	V2	RFC - RF1	RFC - RF2	RFC - RF3
1	1	1	OFF	ON	OFF
1	1	0	ON	OFF	OFF
1	0	1	OFF	ON	OFF
1	0	0	OFF	OFF	ON

<sup>1</sup> "1" indicates VDD = 3 to 5 V, VCTL = 1.6 to 3.6 V.

"0" indicates VCTL = 0 to 0.4 V.

Any state other than described in this table places the switch into an undefined state. An undefined state will not damage the device.

### Evaluation Board Description

The SKY13586-678LF Evaluation Board is used to test the performance of the SKY13586-678LF SP3T Switch.

An Evaluation Board schematic diagram is provided in Figure 3. An assembly drawing for the Evaluation Board is shown in Figure 4.

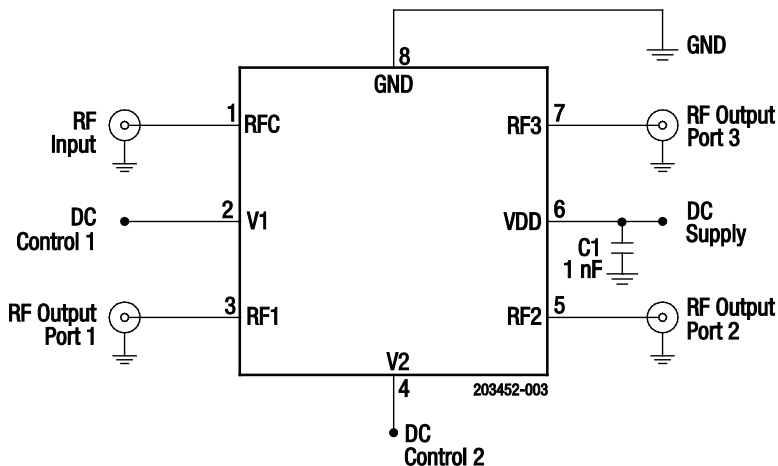


Figure 3. SKY13586-678LF Evaluation Board Schematic

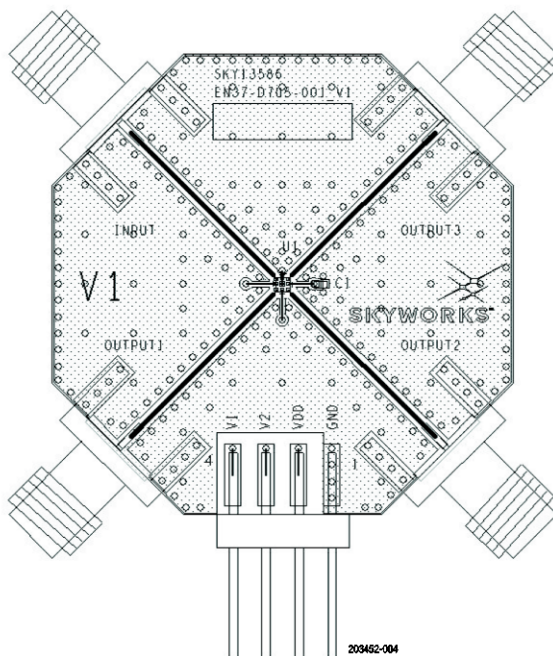


Figure 4. SKY13586-678LF Evaluation Board Assembly Diagram

### Package Dimensions

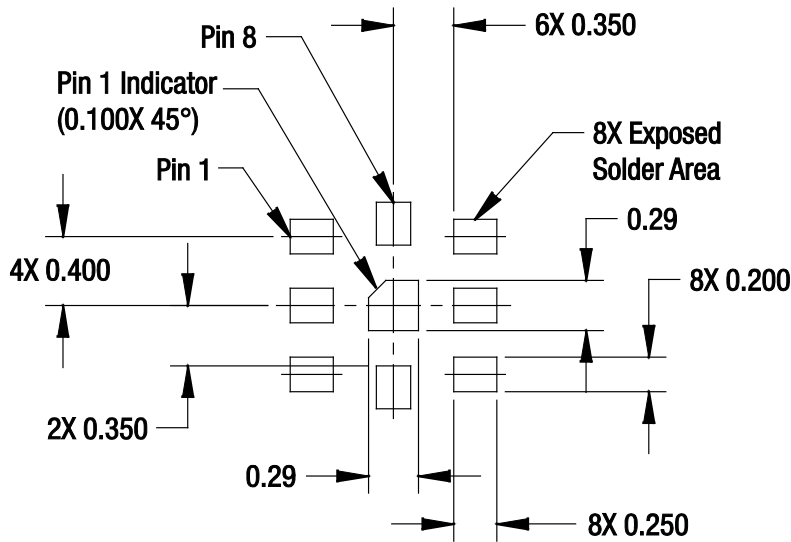
The PCB layout footprint for the SKY13586-678LF is provided in Figure 5. Typical part markings are shown in Figure 6. Package dimensions are shown in Figure 7, and tape and reel dimensions are provided in Figure 8.

### Package and Handling Information

Instructions on the shipping container label regarding exposure to moisture after the container seal is broken must be followed. Otherwise, problems related to moisture absorption may occur when the part is subjected to high temperature during solder assembly.

The SKY13586-678LF is rated to Moisture Sensitivity Level 1 (MSL1) at 260 °C. It can be used for lead or lead-free soldering.

Care must be taken when attaching this product, whether it is done manually or in a production solder reflow environment. Production quantities of this product are shipped in a standard tape and reel format.



203452-005

**Figure 5. SKY13586-678LF PCB Layout Footprint (Top View)**

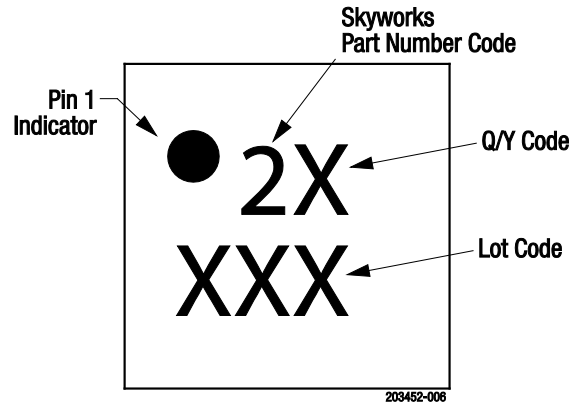
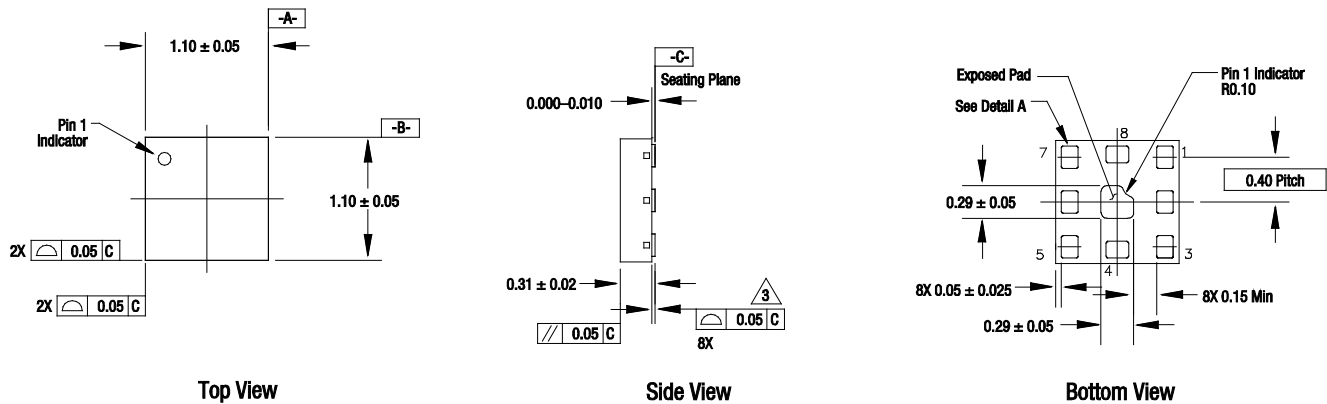


Figure 6. Typical Part Markings (Top View)



Notes:

1. Dimensions and tolerances according to ASME Y14.5M-2009.
2. All measurements are in millimeters.
3. Coplanarity applies to the terminals and all other bottom surface metallization.
4. Plating requirement per source control drawing (SCD) 2504.
5. Dimension applies to metallized terminal. If the terminal has a radius on its end, the dimension should not be measured in radius area.

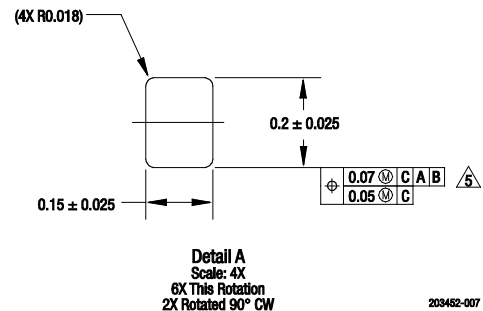
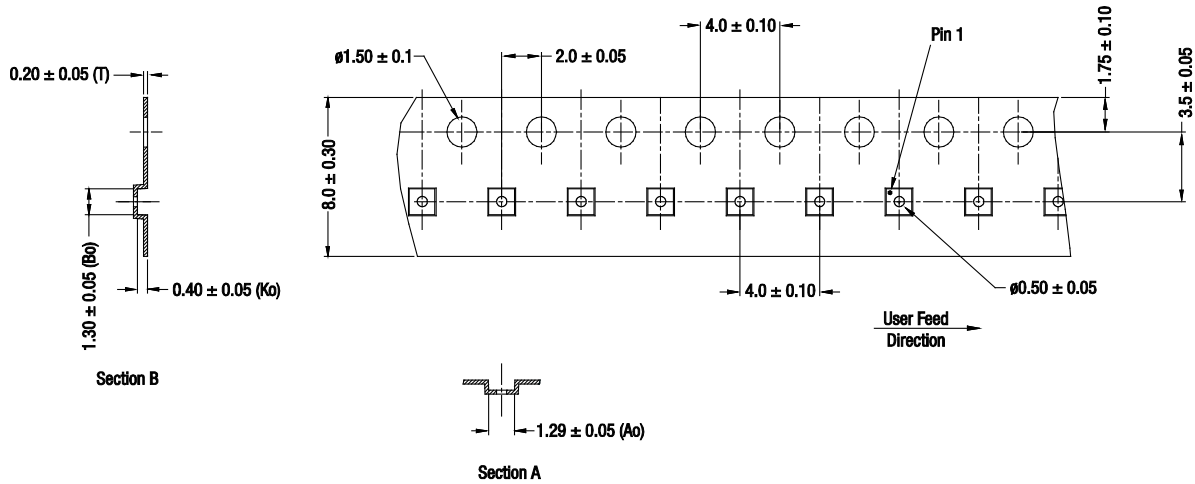


Figure 7. SKY13586-678LF Package Dimensions



**Notes:**

1. Carrier tape must meet all requirements of Skyworks GP01-D233 procurement spec for tape and reel shipping.
2. Carrier tape: black conductive polycarbonate or polystyrene.
3. Cover tape material: transparent conductive material.
4. ESD surface resistivity shall be  $\leq 1 \times 10^{10}$  Ohms/square per EIA, JEDEC TNR specification.
5. 10-sprocket hole pitch cumulative tolerance:  $\pm 0.20$  mm
6. All measurements are in millimeters.

203452-008

**Figure 8. SKY13586-678LF Tape and Reel Dimensions**

## Ordering Information

Part Number	Product Description	Evaluation Board Part Number
SKY13586-678LF	2.4 to 2.5 GHz SP3T Switch	SKY13586-678LF-EVB

Copyright © 2022 Skyworks Solutions, Inc. All Rights Reserved.

Information in this document is provided in connection with Skyworks Solutions, Inc. ("Skyworks") products or services. These materials, including the information contained herein, are provided by Skyworks as a service to its customers and may be used for informational purposes only by the customer. Skyworks assumes no responsibility for errors or omissions in these materials or the information contained herein. Skyworks may change its documentation, products, services, specifications or product descriptions at any time, without notice. Skyworks makes no commitment to update the materials or information and shall have no responsibility whatsoever for conflicts, incompatibilities, or other difficulties arising from any future changes.

No license, whether express, implied, by estoppel or otherwise, is granted to any intellectual property rights by this document. Skyworks assumes no liability for any materials, products or information provided hereunder, including the sale, distribution, reproduction or use of Skyworks products, information or materials, except as may be provided in Skyworks' Terms and Conditions of Sale.

THE MATERIALS, PRODUCTS AND INFORMATION ARE PROVIDED "AS IS" WITHOUT WARRANTY OF ANY KIND, WHETHER EXPRESS, IMPLIED, STATUTORY, OR OTHERWISE, INCLUDING FITNESS FOR A PARTICULAR PURPOSE OR USE, MERCHANTABILITY, PERFORMANCE, QUALITY OR NON-INFRINGEMENT OF ANY INTELLECTUAL PROPERTY RIGHT; ALL SUCH WARRANTIES ARE HEREBY EXPRESSLY DISCLAIMED. SKYWORKS DOES NOT WARRANT THE ACCURACY OR COMPLETENESS OF THE INFORMATION, TEXT, GRAPHICS OR OTHER ITEMS CONTAINED WITHIN THESE MATERIALS. SKYWORKS SHALL NOT BE LIABLE FOR ANY DAMAGES, INCLUDING BUT NOT LIMITED TO ANY SPECIAL, INDIRECT, INCIDENTAL, STATUTORY, OR CONSEQUENTIAL DAMAGES, INCLUDING WITHOUT LIMITATION, LOST REVENUES OR LOST PROFITS THAT MAY RESULT FROM THE USE OF THE MATERIALS OR INFORMATION, WHETHER OR NOT THE RECIPIENT OF MATERIALS HAS BEEN ADVISED OF THE POSSIBILITY OF SUCH DAMAGE.

Skyworks products are not intended for use in medical, lifesaving or life-sustaining applications, or other equipment in which the failure of the Skyworks products could lead to personal injury, death, physical or environmental damage. Skyworks customers using or selling Skyworks products for use in such applications do so at their own risk and agree to fully indemnify Skyworks for any damages resulting from such improper use or sale.

Customers are responsible for their products and applications using Skyworks products, which may deviate from published specifications as a result of design defects, errors, or operation of products outside of published parameters or design specifications. Customers should include design and operating safeguards to minimize these and other risks. Skyworks assumes no liability for applications assistance, customer product design, or damage to any equipment resulting from the use of Skyworks products outside of Skyworks' published specifications or parameters.

Skyworks, the Skyworks symbol, Sky5®, SkyOne®, SkyBlue™, Skyworks Green™, ClockBuilder®, DSPLL®, ISOmodem®, ProSLIC®, and SiPHY® are trademarks or registered trademarks of Skyworks Solutions, Inc. or its subsidiaries in the United States and other countries. Third-party brands and names are for identification purposes only and are the property of their respective owners. Additional information, including relevant terms and conditions, posted at [www.skyworksinc.com](http://www.skyworksinc.com), are incorporated by reference.



# Mouser Electronics

Authorized Distributor

Click to View Pricing, Inventory, Delivery & Lifecycle Information:

[Skyworks:](#)

[SKY13586-678LF](#)