

# Series 48 Nut Plates

For Mil Spec Circular Connectors

## Nut Plates for M26482, M83723 Series III, M26500, M38999 Series II

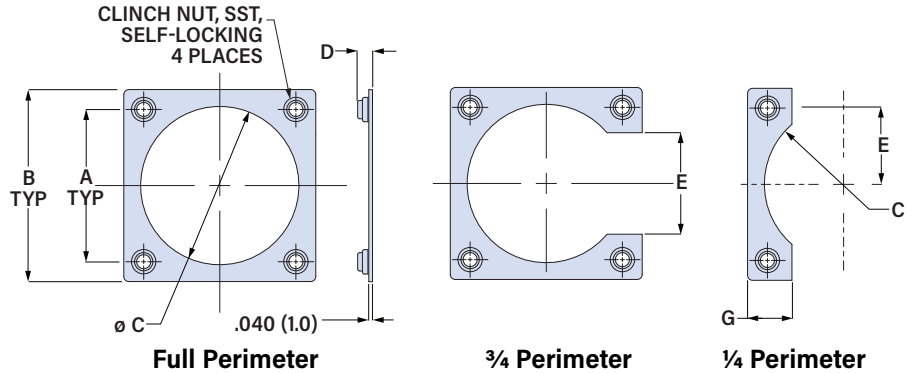


Nut Plate with Chem Film

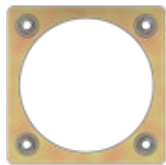


Nut Plate with Epoxy Primer

Nut plates eliminate loose lockwashers and nuts for faster installation time and prevention of dropped hardware in hard-to-reach areas. Two finishes are available: chem film (chromate conversion coating) or epoxy primer. Passivated stainless steel clinch nuts, 6061 aluminum alloy plate.

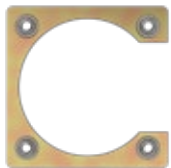


### FULL PERIMETER NUT PLATES FOR AS50151, M26482, M83723 SERIES III, M26500, M38999 SERIES II



Shell Size	Part Number		A		B Max		øC Min		D Max		Threads UNJC-3B
	Chem Film	Epoxy Primer	± .015 (0.1) in	mm	in	mm	in	mm	in	mm	
8, 8S	M85049/94-8	M85049/94-8-A	.594	15.1	.900	22.9	.555	14.1	.166	4.2	4-40
10, 10SL	M85049/94-10	M85049/94-10-A	.719	18.3	1.034	26.3	.685	17.4	.166	4.2	4-40
12, 12S	M85049/94-12	M85049/94-12-A	.812	20.6	1.119	28.4	.820	20.8	.166	4.2	4-40
14, 14S	M85049/94-14	M85049/94-14-A	.906	23.0	1.213	30.8	.945	24.0	.166	4.2	4-40
16, 16S	M85049/94-16	M85049/94-16-A	.969	24.6	1.295	32.9	1.070	27.2	.166	4.2	4-40
18	M85049/94-18	M85049/94-18-A	1.062	27.0	1.421	36.1	1.195	30.4	.166	4.2	4-40
20	M85049/94-20	M85049/94-20-A	1.156	29.4	1.550	39.4	1.320	33.5	.166	4.2	4-40
22	M85049/94-22	M85049/94-22-A	1.250	31.8	1.680	42.7	1.440	36.6	.166	4.2	4-40
24	M85049/94-24	M85049/94-24-A	1.375	34.9	1.800	45.7	1.570	39.9	.183	4.7	6-32

### 3/4 PERIMETER NUT PLATES FOR AS50151, M26482, M83723 SERIES III, M26500, M38999 SERIES II



Shell Size	Part Number		A		B Max		øC Min		D Max		E		Threads UNJC-3B
	Chem Film	Epoxy Primer	± .005 (0.1) in	mm	in	mm	in	mm	in	mm	± .030 (0.8) in	mm	
8, 8S	M85049/95-8A	M85049/95-8A-A	.594	15.1	.900	22.9	.555	14.5	.166	4.2	.308	7.8	4-40
10, 10SL	M85049/95-10A	M85049/95-10A-A	.719	18.3	1.034	26.3	.705	17.9	.166	4.2	.433	11.0	4-40
12, 12S	M85049/95-12A	M85049/95-12A-A	.812	20.6	1.119	28.4	.840	21.3	.166	4.2	.530	13.5	4-40
14, 14S	M85049/95-14A	M85049/95-14A-A	.906	23.0	1.213	30.8	.969	24.6	.166	4.2	.624	15.8	4-40
16, 16S	M85049/95-16A	M85049/95-16A-A	.969	24.6	1.295	32.9	1.079	27.4	.166	4.2	.687	17.4	4-40
18	M85049/95-18A	M85049/95-18A-A	1.062	27.0	1.421	36.1	1.205	30.6	.166	4.2	.780	19.8	4-40
20	M85049/95-20A	M85049/95-20A-A	1.156	29.4	1.550	39.4	1.330	33.8	.166	4.2	.874	22.2	4-40
22	M85049/95-22A	M85049/95-22A-A	1.250	31.8	1.680	42.7	1.463	37.2	.166	4.2	.968	24.6	4-40
24	M85049/95-24B	M85049/95-24B-A	1.375	34.9	1.800	45.7	1.580	40.1	.183	4.7	1.031	26.2	6-32
28	M85049/95-28A	M85049/95-28A-A	1.562	40.0	2.015	51.2	1.805	45.8	.183	4.7	1.125	28.6	6-32

### 1/4 PERIMETER NUT PLATES FOR AS50151, M26482, M83723 SERIES III, M26500, M38999 SERIES II



Shell Size	Part Number		A		B Max		C Min		D Max		E		Threads UNJC-3B		
	Chem Film	Epoxy Primer	± .005 (0.1) in	mm	in	mm	in	mm	in	mm	± .005 (0.1) in	mm			
8, 8S	M85049/96-8	M85049/96-8-A	.594	15.1	.906	23.0	.262	17.9	.166	4.2	.297	7.5	.306	7.8	4-40
10, 10SL	M85049/96-10	M85049/96-10-A	.719	18.3	1.034	26.3	.344	21.3	.166	4.2	.359	9.1	.308	7.8	4-40
12, 12S	M85049/96-12	M85049/96-12-A	.812	20.6	1.124	28.6	.410	24.6	.166	4.2	.406	10.3	.306	7.8	4-40
14, 14S	M85049/96-14	M85049/96-14-A	.906	23.0	1.218	30.9	.492	27.4	.166	4.2	.453	11.5	.306	7.8	4-40
16, 16S	M85049/96-16	M85049/96-16-A	.969	24.6	1.295	32.9	.532	30.6	.166	4.2	.484	12.3	.308	7.8	4-40
18	M85049/96-18	M85049/96-18-A	1.062	27.0	1.405	35.7	.610	33.8	.166	4.2	.531	13.4	.338	8.6	4-40
20	M85049/96-20	M85049/96-20-A	1.156	29.4	1.550	39.4	.657	40.1	.166	4.2	.578	14.7	.364	9.3	4-40
22	M85049/96-22	M85049/96-22-A	1.250	31.8	1.680	42.7	.724	41.7	.183	4.7	.625	15.9	.400	10.2	4-40
24	M85049/96-24	M85049/96-24-A	1.375	34.9	1.800	45.7	.782	19.9	.183	4.7	.687	17.5	.396	10.1	6-32