

Series 48 Nut Plates

For Mil Spec Circular Connectors

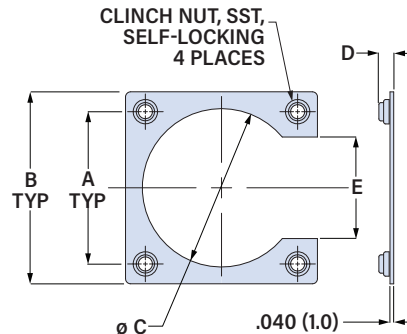
Nut Plates for MS3472, MIL-DTL-28840 and MIL-PRF-28876 Connectors

NUT PLATES FOR WIDE FLANGE MIL-DTL-26482 SERIES 2 MS3472 CONNECTORS



Nut Plate with Chem Film

Nut plates eliminate loose lockwashers and nuts for faster installation time and prevention of dropped hardware in hard-to-reach areas. Two finishes are available: chem film (chromate conversion coating) or epoxy primer. Passivated stainless steel clinch nuts, 6061 aluminum alloy plate.



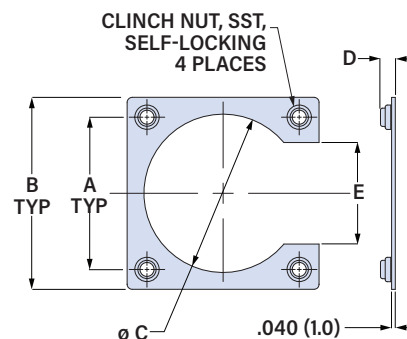
Shell Size	Part Number		A		B Max		øC Min		D Max		E		Threads UNJC-3B
	Chem Film	Epoxy Primer	±.005 (0.1) in	mm	in	mm	in	mm	in	mm	±.030 (0.8) in	mm	
10	M85049/95-10B	M85049/95-10B-A	.812	20.6	1.202	30.5	.734	18.6	.183	4.6	.433	11.0	6-32
12	M85049/95-12B	M85049/95-12B-A	.938	23.8	1.327	33.7	.923	23.4	.183	4.6	.530	13.5	6-32
14	M85049/95-14B	M85049/95-14B-A	1.031	26.2	1.421	36.1	1.016	25.8	.183	4.6	.624	15.8	6-32
16	M85049/95-16B	M85049/95-16B-A	1.125	28.6	1.515	38.5	1.110	28.2	.183	4.6	.687	17.4	6-32
18	M85049/95-18B	M85049/95-18B-A	1.203	30.6	1.593	40.5	1.219	31.0	.183	4.6	.780	19.8	6-32
20	M85049/95-20B	M85049/95-20B-A	1.297	32.9	1.703	43.3	1.344	34.1	.183	4.6	.865	22.0	6-32
22	M85049/95-22B	M85049/95-22B-A	1.375	34.9	1.753	44.5	1.468	37.3	.183	4.6	.907	23.0	6-32
24	M85049/95-24A	M85049/95-24A-A	1.500	38.1	1.906	48.4	1.545	39.2	.166	4.2	1.000	24.4	6-32

NUT PLATES FOR MIL-DTL-28840 AND MIL-PRF-28876 CONNECTORS



Nut Plate with Epoxy Primer

Nut plates eliminate loose lockwashers and nuts for faster installation time and prevention of dropped hardware in hard-to-reach areas. Three finishes are available: Type I chem film (Code E), Type II RoHS-compliant chem film (ER) or epoxy primer (EAP). Passivated stainless steel clinch nuts, 6061 aluminum alloy plate.



Shell Size	Part Number			A		B		øC		D		E		Threads UNC
	Type I Chem Film	Type II Chem Film (RoHS)	Epoxy Primer	±.003 (0.1) in	mm	in	mm	in	mm	±.030 (0.8) in	mm	in	mm	
A (11)	480-005E11B	480-005ER11B	480-005EAP11B	.750	19.1	1.043	26.5	.781	19.8	.136	3.5	.448	11.4	4-40
B (13)	480-005E13B	480-005ER13B	480-005EAP13B	.840	21.3	1.158	29.4	.906	23.0	.136	3.5	.520	13.2	4-40
C (15)	480-005E15B	480-005ER15B	480-005EAP15B	.968	24.6	1.278	32.5	1.093	27.8	.136	3.5	.627	15.9	4-40
D (17)	480-005E17B	480-005ER17B	480-005EAP17B	1.015	25.8	1.403	35.6	1.156	29.4	.136	3.5	.663	16.8	4-40
E (19)	480-005E19B	480-005ER19B	480-005EAP19B	1.140	29.0	1.528	38.8	1.343	34.1	.136	3.5	.770	19.6	4-40
F (23)	480-005E23B	480-005ER23B	480-005EAP23B	1.281	32.5	1.738	44.1	1.531	38.9	.136	3.5	.878	22.3	4-40
G (25)	480-005E25B	480-005ER25B	480-005EAP25B	1.392	35.4	1.838	46.7	1.656	42.1	.153	3.9	.950	24.1	6-32
H (29)	480-005E29B	480-005ER29B	480-005EAP29B	1.568	39.8	2.158	54.8	1.843	46.8	.153	3.9	1.057	26.8	6-32
J (33)	480-005E33B	480-005ER33B	480-005EAP33B	1.734	44.0	2.343	59.5	2.031	51.6	.168	4.3	1.165	29.6	8-32