

600-157 Composite hex-coupling wrench MIL-DTL-38999 Series III type

STAINLESS STEEL TOOL FOR USE WITH GLENAIR COMPOSITE BACKSHELLS

600

-

157

-

K

Product Series

Basic Number

Dash Number for Individual Wrench or:

K - Kit of dash numbers 08 thru 28, no case

KC - "K" kit with case

KL - Kit of dash numbers 32 thru 44, no case

KLC = "KL" kit with case

KIT = Kit of dash numbers 08 thru 44 with case

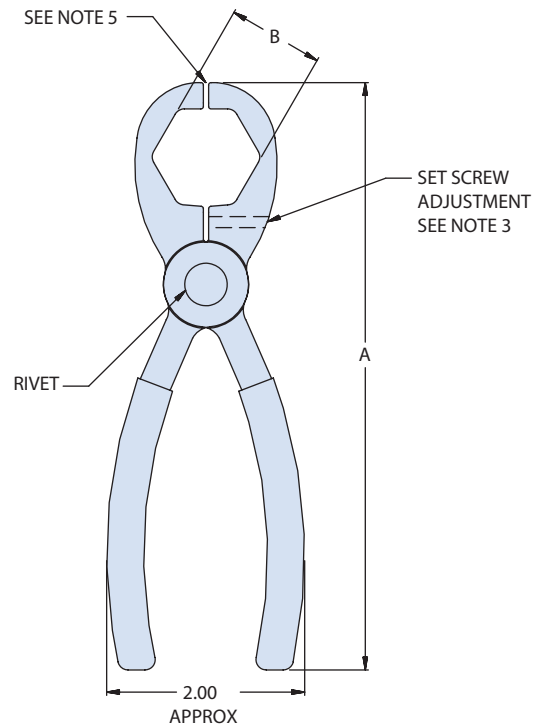
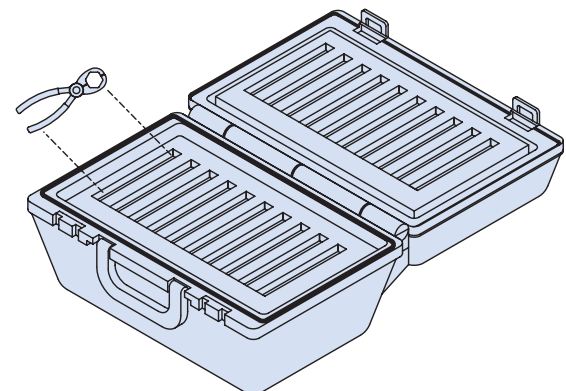


TABLE I: DASH NUMBER					
Dash No.	A Ref	B Hex ² Ref	Connector for Shell Size Codes		Composite Torque Inch Pounds In-Lbs Min/Max
			A & F	Code H	
08	6.70 (170.2)	.750 (19.1)	08	09	20/25
10	6.75 (171.5)	.875 (22.2)	10	11	20/30
12	6.81 (173.0)	1.000 (25.4)	12	13	25/35
14	6.88 (174.8)	1.125 (28.6)	14	15	25/35
16	6.95 (176.5)	1.250 (31.8)	16	17	30/40
18	7.05 (179.1)	1.375 (34.9)	18	19	30/40
20	7.15 (181.6)	1.500 (38.1)	20	21	35/45
22	7.38 (187.5)	1.625 (41.3)	22	23	35/45
24	7.44 (189.0)	1.750 (44.5)	24	25	35/45

NOTES

1. Use in conjunction with Glenair 600-161 torque wrench and 600-162B or 600-162BV bench mounts (see page 14).
2. Adjust set screw per tool setting procedure GAP134 (available on Glenair.com). Once adjusted must fit Glenair hex composite coupling nuts
3. Dash Number 08, 10, 12 only. Customer is responsible for maintaining adjustment to compensate for wear.
4. Replace tool if excessive wear is observed
5. Gap is permissible during tool use for coupling nut assembly
6. If set screw becomes loose causing loss of adjustment reapply suitable thread locking compound
7. Wrenches are made of passivated SST with vinyl grips.
8. Using other manufacturer's hex wrench pliers or soft jaw coated pliers will result in premature fracturing or damage to the composite product



KC Option
Approximate Case Dimensions: 13.5 x 15.5 x 3.875

J