

## Data Sheet

Customer:

Product: Current Sensing Chip Resistor –CS Series

Size: 0201/0402/0603/0805/1206/1210/2010/2512  
1225/3720/7520/0612

Issued Date: 15-Jul-16

Edition: REV.D3



VIKING TECH CORPORATION  
光頡科技股份有限公司  
No.70 Guangfu N. Rd., Hukou  
Township, Hsinchu County 303,  
Taiwan

TEL:886-3-5972931  
FAX:886-3-5972935•886-3-5973494  
E-mail:sales@viking.com.tw

VIKING TECH CORPORATION KAOHSIUNG BRANCH  
光頡科技股份有限公司高雄分公司  
No.248-3, Sin-Sheng Rd., Cian-Jhen Dist., Kaohsiung,  
806, Taiwan

TEL:886-7-8217999  
FAX:886-7-8228229  
E-mail:sales@viking.com.tw

WUXI TMTEC CO., LTD.  
無錫泰銘電子有限公司  
No.22 Xixia Road, Machinery & Industry Park,  
National Hi-Tech Industrial Development Zone  
of Wuxi, Wuxi, Jiangsu Province, China  
Zip Code:214028  
TEL:86-510-85203339  
FAX:86-510-85203667•86-510-85203977  
E-mail:china@viking.com.tw

Produced by (QC)	Checked (QC)	Approved by (QC)	Prepared by (Sales)	Accepted by (Customer)
15-Jul-16	15-Jul-16	15-Jul-16	15-Jul-16	
<b>Susan Huang</b>	<b>J.C. Liu</b>	<b>J.C. Liu</b>		

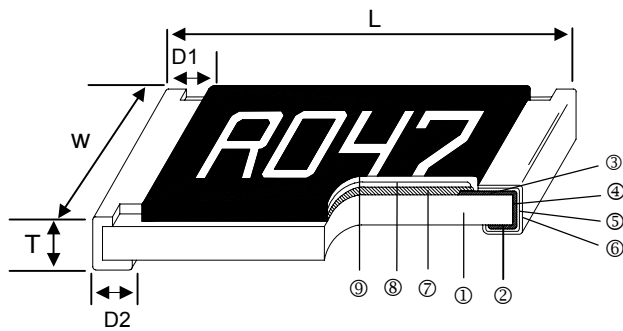
## Current Sensing Chip Resistor



### ■ Features

- 3 Watts power rating in 1 Watt size, 1225 package
- Low TCR of  $\pm 100$  PPM/ $^{\circ}$ C
- Resistance values from 1m to 1 ohm
- High purity alumina substrate for high power dissipation
- Long side terminations with higher power rating
- RoHS Compliance

### ■ Construction



### ■ Applications

- Power Management Applications
- Switching Power Supply
- Over Current Protection in Audio Applications
- Voltage Regulation Module (VRM)
- DC-DC Converter, Battery Pack, Charger, Adaptor
- Automotive Engine Control
- Disk Driver

① Alumina Substrate	④ Edge Electrode	⑦ Resistor Layer
② Bottom Electrode	⑤ Barrier Layer	⑧ Primary Overcoat
③ Top Electrode	⑥ External Electrode	⑨ Secondary Overcoat

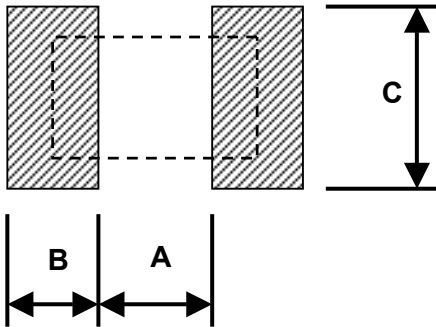
### ■ Dimensions

Type	Size (Inch)	L (mm)	W (mm)	T (mm)	D1 (mm)	D2 (mm)	Weight (g) (1000pcs)
CS01	0201	0.60 $\pm$ 0.03	0.30 $\pm$ 0.03	0.23 $\pm$ 0.05	0.12 $\pm$ 0.05	0.15 $\pm$ 0.05	0.18
CS02	0402	1.00 $\pm$ 0.05	0.50 $\pm$ 0.05	0.32 $\pm$ 0.10	0.25 $\pm$ 0.10	0.20 $\pm$ 0.10	0.7
CS03	0603	1.60 $\pm$ 0.10	0.80 $\pm$ 0.10	0.45 $\pm$ 0.10	0.30 $\pm$ 0.20	0.30 $\pm$ 0.20	1.99
CS05	0805	2.00 $\pm$ 0.10	1.25 $\pm$ 0.10	0.55 $\pm$ 0.10	0.30 $\pm$ 0.20	0.40 $\pm$ 0.25	5.3
CS06	1206	3.10 $\pm$ 0.10	1.55 $\pm$ 0.10	0.55 $\pm$ 0.10	0.50 $\pm$ 0.30	0.40 $\pm$ 0.25	8.82
CS13	1210	3.10 $\pm$ 0.10	2.60 $\pm$ 0.15	0.55 $\pm$ 0.10	0.50 $\pm$ 0.30	0.50 $\pm$ 0.25	15.5
CS10	2010	5.00 $\pm$ 0.10	2.50 $\pm$ 0.15	0.60 $\pm$ 0.15	0.60 $\pm$ 0.30	0.50 $\pm$ 0.25	27.03
CS12	2512	6.35 $\pm$ 0.10	3.10 $\pm$ 0.15	0.60 $\pm$ 0.10	0.60 $\pm$ 0.30	0.55 $\pm$ 0.25	43.08
CS12 (2W)	2512 (10 - 99m $\Omega$ )	6.35 $\pm$ 0.20	3.15 $\pm$ 0.15	0.74 $\pm$ 0.10	0.60 $\pm$ 0.30	0.55 $\pm$ 0.25	53.08
CS12 (2W)	2512 (100 - 1000m $\Omega$ )	6.35 $\pm$ 0.20	3.15 $\pm$ 0.15	0.74 $\pm$ 0.10	0.60 $\pm$ 0.30	2.10 $\pm$ 0.10	53.08
CS25	1225	3.10 $\pm$ 0.15	6.30 $\pm$ 0.15	0.90 $\pm$ 0.15	0.60 $\pm$ 0.30	0.80 $\pm$ 0.25	64.88
CS37	3720	2.00 $\pm$ 0.20	3.75 $\pm$ 0.20	0.60 $\pm$ 0.10	0.40 $\pm$ 0.20	0.40 $\pm$ 0.20	19.96
CS75	7520	2.00 $\pm$ 0.20	7.50 $\pm$ 0.30	0.60 $\pm$ 0.10	0.40 $\pm$ 0.20	0.40 $\pm$ 0.20	35.71
CS62	0612	1.55 $\pm$ 0.10	3.10 $\pm$ 0.15	0.55 $\pm$ 0.10	0.30 $\pm$ 0.15	0.45 $\pm$ 0.15	10.19

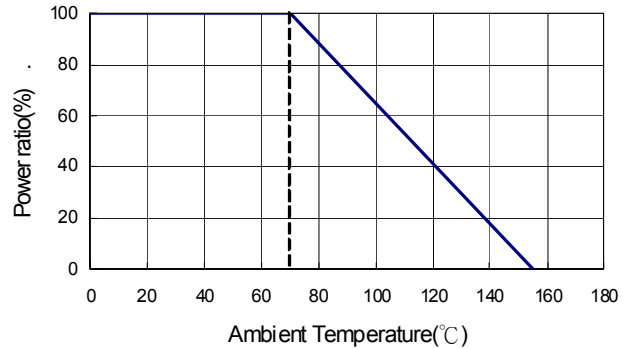
**Part Numbering**

CS	06	F	T	G	U	R100	
Product Type	Dimensions (L×W)	Resistance Tolerance	Packaging Code	TCR (PPM/°C)	Power Rating	Resistance	Marking
	01: 0201 02: 0402 03: 0603 05: 0805 06: 1206 13: 1210 10: 2010 12: 2512 25: 1225 37: 3720 75: 7520 62: 0612	F: ±1% G: ±2% J: ±5%	T: Taping Reel B: Bulk	E: ±100 F: ±200 G: ±300 H: ±400 J: ±600 K: ±150 R: ±1000	: Standard S: 2W A: 1.5W T: 1W Q: 3/4W U: 1/2W V: 1/4W P: 1/5W W: 1/8W	R010: 0.01Ω R100: 0.1Ω 1R00: 1Ω	: Standard N: No Marking W: Wide

**Recommend Land Pattern**



**Derating Curve**



Pad Layout (Except For CS12:Ultra High Power Rating Series)

Type	A (mm)	B (mm)	C (mm)
CS01	0.25	0.30	0.40±0.2
CS02	0.50	0.50	0.60±0.2
CS03	0.80	1.00	0.90±0.2
CS05	1.00	1.00	1.35±0.2
CS06	2.00	1.15	1.70±0.2
CS13	2.00	1.15	2.50±0.2
CS10	3.60	1.40	2.50±0.2
CS12	4.90	1.60	3.20±0.2
CS25	1.20	2.00	7.00±0.2
CS37	1.00	1.80	3.90±0.2
CS75	1.00	1.80	7.60±0.2
CS62	0.60	1.00	3.20±0.2

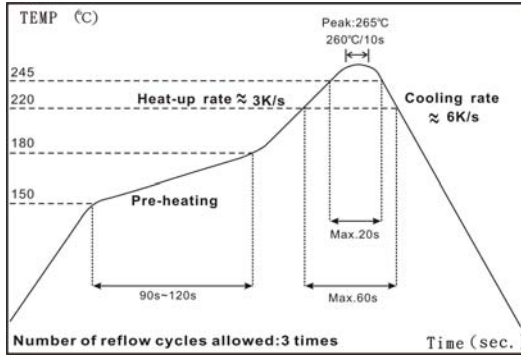
**Marking for 0603**

Type	Code
1R0	1.000Ω
R10	0.100Ω
R01	0.010Ω
<u>102</u>	0.102Ω
<u>024</u>	0.024Ω

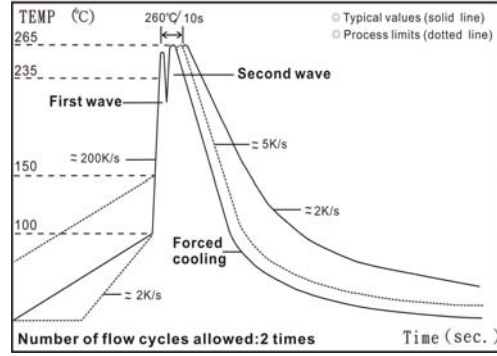
Pad Layout ( For CS12: Ultra High Power Rating Series)

Type	Resistance Range	A (mm)	B (mm)	C (mm)
CS12	10~99 mΩ	4.9	1.6	3.2±0.2
CS12	100~1000mΩ	1.0	3.55	3.2±0.2

■ Soldering Condition



IR Reflow Soldering



Wave Soldering (Flow Soldering)

- (1) Time of IR reflow soldering at maximum temperature point 260°C : 10s
- (2) Time of wave soldering at maximum temperature point 260°C : 10s
- (3) Time of soldering iron at maximum temperature point 410°C : 5s

■ Standard Electrical Specifications

Type \ Item	Power Rating at 70°C	Operating Temp. Range	Max. Operating Current	Resistance Range (mΩ)			TCR (PPM/°C)
				±1%	±2%	±5%	
CS01 (0201)	1/20W	-55 ~ +155°C	0.70A	100 - 147 150 - 500 510 - 1000			±1000 ±600 ±300
CS02 (0402)	1/16W		1.11A	50 - 100 102 - 500 510 - 1000			±400 ±300 ±200
CS03 (0603)	1/10W		2.23A	20 - 50 51 - 100 102 - 500 510 - 1000			±600 ±400 ±300 ±200
CS05 (0805)	1/8W		2.50A	20 - 50 51 - 100 102 - 196 200 - 1000			±600 ±400 ±300 ±200
CS06 (1206)	1/4W		5.00A	10 - 20			±600
CS13 (1210)	1/2W		7.07A	21 - 50			±400
CS10 (2010)	3/4W		8.66A	51 - 91			±300
CS12 (2512)	1W		10.0A	100 - 1000			±200
CS25 (1225)	3W		31.6A	3 - 5 6 - 20 21 - 30 33 - 8000			±300 ±200 ±150 ±100
CS37 (3720)	1W		10.0A	10 - 18 20 - 500			±300 ±150
CS75 (7520)	2W		44.7A	—	1 - 4		±300
				5 - 10 11 - 350			±200 ±150
CS62 (0612)	1W		10.0A	10 - 27			±600
		30 - 91			±300		
		100 - 499 500 - 1000			±200 ±100		

**High Power & Ultra High Power Rating Electrical Specifications**

Type \ Item	Power Rating at 70°C	Operating Temp. Range	Max. Operating Current	Resistance Range (mΩ)			TCR (PPM/°C)
				±1%	±2%	±5%	
CS02 (0402)	1/8W	-55 ~ +155°C	1.56A	51 - 100 102 - 500 510 - 1000			±400 ±300 ±200
CS03 (0603)	1/8W 1/5W		1.98A				
CS05 (0805)	1/4W		2.21A				
CS06 (1206)	1/2W		7.07A	10 - 20 21 - 50 51 - 91 100 - 1000			±600 ±400 ±300 ±200
CS13 (1210)	3/4W		8.66A				
CS10 (2010)	1W		10.0A				
CS12 (2512)	1.5W		12.2A				
CS12 (2512)	*2W		14.1A				

\*: Ultra High Power

**Low TCR Electrical Specifications**

Type \ Item	Power Rating at 70°C	Operating Temp. Range	Max. Operating Current	Resistance Range (mΩ)			TCR (PPM/°C)
				±1%	±2%	±5%	
CS05 (0805)	1/8W	-55 ~ +155°C	1.11A	100 - 1000			±100
CS06 (1206)	1/4W		1.58A	100 - 1000			±100
CS13 (1210)	1/2W		2.58A	75 - 1000			±100
CS10 (2010)	3/4W		3.87A	50 - 1000			±100
CS12 (2512)	1W		7.07A	20 - 1000			±100
CS12 (2512)	*2W		6.32A	50 - 1000			±100
CS37 (3720)	1W		3.16A	100 - 500			±100
CS75 (7520)	2W		6.32A	50 - 350			±100

Operating Current= $\sqrt{P/R}$

■ Viking is capable of manufacturing the optional spec based on customer's requirement.

**Environmental Characteristics**

Item	Requirement	Test Method
Temperature Coefficient of Resistance (T.C.R.)	As Spec.	<b>JIS-C-5201-1 4.8</b> <b>IEC-60115-1 4.8</b> -55°C~+125°C, 25°C is the reference temperature
Short Time Overload	±(0.5%+0.05Ω)	<b>JIS C 5201-1 4.13</b> <b>IEC 60115-1 4.13</b> RCWV*2.5 or Max. Overload Voltage whichever is lower for 5 seconds
	±(1.0%+0.05Ω) For High power rating	
Insulation Resistance	≥ 10G	<b>JIS-C-5201-1 4.6</b> <b>IEC-60115-1 4.6</b> Max. Overload Voltage for 1 minute
Endurance	±(1.0%+0.05Ω)	<b>JIS-C-5201-1 4.25</b> <b>IEC-60115-1 4.25.1</b> 70±2°C, RCWV for 1000 hrs with 1.5 hrs "ON" and 0.5 hr "OFF"
Damp Heat with Load	±(0.5%+0.05Ω)	<b>JIS-C-5201-1 4.24</b> <b>IEC-60115-1 4.24</b> 40±2°C, 90~95% R.H., RCWV for 1000 hrs with 1.5 hrs "ON" and 0.5 hr "OFF"
Dry Heat	±(0.5%+0.05Ω)	<b>JIS-C-5201-1 4.23</b> <b>IEC-60115-1 4.23.2</b> at +155°C for 1000 hrs
Bending Strength	±(1.0%+0.05Ω)	<b>JIS-C-5201-1 4.33</b> <b>IEC-60115-1 4.33</b> Bending once for 5 seconds with 3mm 2010, 2512 sizes: 2mm
Solderability	95% min. coverage	<b>JIS-C-5201-1 4.17</b> <b>IEC-60115-1 4.17</b> 245±5°C for 3 seconds
Resistance to Soldering Heat	±(0.5%+0.05Ω)	<b>JIS-C-5201-1 4.18</b> <b>IEC-60115-1 4.18</b> 260±5°C for 10 seconds
Voltage Proof	No breakdown or flashover	<b>JIS-C-5201-1 4.7</b> <b>IEC-60115-1 4.7</b> 1.42 times Max. Operating Voltage for 1 minute
Leaching	Individual leaching area ≤ 5% Total leaching area ≤ 10%	<b>JIS-C-5201-1 4.18</b> <b>IEC-60068-2-58 8.2.1</b> 260±5°C for 30 seconds
Rapid Change of Temperature	±(0.5%+0.05Ω)	<b>JIS-C-5201-1 4.19</b> <b>IEC-60115-1 4.19</b> -55°C to +155°C, 5 cycles

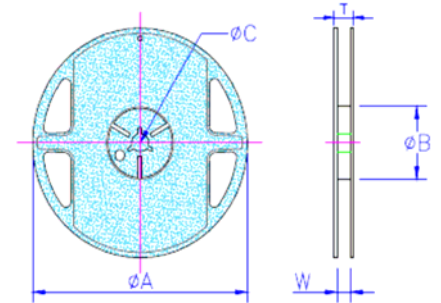
RCWV(Rated Continuous Working Voltage)=√(P\*R) or Max. Operating Voltage whichever is lower.

**Storage Temperature: 15~28°C; Humidity < 80%RH**

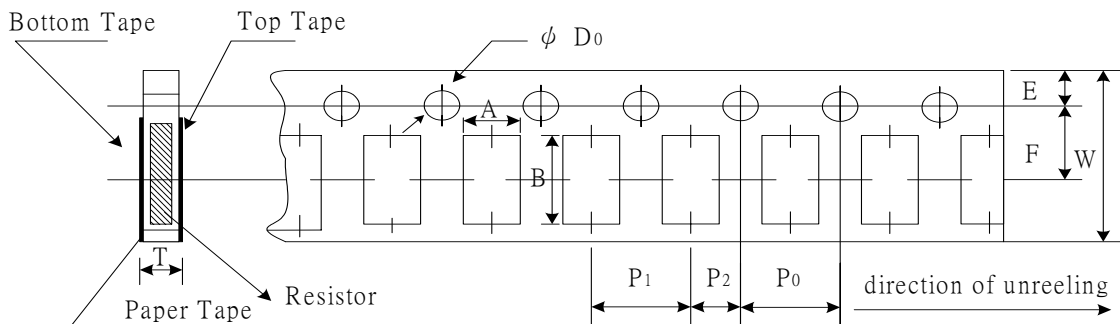
**■ Packaging**

Packaging Quantity & Reel Specifications

Type	ΦA (mm)	ΦB (mm)	ΦC (mm)	W (mm)	T (mm)	Paper Tape (EA)	Embossed Plastic Tape (EA)
CS01	178.0±1.0	60.0±1.0	13.5±0.7	9.5±0.1	11.5±1.0	10,000	
CS02	178.0±1.0	60.0±1.0	13.5±0.7	9.5±0.1	11.5±1.0	10,000	-
CS03	178.0±1.0	60.0±1.0	13.5±0.7	9.5±0.1	11.5±1.0	5,000	-
CS05	178.0±1.0	60.0±1.0	13.5±0.7	9.5±0.1	11.5±1.0	5,000	-
CS06	178.0±1.0	60.0±1.0	13.5±0.7	9.5±0.1	11.5±1.0	5,000	-
CS13	178.0±1.0	60.0±1.0	13.5±0.7	9.5±0.1	11.5±1.0	5,000	
CS10	178.0±1.0	60.0±1.0	13.5±0.7	13.5±1.0	15.5±1.0	-	4,000
CS12	178.0±1.0	60.0±1.0	13.5±0.7	13.5±1.0	15.5±1.0	-	4,000
CS12 (2W)	178.0±1.0	60.0±1.0	13.5±0.7	13.5±1.0	15.5±1.0	-	2,000
CS25	178.0±1.0	60.0±1.0	13.5±0.7	13.5±1.0	15.5±1.0	-	2,000
CS37	178.0±1.0	60.0±1.0	13.5±0.7	13.5±1.0	15.5±1.0	-	2,000
CS75	178.0±1.0	60.0±1.0	13.5±0.7	17.5±1.0	19.5±1.0	-	2,000
CS62	178.0±1.0	60.0±1.0	13.5±0.7	9.5±0.1	11.5±1.0	5,000	-

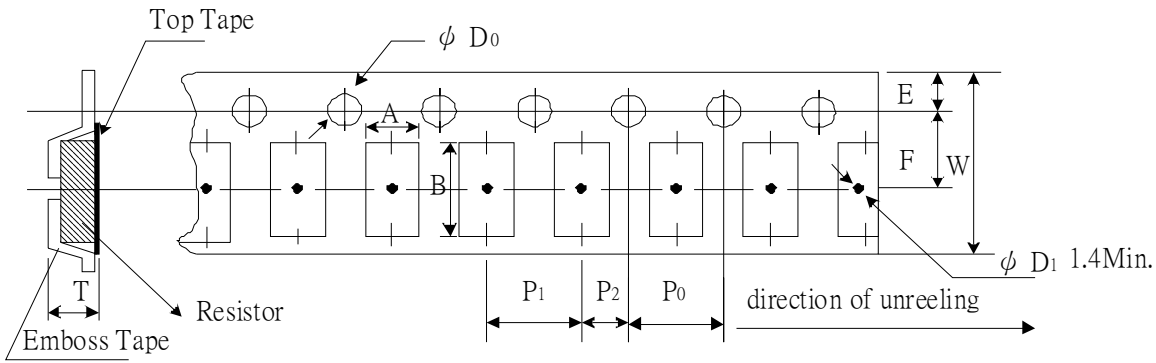


Paper Tape Specifications



Type	A (mm)	B (mm)	W (mm)	E (mm)	F (mm)	P0 (mm)	P1 (mm)	P2 (mm)	ΦD <sub>0</sub> (mm)	T (mm)
CS01	0.38±0.05	0.68±0.05	8.0±0.20	1.75±0.10	3.50±0.05	4.00±0.10	2.00±0.05	2.00±0.05	1.50+0.1,-0	0.42±0.20
CS02	0.65±0.10	1.15±0.10	8.0±0.20	1.75±0.10	3.50±0.05	4.00±0.10	2.00±0.05	2.00±0.05	1.50+0.1,-0	0.45±0.10
CS03	1.10±0.10	1.90±0.10	8.0±0.20	1.75±0.10	3.50±0.05	4.00±0.10	4.00±0.05	2.00±0.05	1.50+0.1,-0	0.70±0.10
CS05	1.60±0.10	2.40±0.20	8.0±0.20	1.75±0.10	3.50±0.05	4.00±0.10	4.00±0.05	2.00±0.05	1.50+0.1,-0	0.85±0.10
CS06	1.90±0.10	3.50±0.20	8.0±0.20	1.75±0.10	3.50±0.05	4.00±0.10	4.00±0.05	2.00±0.05	1.50+0.1,-0	0.85±0.10
CS13	2.90±0.10	3.50±0.20	8.0±0.20	1.75±0.10	3.50±0.05	4.00±0.10	4.00±0.05	2.00±0.05	1.50+0.1,-0	0.85±0.10
CS62	1.90±0.10	3.50±0.20	8.0±0.20	1.75±0.10	3.50±0.05	4.00±0.10	4.00±0.05	2.00±0.05	1.50+0.1,-0	0.85±0.10

Emboss Plastic Tape Specifications



Type	A (mm)	B (mm)	W (mm)	E (mm)	F (mm)	P <sub>0</sub> (mm)	P <sub>1</sub> (mm)	P <sub>2</sub> (mm)	ΦD <sub>0</sub> (mm)	T (mm)
CS10	2.80±0.10	5.50±0.10	12.0±0.30	1.75±0.10	5.5±0.05	4.00±0.05	4.00±0.10	2.00±0.05	1.50+0.10	1.00±0.20
CS12	3.50±0.10	6.70±0.10	12.0±0.30	1.75±0.10	5.5±0.05	4.00±0.05	4.00±0.10	2.00±0.05	1.50+0.10	1.00±0.20
CS12 (2W)	3.38±0.10	6.68±0.10	12.0±0.30	1.75±0.10	5.5±0.10	4.00±0.10	4.00±0.10	2.00±0.05	1.55+0.05	1.45±0.20
CS25	3.38±0.10	6.68±0.10	12.0±0.30	1.75±0.10	5.5±0.10	4.00±0.10	4.00±0.10	2.00±0.05	1.55+0.05	1.45±0.20
CS37	2.50±0.20	4.45±0.20	12.0±0.30	1.75±0.10	5.5±0.05	4.00 ±0.05	4.00±0.10	2.00±0.05	1.50+0.10	1.20 ±0.20
CS75	2.50±0.20	8.30±0.20	16.0±0.30	1.75±0.10	7.8±0.05	4.00±0.05	4.00±0.10	2.00±0.05	1.50+0.10	1.20 ±0.20



**REVISION HISTORY**

REVISION	DATE	CHANGE NOTIFICATION	DESCRIPTION
Version D1	Jun 03, 2014	-	<ul style="list-style-type: none"><li>- Electrical Specifications updated</li><li>- CS25 Pad Layout updated</li><li>- Environmental Characteristics updated</li></ul>
Version D2	Apr 30, 2015	-	<ul style="list-style-type: none"><li>- Increase Product Size 0612</li></ul>
Version D3	Jul 15, 2016	-	<ul style="list-style-type: none"><li>- Remove Material Description</li><li>- Modify Storage Temperature</li><li>- CS12 Pad Layout updated</li><li>- CS62 Resistance Range updated</li></ul>