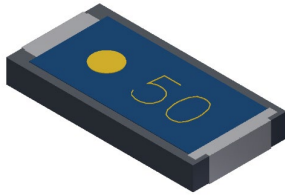


Surface Mount RF Termination
10 Watts, 50Ω



Features:

- RoHS Compliant
- 10 Watts
- DC – 3.0 GHz
- Al₂O₃ Ceramic
- Non-Nichrome Resistive Element
- Low VSWR
- 100% Tested

Description:

The C10A50Z4 is high performance RoHS compliant Alumina (Al₂O₃) surface mount termination intended as a lower cost alternative to Aluminum Nitride (AlN) and Beryllium Oxide (BeO). The termination is well suited to all cellular frequency bands such as; AMPS, GSM, DCS, PCS, PHS and UMTS. The high power handling makes the part ideal for terminating 90 degree hybrid directional couplers, and for use in isolators.

General Specifications:

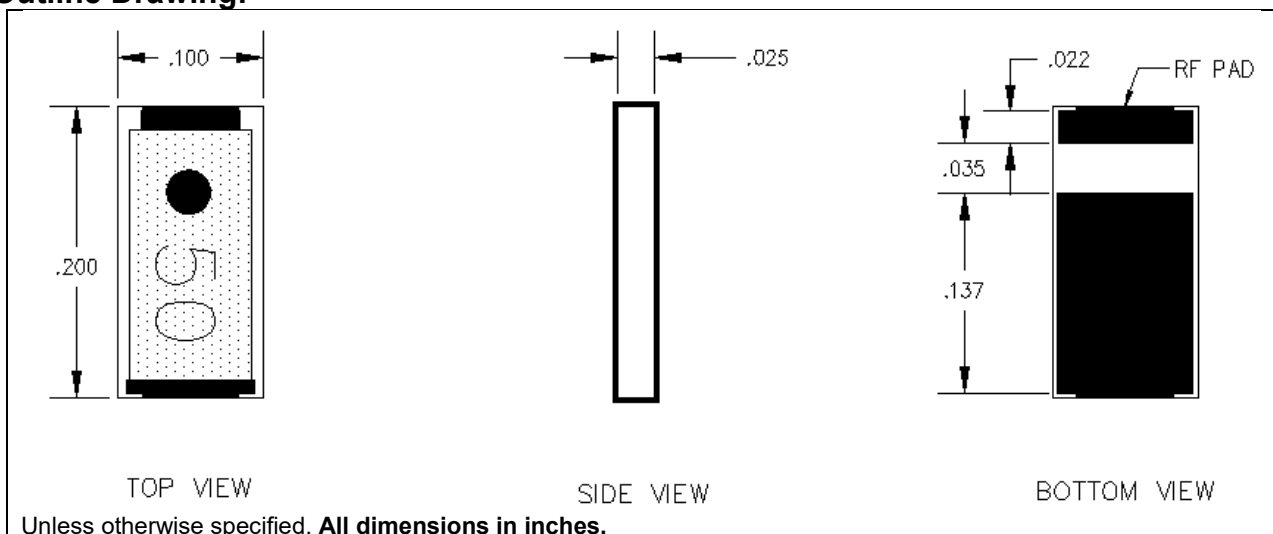
Resistive Element	Thick film
Substrate	Al ₂ O ₃ Ceramic
Terminal Finish	Matte Tin over Nickel Barrier
Operating Temperature	-55 to +125°C (see de-rating chart)

Electrical Specifications:

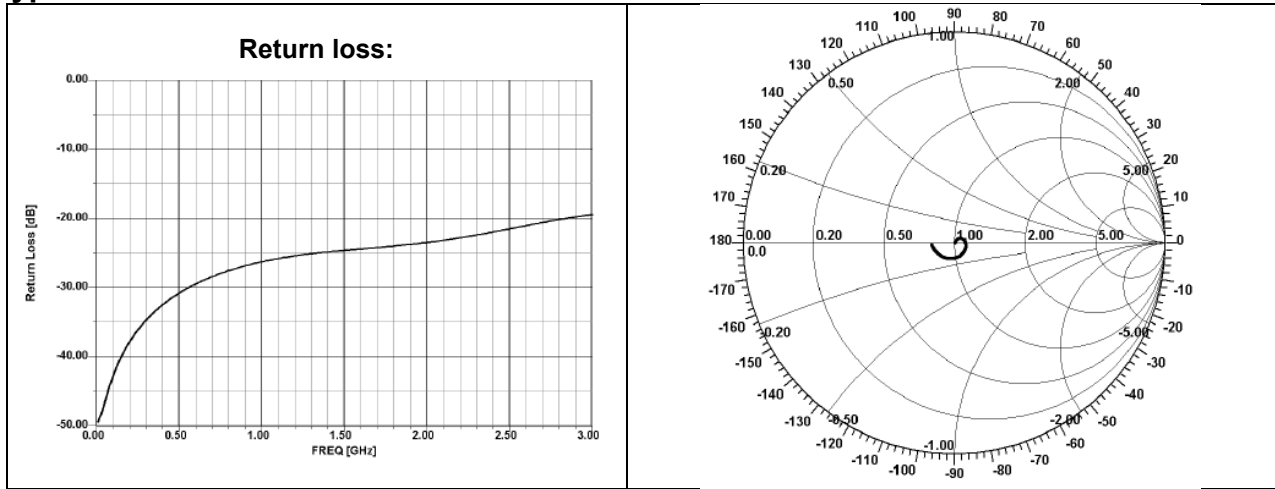
Resistance Value:	50 Ohms, ± 2%
Power:	10 Watts
Frequency Range:	DC – 3.0 GHz
V.S.W.R.:	< 1.25:1

Specification based on unit properly installed using suggested mounting instructions and a 50 ohm nominal impedance. **Specifications subject to change.**

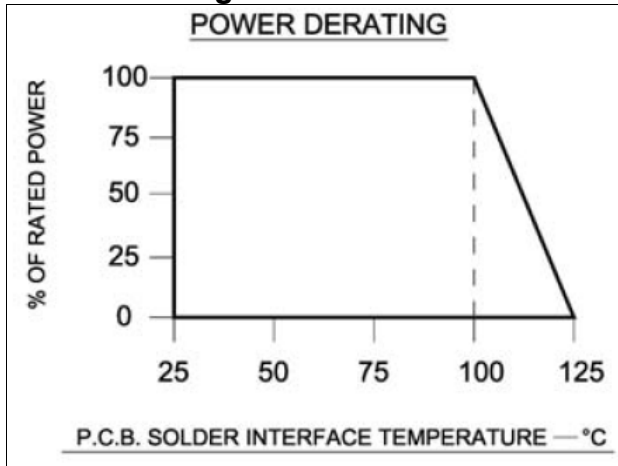
Outline Drawing:



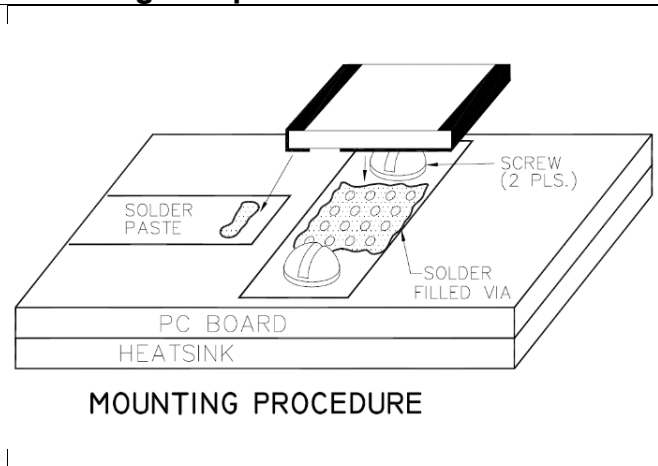
Typical Performance:



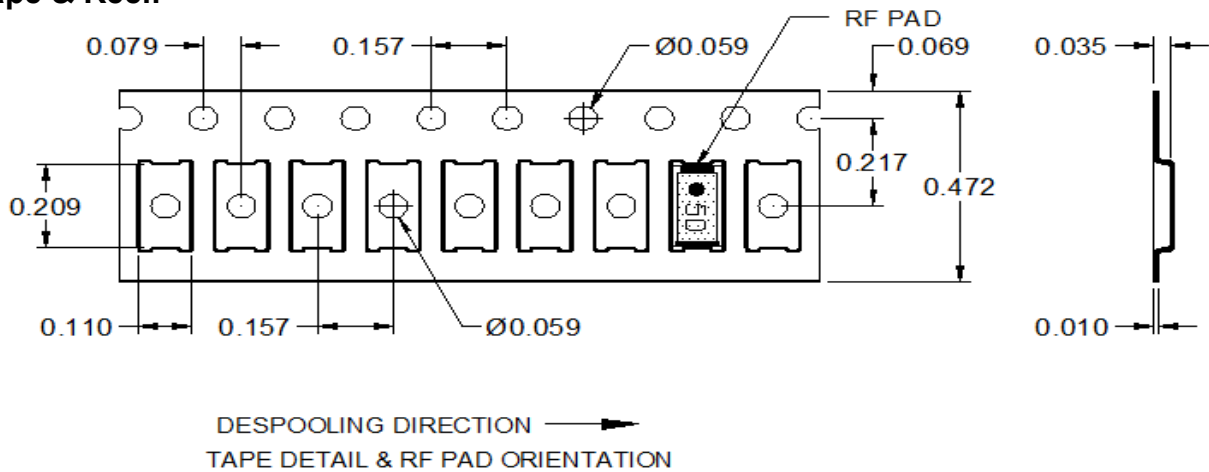
Power de-rating:



Mounting Footprint:



Tape & Reel:



Contact us:
rf&s_support@ttm.com

Mouser Electronics

Authorized Distributor

Click to View Pricing, Inventory, Delivery & Lifecycle Information:

[Anaren:](#)

[C10A50Z4](#)