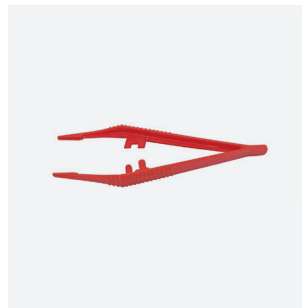
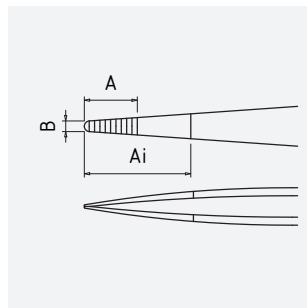


Plastic tweezers 130 mm, tips with internal teething

Art.-No.	05-0030
Description	Plastic tweezers 130 mm, tips with internal teething
Application	Universal, precision mechanics, electricians, jewelers, watchmakers
Specification	finely serrated tips, Opening position approx. 20 mm
Material	plastic
Surface/Coating	/
Features	insulated
Surface resistance	over 10^{12} Ohm
Shape	NG: Normal tips straight
Icon No.	NG5

Dimensions and weight

A = 14 mm
B = 3 mm
Ai = /



length 130 mm
weight 6 g

Application and technical data

PP GF30 (30% glass fibre reinforced polypropylene). Suitable for autoclave cleaning (134°C, 2.1 bar, 20 minutes), ethylene oxide (EO) and gamma sterilisation.

Internally toothed tip, particularly wide clamping range. Depending on the application, a technically interesting alternative to classic metal tweezers, extraordinary strength with great weight savings. High temperature resistance and excellent chemical resistance characterize these plastic tweezers.