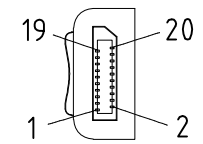
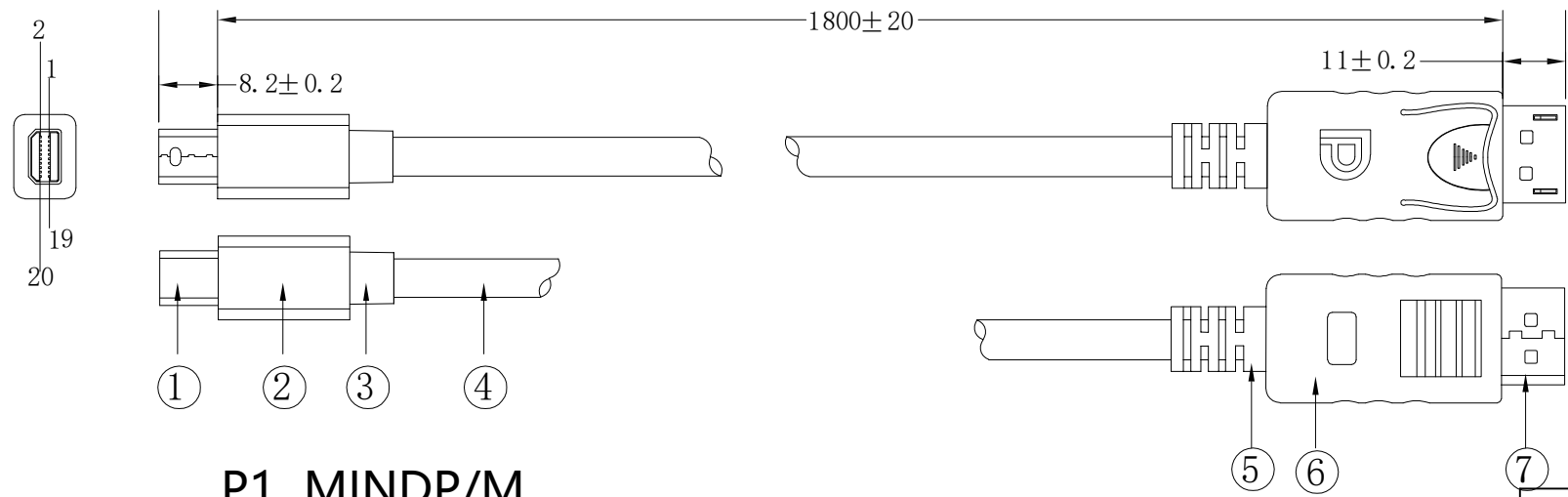


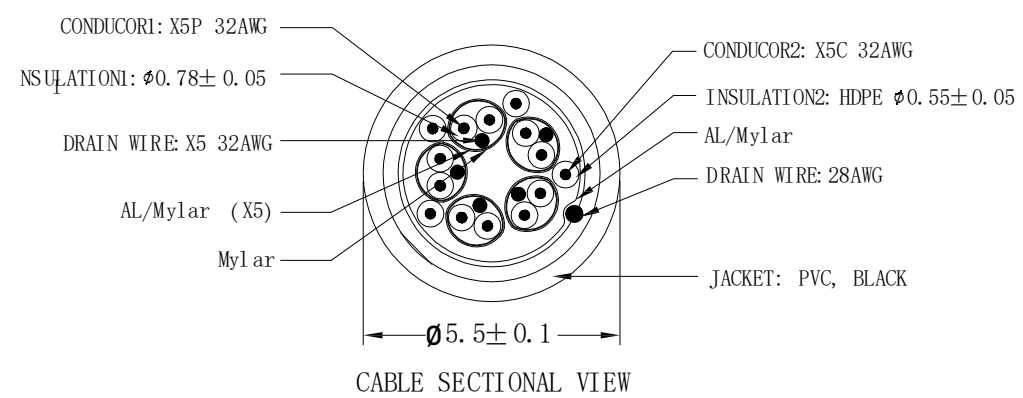
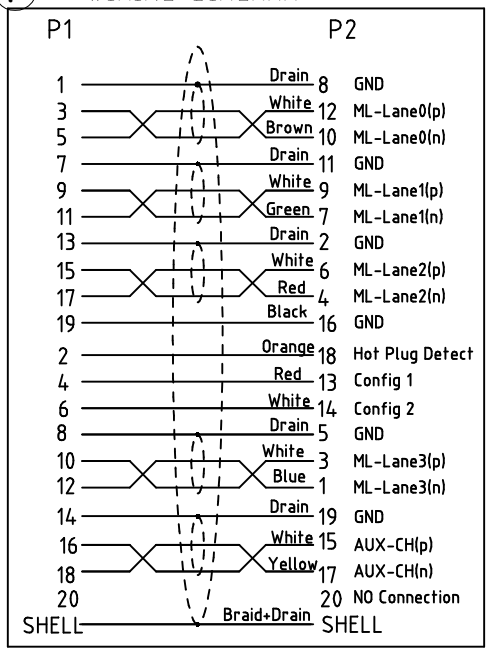
REV	DESCRIPTION	Date
A/0	First release	2022.11.15



**P1 MINDP/M**

**P2 DP/M**

**WIRING DIAGRAM**



**Test Conditions:**  
 1.100% OPEN & SHORT CIRCUIT TEST;  
 2.CONDUCTIVE RESISTANCE:TABLE A/MAX  
 3.INSULATION RESISTANCE:10MΩ/MIN.AT DC300V/10MS

7	CONNECTOR 2	1	/	DP Gold PLATED
6	HOUSING 2	1	/	ABS, WHITE, DP
5	SR2	1	/	PVC WHITE
4	CABLE	1	/	32AWG WHITE, OD:5.5mm, 1.8m
3	SR1	1	/	PVC WHITE
2	HOUSING 1	1	/	ABS, BLACK, MIN DP
1	CONNECTOR 1	1	/	MINI DP Gold PLATED
NO.	DESCRIPTI ON	QTY	PART NO.	MATEIAL

**VCOM** VCOM INTERNATIONAL LTD.

TITLE	Mini Display Port male to Display Port male cable 4k@60Hz,2.5m	ANGLE	±°	UNIT	mm	PAGE:1of1
PART NO.		CUSTOMER NO.		SCALE		
PRODUCT NO.	CG681	REV.	A/0	DATE	2022.11.15	
APPROVED BY:XGS		CHECKED BY:		DRAWN BY: CHEN		