

# AI 35 -18 RD - Ferrule



3201495

<https://www.phoenixcontact.com/us/products/3201495>

Please be informed that the data shown in this PDF document is generated from our online catalog. Please find the complete data in the user documentation. Our general terms of use for downloads are valid.

Ferrule, sleeve length: 18 mm, color: red



## Your advantages

- The AI 0,25.. ferrules can also be used to process 0.14 mm<sup>2</sup> conductors
- The insulation reliability of close connections is increased and the splicing of wires is prevented

## Commercial data

Item number	3201495
Packing unit	50 pc
Minimum order quantity	50 pc
Sales key	BH34
Product key	BH3411
Catalog page	Page 481 (C-3-2019)
GTIN	4017918094997
Weight per piece (including packing)	1.547 g
Weight per piece (excluding packing)	1.547 g
Customs tariff number	85369010
Country of origin	DE

# AI 35 -18 RD - Ferrule



3201495

<https://www.phoenixcontact.com/us/products/3201495>

## Technical data

### Product properties

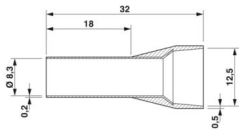
Product type	Cable end sleeve
Conductor category	stranded conductors, class 2, 5, 6 / B, C, K, M

### Connection data

#### Conductor connection

Conductor cross section flexible max.	35 mm <sup>2</sup>
Conductor cross section AWG max.	2
Stripping length	22 mm

### Dimensions

Dimensional drawing	
Sleeve length	18 mm
Maximum stripping length	22 mm
Ferrule diameter	8.3 mm
Sleeve wall thickness	0.2 mm
Insulating collar thickness	0.5 mm
Inner dimensions of the insulating collar	12.5 mm

### Material specifications

Color	red
Material	CU-DHP
Flammability rating according to UL 94	HB
Coating	tin-plated (galvanic)
Components	free from silicone and halogen

### Mechanical properties

#### Technical data

Sleeve length	18 mm
---------------	-------

### Environmental and real-life conditions

#### Ambient conditions

Permanent temperature	105 °C (-40 °C no load / 0 °C dynamic load)
Short-term temperature	120 °C

### Standards and regulations

# AI 35 -18 RD - Ferrule

3201495

<https://www.phoenixcontact.com/us/products/3201495>



Design according to standard

DIN 46228-4, UL 486F-E

# AI 35 -18 RD - Ferrule

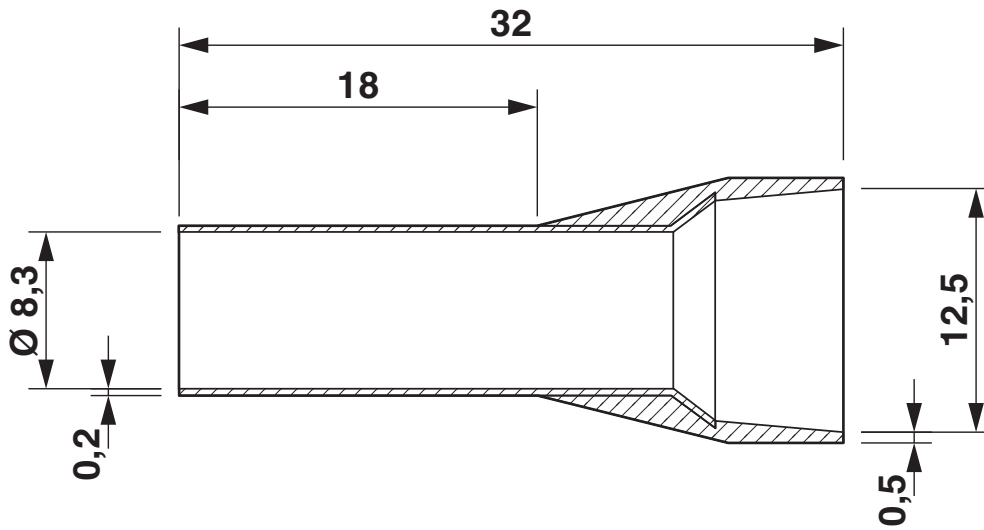
3201495

<https://www.phoenixcontact.com/us/products/3201495>



## Drawings

Dimensional drawing



# AI 35 -18 RD - Ferrule



3201495

<https://www.phoenixcontact.com/us/products/3201495>

## Approvals

To download certificates, visit the product detail page: <https://www.phoenixcontact.com/us/products/3201495>



**UL Listed**

Approval ID: E488001



**cUL Listed**

Approval ID: E488001



**cULus Listed**

Approval ID: E488001

**cULus Listed**

# AI 35 -18 RD - Ferrule



3201495

<https://www.phoenixcontact.com/us/products/3201495>

## Classifications

### ECLASS

ECLASS-11.0	27400201
ECLASS-13.0	27400201
ECLASS-12.0	27400201

### ETIM

ETIM 9.0	EC000005
----------	----------

### UNSPSC

UNSPSC 21.0	27121700
-------------	----------

# AI 35 -18 RD - Ferrule

3201495

<https://www.phoenixcontact.com/us/products/3201495>



## Environmental product compliance

China RoHS	Environmentally friendly use period: unlimited = EFUP-e
	No hazardous substances above threshold values

# AI 35 -18 RD - Ferrule

3201495

<https://www.phoenixcontact.com/us/products/3201495>



## Accessories

### CRIMPFOX 50R - Crimping pliers

1212041

<https://www.phoenixcontact.com/us/products/1212041>



Crimping pliers, for ferrules without insulating collar according to DIN 46228 Part 1 and ferrules with insulating collar according to DIN 46228 Part 4, 35 mm<sup>2</sup> ... 50 mm<sup>2</sup>, lateral entry, WM crimp

---

Phoenix Contact 2024 © - all rights reserved  
<https://www.phoenixcontact.com>

Phoenix Contact USA  
586 Fulling Mill Road  
Middletown, PA 17057, United States  
(+717) 944-1300  
[info@phoenixcon.com](mailto:info@phoenixcon.com)