

100Base Multi-Mode SC Fiber-to-PCI Adapter TE100-PCIFC (V1.0R)

The 100Base Multi-Mode SC Fiber-to-PCI Adapter (model TE100-PCIFC) provides a reliable high performance connection from a PC or server to a Multi-Mode SC-type fiber connector for distances of up to 2 kilometers (1.2 miles). Full-duplex mode supports data transfer speeds of up to 200Mbps. Supports IEEE 802.3x Flow Control and 802.1Q VLAN. Optimize power consumption with advanced Configuration Power Management Interface (ACPI 1.0) technology.

FEATURES

- 1 x 100Base-FX SC-type Multi-Mode fiber port
- PCI 2.2 specification compliant
- Incorporates Advanced Configuration Power Management Interface (ACPI 1.0)
- Supports PC99, PC2001 and Net PC hardware system designer guide.
- Separates 2Kbyte FIFO for receiver and transmitter controllers
- Supports 802.3x Full-Duplex flow control and multiple pause frame
- Supports IEEE 802.1Q VLAN tagging
- Intuitive diagnostic utility for windows 98SE/ME/2000/2003 Server *
- 3-Year Limited Warranty

* Vista is currently not supported

Model Name	Wave length	Media	Optical Output Power (dBm)		Optical Input Power (dBm)		Power Budget
			Min	Max	Sensitivity	Max	
TE100-PCIFC	1310nm	MMF	-19	-14	-32	-14	13dBm

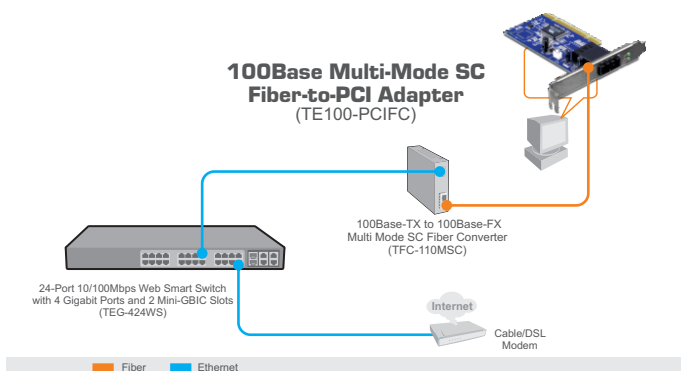
100Base Multi-Mode SC Fiber-to-PCI Adapter

TE100-PCIFC (V1.0R)

SPECIFICATIONS

Hardware	
Standard	• IEEE 802.3u 100Base-FX • IEEE 802.3x, IEEE 802.1Q
Network Media	• 100Base-FX: 62/125µm Multi-Mode fiber optic cable, for distances up to 2km • Wavelength: 1310nm
Interface	• PCI / Multi-Mode SC-type port
Power Consumption	• 1 watt (max)
Diagnostic LED	• LNK(link)/ACT(activity), 100(100Mbps)
Supported OS	• Windows 98(SE)/ME/2000/XP(32/64-bit)/Vista(32/64-bit) • Novell Netware 3.11, 3.12, 4.x, 5.x, 6.0, Client 32 • Linux Kernel 2.2.x/2.4.x/2.6.x • FreeBSD 3.2, 4.0, 4.11, 4.2, 5.x • SCO UnixWare 7.x/OpenUnix 8, SCO UNIX 5.0
Data Rate	• 200Mbps (Full-Duplex)
Dimension	• 122 x 117mm (4.8 x 4.6in)
Weight	• 80g (2.88oz)
Temperature	• Operating: 0°C ~ 45°C (32°F ~ 113°F) • Storage: -10°C ~ 70°C (14°F ~ 158°F)
Humidity	• 5%~95% (non-condensing)
Certifications	• CE, FCC

NETWORKING SOLUTIONS



PACKAGE CONTENTS

- TE100-PCIFC
- Multi-Language Quick Installation Guide
- CD-ROM (Driver & User's Guide)

RELATED PRODUCTS

TFC-110MSC	100Base-TX to 100Base-FX Multi Mode SC Fiber Converter
TEG-S081FMi	8-Port 100base-FX Layer 2 Managed Fiber Switch w/ Mini-GBIC Port
TEG-424WS	24-Port 10/100Mbps Web Smart Switch with 4 Gigabit Ports and 2 Mini-GBIC Slots

ORDERING INFORMATION

TRENDnet[®]

20675 Manhattan Place, Torrance, CA 90501 USA

Tel: 1-310-961-5500

Fax: 1-310-961-5511

Web: www.trendnet.com

Email: sales@trendnet.com

To Order Please Call:

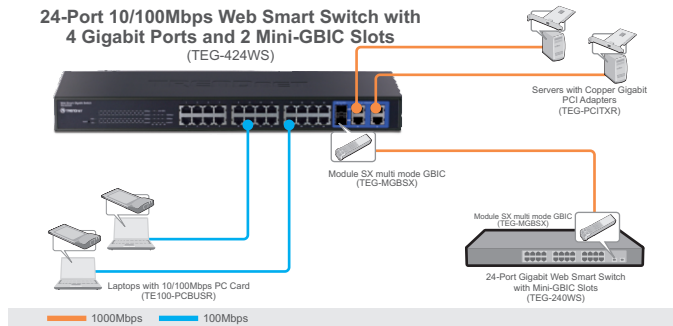
1-888-326-6061



24-Port 10/100Mbps Web Smart Switch with 4 Gigabit Ports and 2 Mini-GBIC Slots

TEG-424WS [V1.0R]

NETWORKING SOLUTIONS



PACKAGE CONTENTS

- TEG-424WS
- Multi-Language Quick Installation Guide
- CD-ROM (Utility & User's Guide)
- Power Cord
- Rackmount Kit

RELATED PRODUCTS

TEG-PCBUSR	Gigabit PC Card
TEG-PCITXR	Gigabit PCI Adapter
TEG-MGBSX	Mini-GBIC Multi-Mode SX Module

ORDERING INFORMATION

TRENDnet

20675 Manhattan Place, Torrance, CA 90501 USA

Tel: 1-310-961-5500

Fax: 1-310-961-5511

Web: www.trendnet.com

Email: sales@trendnet.com

To Order Please Call:

1-888-326-6061

