

DIN Speaker Jack



Features

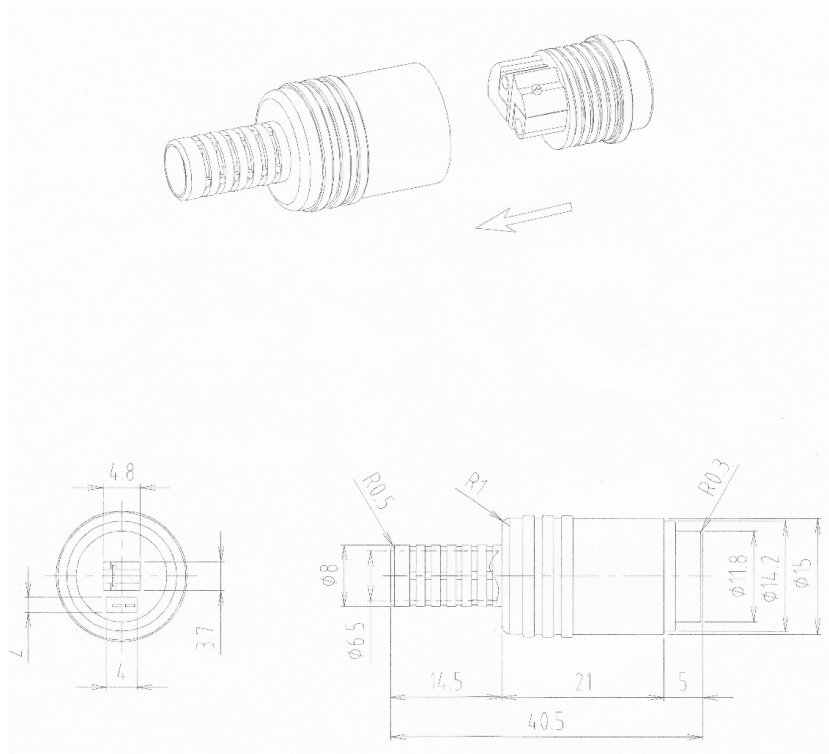
- Screw type
- Anti-kink protection
- Nickel plated contacts



Specification

Connector Type	Coupling
Termination Type	Screw
Colour	Black
Contact Material	Nickel Plated
Number of Poles	2
Max. Cross-section	1.5 mm ²
Gender	Socket
Orientation	Straight

Drawing



Art. Nr.
RND 205-01499