

FLASHING WARNING LIGHTS 5 J

WBL-M / WBS-M



Flashing light with integrated flash monitoring and fault message contact.

- For systems with safety-relevant applications, such as X-ray and laser equipment.
- Housing and fixing bracket made of sturdy anodised aluminium.
- Also available with GL approval.
- Ideally suited for tough industrial environments.
- Flash tube secured by additional steel clamp.
- Impact-proof lens.



protection system



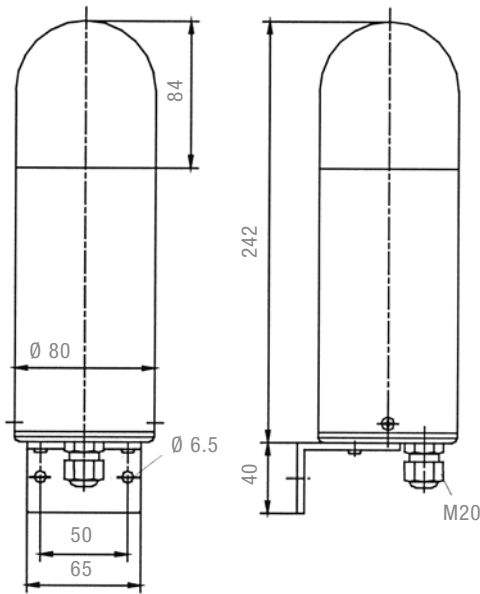
operating temperature



| PRODUCT | WBL-M | | WBS-M | | |
|---|--|---|---------|---------|---------|
| DATA | | | | | |
| Rated voltage | 230 V | 42 V | 48 V | 24 V | 12 V |
| | AC 50 60 Hz | AC 50 60 Hz | DC | DC | DC |
| Operating range | 185–242 V | 37–47 V | 40–57 V | 18–35 V | 10–15 V |
| Nominal current consumption | 0.07 A | 0.5 A | 0.18 W | 0.25 A | 0.6 A |
| Failure indication | switching voltage | max. 250 V AC | | | |
| | switching current | max. 3 A | | | |
| Flash rate | 1 Hz = 60 flashes/min | | | | |
| Flash energy | 5 J | | | | |
| Light intensity (DIN 5037) ¹ | 61 cd | | | | |
| Max. viewing distance | 181 m | | | | |
| Operating temperature | –20 °C ... +55 °C | | | | |
| Storage temperature | –40 °C ... +70 °C | | | | |
| Relative humidity | 90 % | | | | |
| Protection system (EN 60529) | IP 54 (vertical mounting) | | | | |
| Duty cycle | 100 % | | | | |
| Service life of the light source | light emission still 70 % after 8,000,000 flashes | | | | |
| Material | lens |  polycarbonate (PC) | | | |
| | housing | aluminium (Al Mg Si 1), yellow anodised | | | |
| | base | polycarbonate (PC) with fibre glass | | | |
| Cable entry | M20x 1.5 | | | | |
| Connecting terminal | single wire 0.5–2.5 mm ² , fine wire 0.5–1.5 mm ² , with cable end sleeves DIN 46228/1 | | | | |
| Weight | 700 g | | | | |

¹ with a clear lens

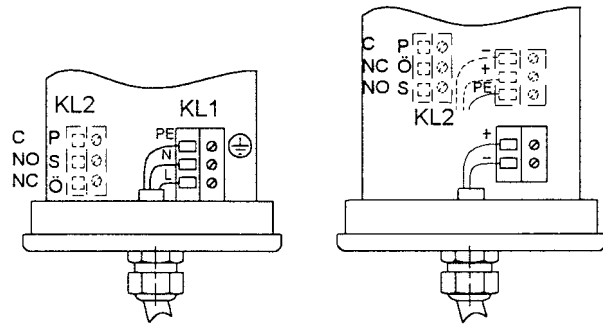
DIMENSIONS



CONNECTION DIAGRAMS

WBL-M

WBS-M



| ARTICLE NO. | WBL-M | | WBS-M |
|-------------|--------------|--------------|--------------|
| | 230 V AC | 115 V AC | 24 V DC |
| Yellow | 21003103 156 | 21003163 156 | 21003803 156 |
| Orange | 21003104 156 | 21003164 156 | 21003804 156 |
| Red | 21003105 156 | 21003165 156 | 21003805 156 |

Article numbers for other colours and voltages on request.

OPTIONS/ACCESSORIES



Article no.
28710500042

CONFORMITY TO STANDARDS

The visual characteristics of flashing lights conform to the European standard DIN EN 842; “Machine safety – visual alarm signals”. Requirements contained in the DIN EN 981 standard; “Machine safety – system of acoustic and visual alarm and information signals”, can be fulfilled. The colours “red” for the emergency signal and “yellow” for the warning signal conform to the requirements of IEC 73 / DIN EN 60073 / VDE 0199; “Coding of display devices and control elements using colours and supplementary means”.

References to visual alarm devices can be found in the following standards:
 EN 60825-1 Radiation safety of laser devices, identical to IEC 825 and DIN-VDE 0837
 DIN EN 54 Fire alarm systems
 DIN 54113-2 Radiation protection regulations for the technical operation of X-ray equipment up to 500 kV