



www.niccomp.com/pcn | Technical Support: tpmg@niccomp.com

Issued: December 22th, 2020
SUB: End of Life Notification

Product Type: Radial Leaded Multilayer Ceramic Capacitor
NIC Series: NCM

The following is notification of the End of Life for the NCM series of radial leaded multilayer ceramic capacitors. This EOL covers all NCM part numbers including all case sizes, tolerances, lead configurations and packaging styles.

Effective: December 30th, 2020
Last order date: June 30th, 2021
Last ship date: December 30th, 2021

Reason for Change: Low demand
Prepared by: Technical Product Marketing Group / tpmg@niccomp.com

Use NIC [Quickbuilder](#) to search for possible MLCC and Ceramic Disc capacitor alternatives.

➔ Follow NIC PCN alerts to get email notifications of EOL and PCN announcements at www.niccomp.com/pcn

NCM15 NPO Part Numbers			
Cap (pF)	50VDC	100VDC	200VDC
1.0	/	NCM15NPO1R0_100_F	NCM15NPO1R0_200_F
1.2	/	NCM15NPO1R2_100_F	NCM15NPO1R2_200_F
2.2	/	NCM15NPO2R2_100_F	NCM15NPO2R2_200_F
2.7	/	NCM15NPO2R7_100_F	NCM15NPO2R7_200_F
3.0	/	NCM15NPO3R0_100_F	NCM15NPO3R0_200_F
3.3	/	NCM15NPO3R3_100_F	NCM15NPO3R3_200_F
3.9	/	NCM15NPO3R9_100_F	NCM15NPO3R9_200_F
4.7	/	NCM15NPO4R7_100_F	NCM15NPO4R7_200_F
5.1	/	NCM15NPO5R1_100_F	NCM15NPO5R1_200_F
5.6	/	NCM15NPO5R6_100_F	NCM15NPO5R6_200_F
6.8	/	NCM15NPO6R8_100_F	NCM15NPO6R8_200_F
7.5	/	NCM15NPO7R5_100_F	NCM15NPO7R5_200_F
8.2	/	NCM15NPO8R2_100_F	NCM15NPO8R2_200_F
9.1	/	NCM15NPO9R1_100_F	NCM15NPO9R1_200_F
10	/	NCM15NPO100_100_F	NCM15NPO100_200_F
12	/	NCM15NPO120_100_F	NCM15NPO120_200_F
22	/	NCM15NPO220_100_F	NCM15NPO220_200_F
27	/	NCM15NPO270_100_F	NCM15NPO270_200_F
30	/	NCM15NPO300_100_F	NCM15NPO300_200_F
33	/	NCM15NPO330_100_F	NCM15NPO330_200_F
39	/	NCM15NPO390_100_F	NCM15NPO390_200_F
47	/	NCM15NPO470_100_F	NCM15NPO470_200_F
51	/	NCM15NPO510_100_F	NCM15NPO510_200_F



NIC Components Corp.

www.niccomp.com/pcn | Technical Support: tpmg@niccomp.com

NCM15 NPO			
Cap (pF)	50VDC	100VDC	200VDC
56	/	NCM15NPO560_100_F	NCM15NPO560_200_F
68	/	NCM15NPO680_100_F	NCM15NPO680_200_F
82	/	NCM15NPO820_100_F	NCM15NPO820_200_F
100	/	NCM15NPO101_100_F	NCM15NPO101_200_F
120	/	NCM15NPO121_100_F	NCM15NPO121_200_F
150	/	NCM15NPO151_100_F	NCM15NPO151_200_F
220	/	NCM15NPO221_100_F	NCM15NPO221_200_F
270	/	NCM15NPO271_100_F	NCM15NPO271_200_F
330	NCM15NPO331_50_F	NCM15NPO331_100_F	NCM15NPO331_200_F
390	NCM15NPO391_50_F	NCM15NPO391_100_F	NCM15NPO391_200_F
470	NCM15NPO471_50_F	NCM15NPO471_100_F	NCM15NPO471_200_F
560	NCM15NPO561_50_F	NCM15NPO561_100_F	NCM15NPO561_200_F
680	NCM15NPO681_50_F	NCM15NPO681_100_F	NCM15NPO681_200_F
750	NCM15NPO751_50_F	/	/
820	NCM15NPO821_50_F	/	/
1,000	NCM15NPO102_50_F	/	/

NCM20 NPO			
Cap (pF)	50VDC	100VDC	200VDC
10	NCM21NPO100_50_F	NCM21NPO100_100_F	NCM21NPO100_200_F
12	NCM21NPO120_50_F	NCM21NPO120_100_F	NCM21NPO120_200_F
22	NCM21NPO220_50_F	NCM21NPO220_100_F	NCM21NPO220_200_F
27	NCM21NPO270_50_F	NCM21NPO270_100_F	NCM21NPO270_200_F
30	NCM21NPO300_50_F	NCM21NPO300_100_F	NCM21NPO300_200_F
33	NCM21NPO330_50_F	NCM21NPO330_100_F	NCM21NPO330_200_F
39	NCM21NPO390_50_F	NCM21NPO390_100_F	NCM21NPO390_200_F
47	NCM21NPO470_50_F	NCM21NPO470_100_F	NCM21NPO470_200_F
51	NCM21NPO510_50_F	NCM21NPO510_100_F	NCM21NPO510_200_F
56	NCM21NPO560_50_F	NCM21NPO560_100_F	NCM21NPO560_200_F
68	NCM21NPO680_50_F	NCM21NPO680_100_F	NCM21NPO680_200_F
100	NCM21NPO101_50_F	NCM21NPO101_100_F	NCM21NPO101_200_F
120	NCM21NPO121_50_F	NCM21NPO121_100_F	NCM21NPO121_200_F
150	NCM21NPO151_50_F	NCM21NPO151_100_F	NCM21NPO151_200_F
220	NCM21NPO221_50_F	NCM21NPO221_100_F	NCM21NPO221_200_F
270	NCM21NPO271_50_F	NCM21NPO271_100_F	NCM21NPO271_200_F
330	NCM21NPO331_50_F	NCM21NPO331_100_F	NCM21NPO331_200_F
390	NCM21NPO391_50_F	NCM21NPO391_100_F	NCM21NPO391_200_F
470	NCM21NPO471_50_F	NCM21NPO471_100_F	NCM21NPO471_200_F

ISO9001:2015 REGISTERED



NIC Components Corp.

www.niccomp.com/pcn | Technical Support: tpmg@niccomp.com

NCM20 NPO			
Cap (pF)	50VDC	100VDC	200VDC
560	NCM21NPO561_50_F	NCM21NPO561_100_F	NCM21NPO561_200_F
680	NCM21NPO681_50_F	NCM21NPO681_100_F	NCM21NPO681_200_F
820	NCM21NPO821_50_F	NCM21NPO821_100_F	NCM21NPO821_200_F
1,000	NCM21NPO102_50_F	NCM21NPO102_100_F	NCM21NPO102_200_F
1,200	NCM21NPO122_50_F	NCM21NPO122_100_F	NCM21NPO122_200_F
1,500	NCM21NPO152_50_F	NCM21NPO152_100_F	NCM21NPO152_200_F
1,800	NCM21NPO182_50_F	NCM21NPO182_100_F	NCM21NPO182_200_F
2,200	NCM21NPO222_50_F	NCM21NPO222_100_F	NCM21NPO222_200_F
2,700	NCM21NPO272_50_F	NCM21NPO272_100_F	NCM21NPO272_200_F
3,300	NCM21NPO332_50_F	NCM21NPO332_100_F	NCM21NPO332_200_F
3,900	NCM21NPO392_50_F	NCM21NPO392_100_F	NCM21NPO392_200_F
4,700	NCM21NPO472_50_F	NCM21NPO472_100_F	NCM21NPO472_200_F
5,600	NCM21NPO562_50_F	NCM21NPO562_100_F	NCM21NPO562_200_F
6,800	NCM21NPO682_50_F	NCM21NPO682_100_F	NCM21NPO682_200_F
8,200	NCM21NPO822_50_F	/	/

NCM30 NPO		
Cap (pF)	50VDC	100VDC
8,200	/	NCM30NPO822_100_F
10,000	NCM30NPO103_50_F	NCM30NPO103_100_F
15,000	NCM30NPO153_50_F	NCM30NPO153_100_F
18,000	NCM30NPO183_50_F	NCM30NPO183_100_F
22,000	NCM30NPO223_50_F	NCM30NPO223_100_F
27,000	NCM30NPO273_50_F	/

NCM40 NPO		
Cap (pF)	50VDC	100VDC
33,000	/	NCM40NPO333_100_F
39,000	NCM40NPO393_50_F	NCM40NPO393_100_F
47,000	NCM40NPO473_50_F	NCM40NPO473_100_F
56,000	NCM40NPO563_50_F	/
68,000	NCM40NPO683_50_F	/



NIC Components Corp.

www.niccomp.com/pcn | Technical Support: tpmg@niccomp.com

NCM50 NPO		
Cap (pF)	50VDC	100VDC
10,000	NCM50NPO103_50_F	NCM50NPO103_100_F
15,000	NCM50NPO153_50_F	NCM50NPO153_100_F
18,000	NCM50NPO183_50_F	NCM50NPO183_100_F
22,000	NCM50NPO223_50_F	NCM50NPO223_100_F
27,000	NCM50NPO273_50_F	NCM50NPO273_100_F
33,000	NCM50NPO333_50_F	NCM50NPO333_100_F
39,000	NCM50NPO393_50_F	NCM50NPO393_100_F
39,000	NCM50NPO393_50_F	NCM50NPO393_100_F
47,000	NCM50NPO473_50_F	NCM50NPO473_100_F
56,000	NCM50NPO563_50_F	NCM50NPO473_100_F
68,000	NCM50NPO683_50_F	NCM50NPO563_100_F
82,000	NCM50NPO823_50_F	NCM50NPO683_100_F
100,000	NCM50NPO104_50_F	/

NCM15 X7R Part Numbers			
Cap (pF)	50VDC	100VDC	200VDC
470	NCM15X7R471_50_F	NCM15X7R471_100_F	NCM15X7R471_200_F
560	NCM15X7R561_50_F	NCM15X7R561_100_F	NCM15X7R561_200_F
680	NCM15X7R681_50_F	NCM15X7R681_100_F	NCM15X7R681_200_F
820	NCM15X7R821_50_F	NCM15X7R821_100_F	NCM15X7R821_200_F
1000	NCM15X7R102_50_F	NCM15X7R102_100_F	NCM15X7R102_200_F
1200	NCM15X7R122_50_F	NCM15X7R122_100_F	NCM15X7R122_200_F
1500	NCM15X7R152_50_F	NCM15X7R152_100_F	NCM15X7R152_200_F
1800	NCM15X7R182_50_F	NCM15X7R182_100_F	NCM15X7R182_200_F
2200	NCM15X7R222_50_F	NCM15X7R222_100_F	NCM15X7R222_200_F
2700	NCM15X7R272_50_F	NCM15X7R272_100_F	NCM15X7R272_200_F
3300	NCM15X7R332_50_F	NCM15X7R332_100_F	NCM15X7R332_200_F
3900	NCM15X7R392_50_F	NCM15X7R392_100_F	NCM15X7R392_200_F
4700	NCM15X7R472_50_F	NCM15X7R472_100_F	NCM15X7R472_200_F
5600	NCM15X7R562_50_F	/	/
6800	NCM15X7R682_50_F	/	/
8200	NCM15X7R822_50_F	/	/
10000	NCM15X7R103_50_F	/	/
15000	NCM15X7R153_50_F	/	/
18000	NCM15X7R183_50_F	/	/
22000	NCM15X7R223_50_F	/	/

ISO9001:2015 REGISTERED



NIC Components Corp.

www.niccomp.com/pcn | Technical Support: tpmg@niccomp.com

NCM20 X7R			
Cap (pF)	50VDC	100VDC	200VDC
5,600	NCM20X7R562_50_F	/	/
6,800	NCM20X7R682_50_F	/	/
8,200	NCM20X7R822_50_F	/	/
10,000	NCM20X7R103_50_F	NCM20X7R103_100_F	NCM20X7R103_200_F
15,000	NCM20X7R153_50_F	NCM20X7R153_100_F	NCM20X7R153_200_F
18,000	NCM20X7R183_50_F	NCM20X7R183_100_F	NCM20X7R183_200_F
22,000	NCM20X7R223_50_F	NCM20X7R223_100_F	NCM20X7R223_200_F
27,000	NCM20X7R273_50_F	NCM20X7R273_100_F	NCM20X7R273_200_F
33,000	NCM20X7R333_50_F	NCM20X7R333_100_F	NCM20X7R333_200_F
39,000	NCM20X7R393_50_F	NCM20X7R393_100_F	NCM20X7R393_200_F
47,000	NCM20X7R473_50_F	NCM20X7R473_100_F	NCM20X7R473_200_F
56,000	NCM20X7R563_50_F	NCM20X7R563_100_F	NCM20X7R563_200_F
68,000	NCM20X7R683_50_F	NCM20X7R683_100_F	NCM20X7R683_200_F
82,000	NCM20X7R823_50_F	NCM20X7R823_100_F	NCM20X7R823_200_F
100,000	NCM20X7R104_50_F	NCM20X7R104_100_F	NCM20X7R104_200_F
150,000	NCM20X7R154_50_F	/	/

NCM21 X7R			
Cap (pF)	50VDC	100VDC	200VDC
1,000	NCM21X7R102_50_F	NCM21X7R102_100_F	NCM21X7R102_200_F
1,200	NCM21X7R122_50_F	NCM21X7R122_100_F	NCM21X7R122_200_F
1,500	NCM21X7R152_50_F	NCM21X7R152_100_F	NCM21X7R152_200_F
1,800	NCM21X7R182_50_F	NCM21X7R182_100_F	NCM21X7R182_200_F
2,200	NCM21X7R222_50_F	NCM21X7R222_100_F	NCM21X7R222_200_F
2,700	NCM21X7R272_50_F	NCM21X7R272_100_F	NCM21X7R272_200_F
3,300	NCM21X7R332_50_F	NCM21X7R332_100_F	NCM21X7R332_200_F
3,900	NCM21X7R392_50_F	NCM21X7R392_100_F	NCM21X7R392_200_F
4,700	NCM21X7R472_50_F	NCM21X7R472_100_F	NCM21X7R472_200_F
5,600	NCM21X7R562_50_F	NCM21X7R562_100_F	NCM21X7R562_200_F
6,800	NCM21X7R682_50_F	NCM21X7R682_100_F	NCM21X7R682_200_F
8,200	NCM21X7R822_50_F	NCM21X7R822_100_F	NCM21X7R822_200_F
10,000	NCM21X7R103_50_F	NCM21X7R103_100_F	NCM21X7R103_200_F
15,000	NCM21X7R153_50_F	NCM21X7R153_100_F	NCM21X7R153_200_F
18,000	NCM21X7R183_50_F	NCM21X7R183_100_F	NCM21X7R183_200_F
22,000	NCM21X7R223_50_F	NCM21X7R223_100_F	NCM21X7R223_200_F
27,000	NCM21X7R273_50_F	NCM21X7R273_100_F	NCM21X7R273_200_F
33,000	NCM21X7R333_50_F	NCM21X7R333_100_F	NCM21X7R333_200_F
39,000	NCM21X7R393_50_F	NCM21X7R393_100_F	NCM21X7R393_200_F
47,000	NCM21X7R473_50_F	NCM21X7R473_100_F	NCM21X7R473_200_F
56,000	NCM21X7R563_50_F	NCM21X7R563_100_F	NCM21X7R563_200_F
68,000	NCM21X7R683_50_F	NCM21X7R683_100_F	NCM21X7R683_200_F
82,000	NCM21X7R823_50_F	NCM21X7R823_100_F	NCM21X7R823_200_F

ISO9001:2015 REGISTERED



NIC Components Corp.

www.niccomp.com/pcn | Technical Support: tpmg@niccomp.com

NCM21 X7R			
Cap (pF)	50VDC	100VDC	200VDC
100,000	NCM21X7R104_50_F	NCM21X7R104_100_F	NCM21X7R104_200_F
150,000	NCM21X7R155_50_F	/	/
220,000	NCM21X7R224_50_F	/	/

NCM30 X7R		
Cap (pF)	50VDC	100VDC
150,000	/	NCM30X7R154_100_F
220,000	/	NCM30X7R224_100_F
330,000	NCM30X7R334_50_F	NCM30X7R334_100_F
470,000	NCM30X7R474_50_F	NCM30X7R474_100_F
560,000	NCM30X7R564_50_F	/
680,000	NCM30X7R684_50_F	/
750,000	NCM30X7R754_50_F	/
820,000	NCM30X7R824_50_F	/
100,000	NCM30X7R105_50_F	/

NCM40 X7R		
Cap (pF)	50VDC	100VDC
390000	/	NCM40X7R394_100_F
470000	/	NCM40X7R474_100_F
560000	/	NCM40X7R564_100_F
680000	/	NCM40X7R684_100_F
820000	/	NCM40X7R824_100_F
1000000	/	NCM40X7R105_100_F
2200000	NCM40X7R225_50_F	/
2700000	NCM40X7R275_50_F	/

NCM50 X7R		
Cap (pF)	50VDC	100VDC
330,000	/	NCM50X7R334_100_F
470,000	/	NCM50X7R474_100_F
680,000	/	NCM50X7R684_100_F
820,000	/	NCM50X7R824_100_F
1,000,000	NCM50X7R105_50_F	NCM50X7R105_100_F
2,200,000	NCM50X7R225_50_F	NCM50X7R155_100_F
3,300,000	NCM50X7R335_50_F	NCM50X7R225_100_F
4,700,000	NCM50X7R475_50_F	/

ISO9001:2015 REGISTERED



NIC Components Corp.

www.niccomp.com/pcn | Technical Support: tpmg@niccomp.com

NCM15 Z5U Part Numbers			
Cap (pF)	50VDC	100VDC	200VDC
1,000	/	NCM15Z5U102_100_F	NCM15Z5U102_200_F
1,200	/	NCM15Z5U122_100_F	NCM15Z5U122_200_F
1,500	/	NCM15Z5U152_100_F	NCM15Z5U152_200_F
1,800	/	NCM15Z5U182_100_F	NCM15Z5U182_200_F
2,200	/	NCM15Z5U222_100_F	NCM15Z5U222_200_F
2,700	/	NCM15Z5U272_100_F	NCM15Z5U272_200_F
3,300	/	NCM15Z5U332_100_F	NCM15Z5U332_200_F
3,900	/	NCM15Z5U392_100_F	NCM15Z5U392_200_F
4,700	/	NCM15Z5U472_100_F	NCM15Z5U472_200_F
5,600	/	NCM15Z5U562_100_F	NCM15Z5U562_200_F
6,800	/	NCM15Z5U682_100_F	NCM15Z5U682_200_F
8,200	/	NCM15Z5U822_100_F	NCM15Z5U822_200_F
10,000	NCM15Z5U103_50_F	NCM15Z5U103_100_F	NCM15Z5U103_200_F
12,000	NCM15Z5U123_50_F	/	/
15,000	NCM15Z5U153_50_F	/	/
18,000	NCM15Z5U183_50_F	/	/
22,000	NCM15Z5U223_50_F	/	/
27,000	NCM15Z5U273_50_F	/	/
33,000	NCM15Z5U333_50_F	/	/
39,000	NCM15Z5U393_50_F	/	/
47,000	NCM15Z5U473_50_F	/	/
56,000	NCM15Z5U563_50_F	/	/
68,000	NCM15Z5U683_50_F	/	/
82,000	NCM15Z5U823_50_F	/	/

NCM20 Z5U			
Cap (pF)	50VDC	100VDC	200VDC
100,000	NCM20Z5U104_50_F	/	/
150,000	NCM20Z5U154_50_F	NCM20Z5U154_100_F	NCM20Z5U154_200_F
220,000	NCM20Z5U224_50_F	NCM20Z5U224_100_F	NCM20Z5U224_200_F
330,000	NCM20Z5U334_50_F	/	/
470,000	NCM20Z5U474_50_F	/	/

NCM21 Z5U			
Cap (pF)	50VDC	100VDC	200VDC
10,000	NCM21Z5U103_50_F	NCM21Z5U103_100_F	NCM21Z5U103_200_F
15,000	NCM21Z5U153_50_F	NCM21Z5U153_100_F	NCM21Z5U153_200_F
22,000	NCM21Z5U223_50_F	NCM21Z5U223_100_F	NCM21Z5U223_200_F
27,000	NCM21Z5U273_50_F	NCM21Z5U273_100_F	NCM21Z5U273_200_F
33,000	NCM21Z5U333_50_F	NCM21Z5U333_100_F	NCM21Z5U333_200_F
39,000	NCM21Z5U393_50_F	NCM21Z5U393_100_F	NCM21Z5U393_200_F

ISO9001:2015 REGISTERED



NIC Components Corp.

www.niccomp.com/pcn | Technical Support: tpmg@niccomp.com

NCM21 Z5U			
Cap (pF)	50VDC	100VDC	200VDC
47,000	NCM21Z5U473_50_F	NCM21Z5U473_100_F	NCM21Z5U473_200_F
56,000	NCM21Z5U563_50_F	NCM21Z5U563_100_F	NCM21Z5U563_200_F
68,000	NCM21Z5U683_50_F	NCM21Z5U683_100_F	NCM21Z5U683_200_F
82,000	NCM21Z5U823_50_F	NCM21Z5U823_100_F	NCM21Z5U823_200_F
100,000	NCM21Z5U104_50_F	NCM21Z5U104_100_F	NCM21Z5U104_200_F
220,000	NCM21Z5U224_50_F	NCM21Z5U224_100_F	NCM21Z5U224_200_F
330,000	/	NCM21Z5U334_100_F	NCM21Z5U334_200_F
470,000	/	NCM21Z5U474_100_F	NCM21Z5U474_200_F

NCM30 Z5U		
Cap (pF)	50VDC	100VDC
330,000	/	NCM30Z5U334_100_F
470,000	NCM30Z5U474_50_F	NCM30Z5U474_100_F
680,000	NCM30Z5U684_50_F	NCM30Z5U684_100_F
820,000	NCM30Z5U824_50_F	NCM30Z5U824_100_F
1,000,000	NCM30Z5U105_50_F	NCM30Z5U105_100_F
2,200,000	NCM30Z5U225_50_F	NCM40Z5U225_100_F
3,300,000	NCM30Z5U335_50_F	/

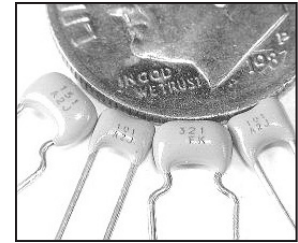
NCM40 Z5U		
Cap (pF)	50VDC	100VDC
330,000	/	NCM30Z5U334_100_F
470,000	/	NCM30Z5U474_100_F
680,000	NCM30Z5U684_50_F	NCM30Z5U684_100_F
820,000	NCM30Z5U824_50_F	NCM30Z5U824_100_F
1,000,000	NCM30Z5U105_50_F	NCM30Z5U105_100_F
2,200,000	NCM30Z5U225_50_F	NCM40Z5U225_100_F
3,300,000	NCM30Z5U335_50_F	/

NCM50 Z5U		
Cap (pF)	50VDC	100VDC
1,000,000	NCM50Z5U105_50_F	NCM50Z5U105_100_F
2,200,000	NCM50Z5U225_50_F	NCM50Z5U225_100_F
3,300,000	NCM50Z5U335_50_F	/
4,700,000	NCM50Z5U475_50_F	/

Conformally Coated, Radial Multilayer Ceramic Capacitors

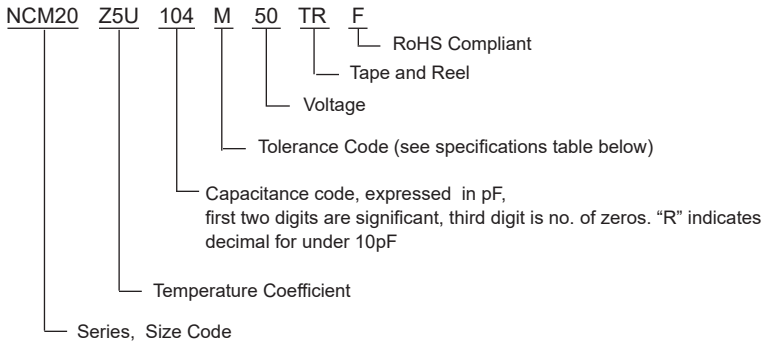
FEATURES

- FLAME RETARDANT EPOXY COATING
- TEMPERATURE COEFFICIENTS NPO, X7R, Z5U
- AVAILABLE ON TAPE AND REEL



PART NUMBER SYSTEM

*See Part Number System for Details



SPECIFICATIONS

Characteristics	NPO	X7R	Z5U
Capacitance Range*	1pF ~ 0.1μF	470pF ~ 4.7μF	1000pF ~ 4.7μF
Capacitance Tolerance (Code)	±1%(F), ±2%(G), ±5%(J)	±5%(J), ±10%(K), ±20%(M)	±20%(M), +80%/-20%(Z)
Operating Temperature Range	-55°C to +125°C	-55°C to +125°C	+10°C to +85°C
Temperature Characteristics	0±30ppm/°C	±15% (0 Vdc)	+22%/-56%
Voltage Rating	50, 100 & 200 Vdc	50 & 100 Vdc	50 & 100 Vdc
Dissipation Factor	0.15% Max. (+25°C and +125°C) for values greater than 30 pF. For values of 30pF and below: Q = 20 x C +400 1.0Vrms 1MHz for values ≤ 1000pF 1KHz for values > 1000pF	2.5% Max. at 1KHz, 1Vrms Max.	4.0% Max. at 1KHz, 5Vrms Max.
Insulation Resistance 25°C (Mil- STD-202, Method 302)	100K Megohms or 1000 Megohm -μF Min., Whichever is Less	100K Megohms or 1000 Megohm -μF Min., Whichever is Less	10K Megohms or 100 Megohm -μF Min., Whichever is Less
Dielectric Strength	250% of Rated Voltage	250% of Rated Voltage	200% of Rated Voltage
Life Test (1000 hours)	200% of Rated Voltage at +125°C	200% of Rated Voltage at +125°C	150% of Rated Voltage at +85°C

Conformally Coated, Radial Multilayer Ceramic Capacitors

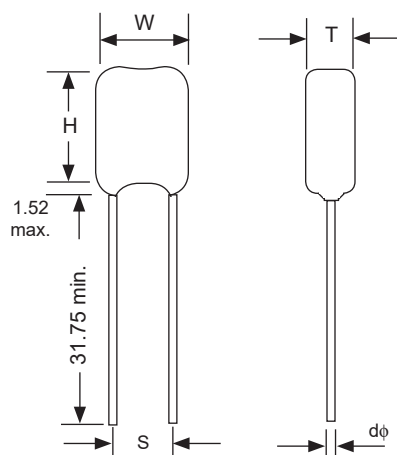
SIZE CODE AND AVAILABLE CAPACITANCE RANGE

Size Code	WVDC	NPO	X7R	Z5U
NCM15	50	330pF~1000pF	470pF~0.022μF	0.01μF~0.082μF
	100/200	1pF~680pF	470pF~4700pF	1000pF~0.01μF
NCM20	50	820pF~8200pF	5600pF~0.15μF	0.1μF~0.47μF
	100/200	330pF~6800pF	0.01μF~0.1μF	0.15μF~0.22μF
NCM21	50	10pF~8200pF	1000pF~0.22μF	0.015μF~0.22μF
	100/200	10pF~6800pF	1000pF~0.1μF	0.01μF~0.47μF
NCM30	50	0.01μF~0.027μF	0.33μF~1.0μF	0.68μF~3.3μF
	100	8200pF~0.022μF	0.15μF~0.47μF	0.33μF~1.0μF
NCM40	50	0.039μF~0.068μF	2.2μF~2.7μF	-
	100	0.033μF~0.047μF	0.39μF~1.0μF	1.5μF~2.2μF
NCM50	50	0.01μF~0.1μF	1.0μF~4.7μF	1.0μF~4.7μF
	100	0.01μF~0.068μF	0.33μF~2.2μF	1.0μF~2.2μF

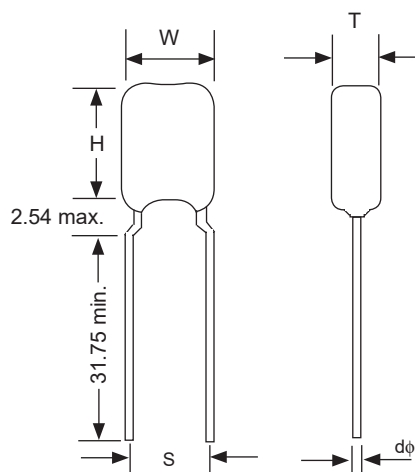
DIMENSIONS (mm)

Size Code	W max. Width	H max. Height	T max. Thickness	S ±0.76 Lead Spacing	dφ Lead Diameter
NCM15	3.81	3.81	2.54	2.54	0.5
NCM20	5.08	5.08	3.18	2.54	0.5
NCM21	5.08	5.08	3.18	5.08	0.5
NCM30	7.62	7.62	3.81	5.08	0.5
NCM40	10.15	10.15	3.81	5.08	0.5
NCM50	12.70	12.70	5.08	10.16	0.63

NCM 15, 20, 30, 40, 50



NCM 21



PACKAGING

BULK

NCM 15, 20, 21	1000 pieces per bag
NCM 30, 40, 50	500 pieces per bag

TAPE AND REEL

NCM 15	3500 pieces per reel
NCM 20 & 21	3000 pieces per reel
NCM 30	2000 pieces per reel
NCM 40	2000 pieces per reel

*TAPE AND REEL SPECIFICATIONS SUPPLIED ON REQUEST.