

PRODUCT NUMBER

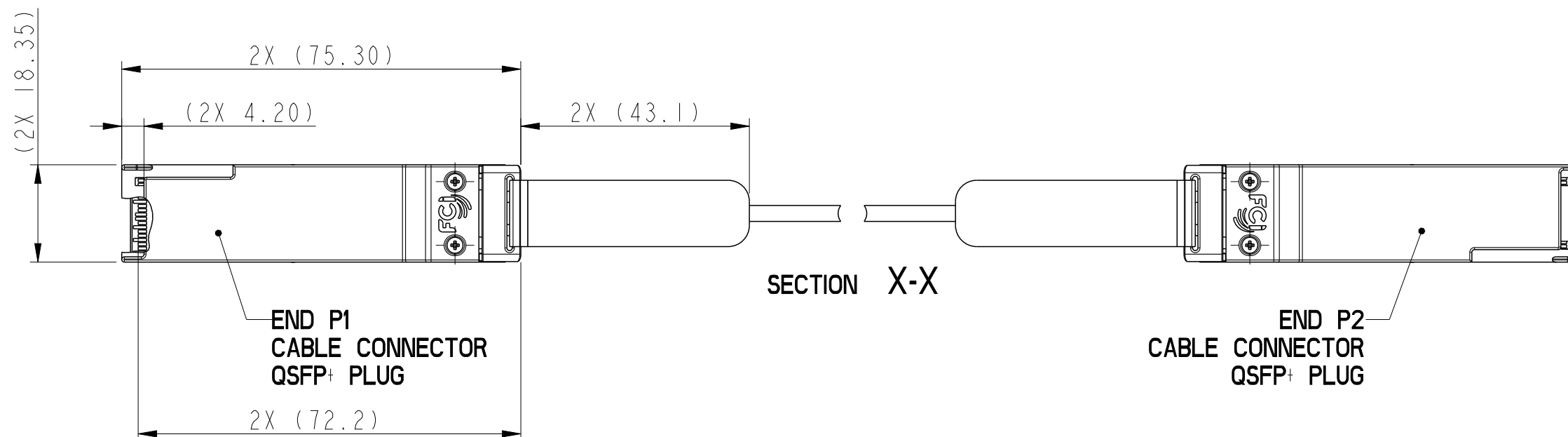
ICD040GVP163X-XX

PRODUCT NUMBER DESCRIPTION:

ICD040GVP163 X - XX

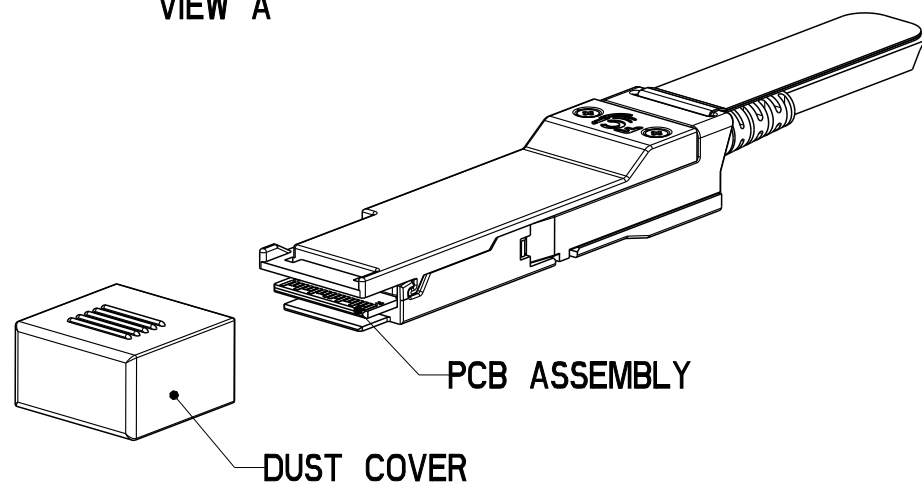
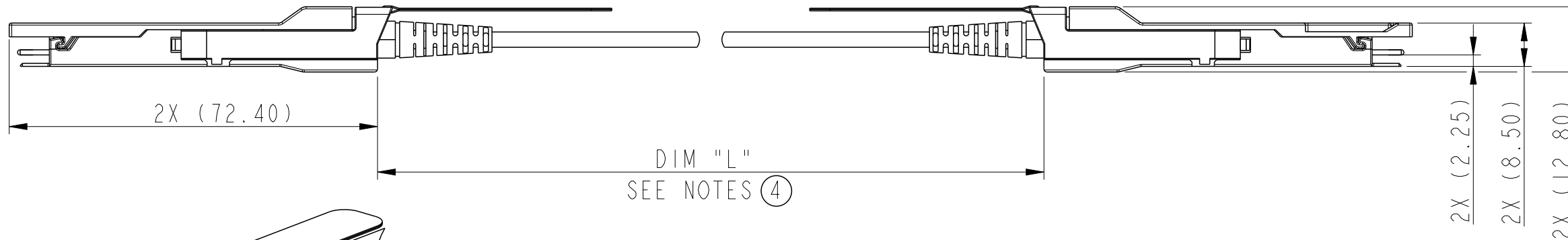
LENGTH
 XX= METERS
 EXAMPLE : 05 = 05 METERS (DIM "L")
 C0 = 100 METERS (DIM "L")

DIGITAL DIAGNOSTIC MONITORING
 D : WITH DDM SUPPORT
 O : WITHOUT DDM SUPPORT



VIEW A

VIEW A



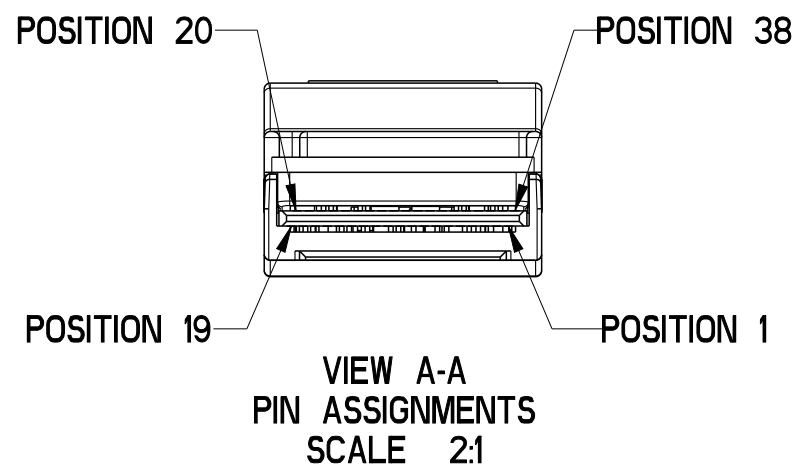
spec ref	-	dr	M Srinivasan	2011/12/09	projection	MM	size	A3	scale	1:1												
tolerance std	ASME Y14.5	eng	Andreas Krink	2012/03/14			ecn no	ELX-H-010740-1														
TOLERANCES UNLESS OTHERWISE SPECIFIED		chr	-	-			rel level	Released														
surface	<table border="1"> <tr> <td>linear</td> <td>0.X</td> <td>±0.3</td> </tr> <tr> <td></td> <td>0.XX</td> <td>±0.10</td> </tr> <tr> <td></td> <td>0.XXX</td> <td>±0.05</td> </tr> <tr> <td>angular</td> <td>0°</td> <td>±2°</td> </tr> </table>	linear	0.X	±0.3		0.XX	±0.10		0.XXX	±0.05	angular	0°	±2°	appr	Sven Otte	2012/03/14	product family	QSFP+ AOC	rel level	Released		
linear	0.X	±0.3																				
	0.XX	±0.10																				
	0.XXX	±0.05																				
angular	0°	±2°																				
ASME Y14.5		www.fci.com	cat. no.	-	Product - Customer Drw	sheet 1 of 2	<table border="1"> <tr> <td>title</td> <td>STRAIGHT BOOT PRODUCT ASSEMBLY</td> <td>rev</td> <td>D</td> </tr> <tr> <td>dwg no</td> <td>ICD040GVP163X</td> <td></td> <td></td> </tr> </table>	title	STRAIGHT BOOT PRODUCT ASSEMBLY	rev	D	dwg no	ICD040GVP163X									
title	STRAIGHT BOOT PRODUCT ASSEMBLY	rev	D																			
dwg no	ICD040GVP163X																					

PRODUCT NUMBER

ICD040GVP163X-XX

EDGE CONNECTOR PAD DESCRIPTION

POSITION	SYMBOL	POSITION	SYMBOL
19	GND	20	GND
18	RX1n	21	RX2n
17	RX1p	22	RX2p
16	GND	23	GND
15	RX3n	24	RX4n
14	RX3p	25	RX4p
13	GND	26	GND
12	SDA	27	ModPrsL
11	SCL	28	IntL
10	VccRx	29	VccTx
9	ResetL	30	VccI
8	ModSeIL	31	LPMode
7	GND	32	GND
6	TX4p	33	TX3p
5	TX4n	34	TX3n
4	GND	35	GND
3	TX2p	36	TX1p
2	TX2n	37	TX1n
1	GND	38	GND



NOTES:

- MATERIAL:
 COVERS : ZINC ALLOY/ COPPER UNDERPLATE/ NICKEL OVERPLATE
 PULL TAB : THERMOPLASTIC POLYMER
 LATCH RELEASE: ZINC ALLOY/ COPPER UNDERPLATE/ NICKEL OVERPLATE
 DRIVE SCREWS: STAINLESS STEEL
 STRAIN RELIEF BOOT : THERMOPLASTIC
 SPRING : STAINLESS STEEL
 PADDLE CARD: PRINTED CIRCUIT SUBSTRATE-FR4.
 DUST COVER : POLY ETHYLENE
 TOP & BOTTOM BLISTER (NOT SHOWN) : PET
 PACKAGING: FOR CABLE-LENGTH >30M ONE BOX-SET IS USED INSTEAD OF TOP/BOTTOM BLISTER
 BOX-SET MATERIAL: PAPERBOARD AND ANTISTATIC PLASTIC
- REFERENCE PRODUCT SPECIFICATION GS-XX-XXX FOR DETAILED SPECIFICATIONS.
- THIS PRODUCT MEETS THE RESTRICTION OF HAZARDOUS SUBSTANCES IN ELECTRICAL AND ELECTRONIC EQUIPMENT (RoHS).DIRECTIVE 2002/95/EC.
- THIS DIMENSION IS A FINISHED PRODUCT LENGTH.
- A "⚠" SYMBOL WILL BE NEXT TO ANY DIMENSION, VIEW, OR NOTE WHICH HAS BEEN MODIFIED WITH THE CURRENT DRAWING REVISION. THE CURRENT REVISION WILL BE SHOWN

drn M Srinivasan 2011/12/09		projection	MM	size A3	scale 2:1
eng Andreas Krink 2012/03/14				ecn no ELX-H-010740-1	
chr -				product family QSFP+ AOC	rel level Released
appr Sven Otte 2012/03/14				title STRAIGHT BOOT PRODUCT ASSEMBLY QSFP+ AOC	
tolerance std ASME Y14.5 TOLERANCES UNLESS OTHERWISE SPECIFIED		surface <input checked="" type="checkbox"/> linear ASME Y14.5 angular		dwg no ICD040GVP163X rev D	
0.X ±0.3 0.XX ±0.10 0.XXX ±0.05 0° ±2°		www.fci.com		cat. no. - Product - Customer Drw sheet 2 of 2	

Copyright FCI.