

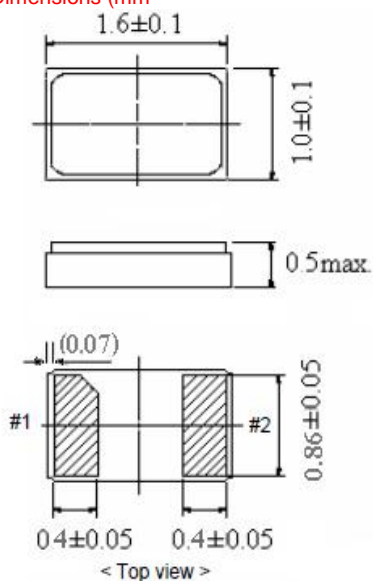


## Tuning Fork Crystal

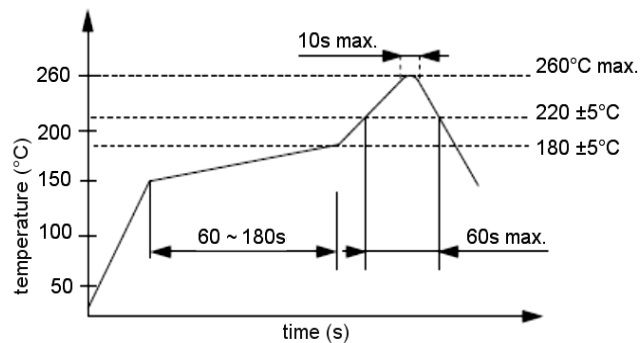
SMD-version

model	KX-327FT
frequency	32.768 kHz
operating temperature	-40° ~ +85°C
frequency tolerance (df/F) at +25°C ± 3°C	± 20 ppm
temperature tolerance (parabolic coefficient) at -40° ~ +85°C	-0.036 ppm ± 0.01/°C <sup>2</sup> typ.
turnover temperature	+25°C ± 5°C
storage temperature range	-55°C ~ +125°C
load capacitance C <sub>L</sub>	9 pF
motional capacitance( C <sub>1</sub> )	7.0 pF typ.
series resonance R1	90k Ohm max., 60k Ohm typ.
aging at +25°C (first year) max.	± 5 ppm
drive level	0.5 μW typ.
contents of reel	3000 pcs.
part no.	12.87172

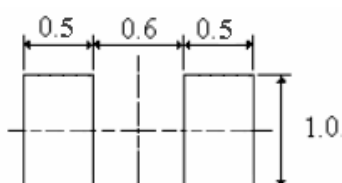
Dimensions (mm)



Reflow soldering condition:



Suggested soldering pad:



Tape specification:

