

? Dimensions ? Mounting Hole Dimensions ? Terminal Layout / Circuit Diagram ?  
? Packing Specifications ? Soldering Conditions ?

PRINT

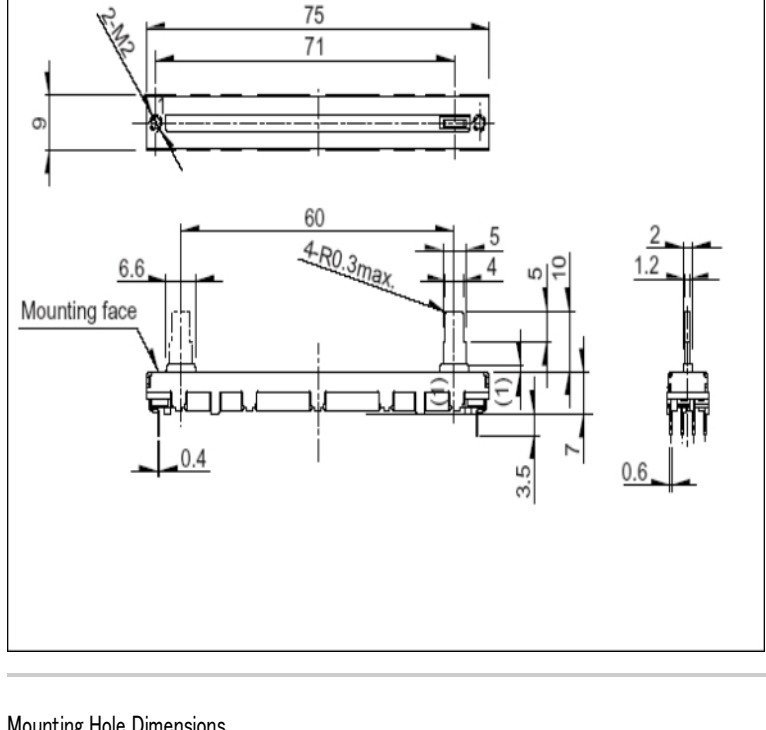
**Metal lever**

Part number	<b>RS6011Y19004</b>	
Number of resistor elements	Single-unit	
Direction of lever	Vertical	
Travel	60mm	
Lever type	9-1	
Length of lever	10mm	
Total resistance	10k?	
Resistance taper	1B	
Detent	Without	
Mounting plate	Without	
Operating temperature range	-25° C to +70° C	
Electrical performance	Total resistance tolerance	±20%
	Maximum operating voltage	200V AC, 10V DC
	Rated Voltage	0.2W
	Insulation resistance	100M? min. 250V DC
	Voltage proof	300V AC for 1 minute
Mechanical performance	Operating force	0.3 to 2.5N
	Stopper strength	50N
	Lever push-pull strength	50N
	Lever wobble (Both side)	2mm
	Lever deviation (One side)	0.5mm max.
Durability	Operating life	15,000 cycles
Environmental performance	Cold	-30±2° C for 96h
	Dry heat	70±2° C for 96h
	Damp heat	40±2° C, 90 to 95%RH for 96h
Minimum order unit (pcs.)	Japan	900
	Export	900

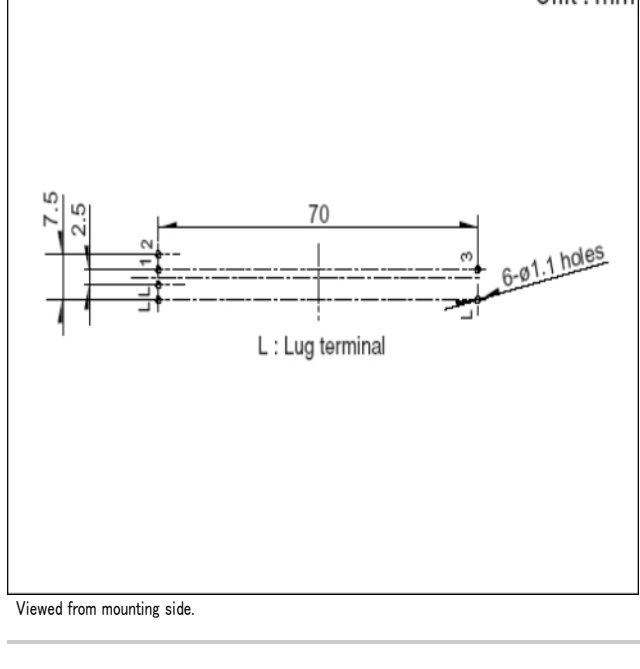
3D CAD (STEP) [↓](#)

Certificate of Compliance to RoHS regulations [↓](#)

**Dimensions**

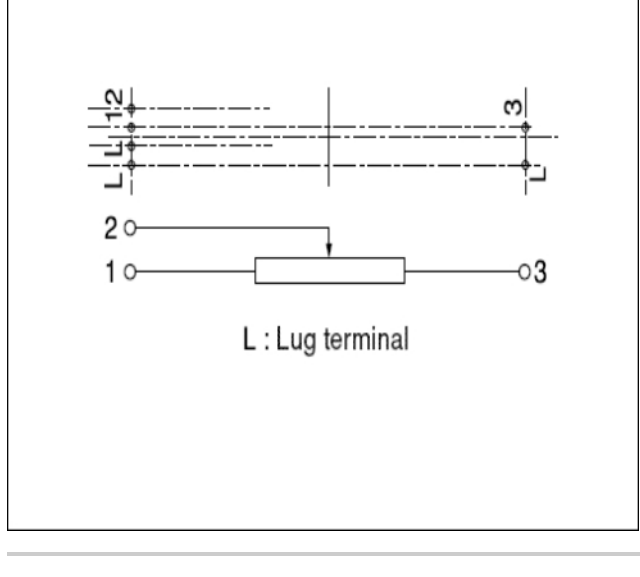


**Mounting Hole Dimensions**



Viewed from mounting side.

**Terminal Layout / Circuit Diagram**



**Packing Specifications**

<b>Tray</b>		
Number of packages (pcs.)	1 case / Japan	900
	1 case / export packing	900
Export package measurements (mm)	373 × 529 × 273	

**Soldering Conditions**

<b>Reference for Dip Soldering</b>		
Preheating	Soldering surface temperature	100? max.
	Heating time	1 min. max.
Dip soldering	Soldering temperature	260? max.
	Soldering time	5s max.
No. of solders	1 time	
<b>Reference for Hand Soldering</b>		
Tip temperature	350? max.	
Soldering time	3s max.	
No. of solders	1 time	

**Notes are common to this series/models.**

- This site catalog shows only outline specifications. When using the products, please obtain formal specifications for supply.
- Please place purchase orders per minimum order unit (integer).
- Products other than those listed in above products are also available. Please contact us for details.
- "L" in the "Lever Wobble" column of the above table indicates the length of lever.
- This products can be used in vehicles.  
Although these products are designed to perform over a wide operating temperature range, please ensure that you receive and read the formal delivery specifications before use.

**Inquiries about Products**

[Inquiry](#)

For more information please contact: Sales or Products Information Center.  
1-7, Yukigaya-otsukamachi, Ota-ku, Tokyo, Japan 145-8501  
PHONE : +81 (3) 5499-8154