

Super Slide™ (Standard Type) RS**1 Series

Series Common Info

? Dimensions ? Mounting Hole Dimensions ? Terminal Layout / Circuit Diagram ?
? Packing Specifications ? Soldering Conditions ?

PRINT

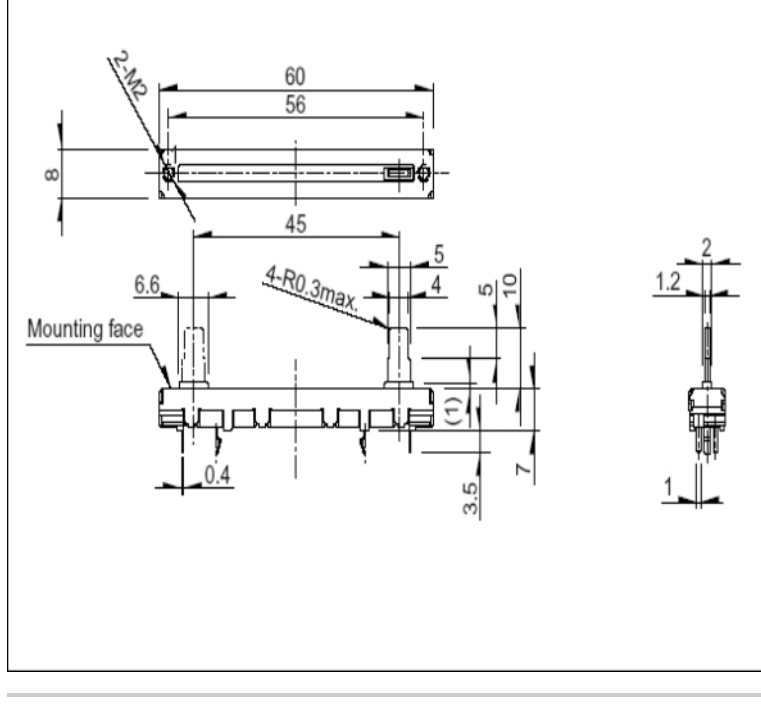
Metal lever

Part number	RS45111A900F	
Number of resistor elements	Single-unit	
Direction of lever	Vertical	
Travel	45mm	
Lever type	9-1	
Length of lever	10mm	
Total resistance	10k?	
Resistance taper	1B	
Detent	Without	
Mounting plate	With	
Operating temperature range	-25° C to +70° C	
Electrical performance	Total resistance tolerance	±20%
	Maximum operating voltage	200V AC, 10V DC
	Rated Voltage	0.25W
	Insulation resistance	100M? min. 250V DC
Mechanical performance	Voltage proof	300V AC for 1 minute
	Operating force	0.3 to 2.5N
	Stopper strength	50N
	Lever push-pull strength	50N
Durability	Lever wobble (Both side)	2mm
	Lever deviation (One side)	0.5mm max.
	Operating life	15,000 cycles
Environmental performance	Cold	-30±2° C for 96h
	Dry heat	70±2° C for 96h
	Damp heat	40±2° C, 90 to 95%RH for 96h
Minimum order unit (pcs.)	Japan	1,300
	Export	1,300

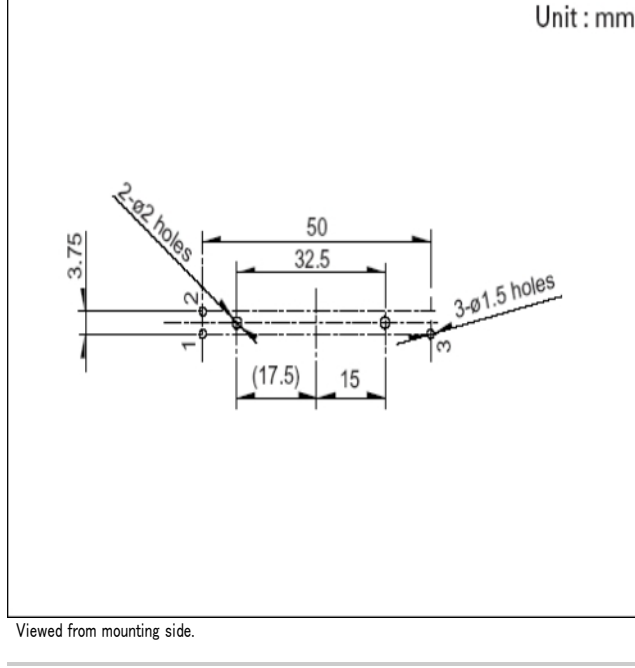
3D CAD (STEP) [↓](#)

Certificate of Compliance to RoHS regulations [↓](#)

Dimensions

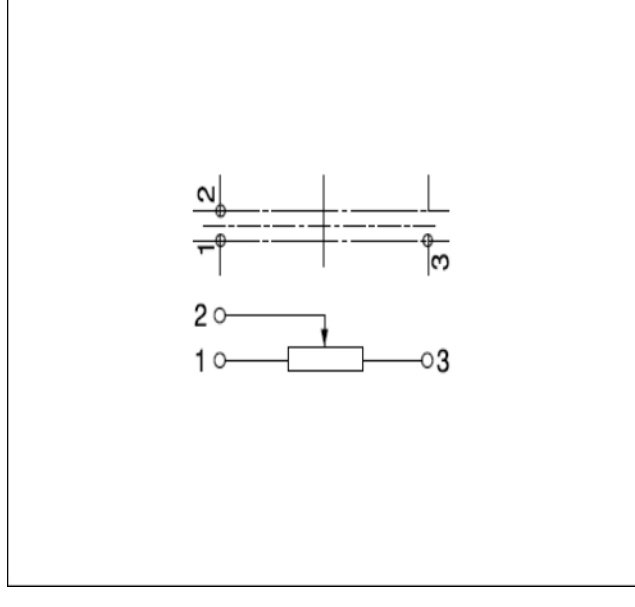


Mounting Hole Dimensions



Viewed from mounting side.

Terminal Layout / Circuit Diagram



Packing Specifications

Tray		
Number of packages (pcs.)	1 case / Japan	1,300
	1 case / export packing	1,300
Export package measurements (mm)	373 × 529 × 273	

Soldering Conditions

Reference for Dip Soldering

Preheating	Soldering surface temperature	100? max.
	Heating time	1 min. max.
Dip soldering	Soldering temperature	260? max.
	Soldering time	5s max.
No. of solders	1 time	

Reference for Hand Soldering

Tip temperature	350? max.	
Soldering time	3s max.	
No. of solders	1 time	

Notes are common to this series/models.

- This site catalog shows only outline specifications. When using the products, please obtain formal specifications for supply.
- Please place purchase orders per minimum order unit (integer).
- Products other than those listed in above products are also available. Please contact us for details.
- "L" in the "Lever Wobble" column of the above table indicates the length of lever.
- This products can be used in vehicles.
Although these products are designed to perform over a wide operating temperature range, please ensure that you receive and read the formal delivery specifications before use.

Inquiries about Products

[Inquiry](#)

For more information please contact: Sales or Products Information Center.
1-7, Yukigaya-otsukamachi, Ota-ku, Tokyo, Japan 145-8501
PHONE : +81 (3) 5499-8154