

KGS-MSTB 2,5/ 8 - Cable housing



1783779

<https://www.phoenixcontact.com/us/products/1783779>

Please be informed that the data shown in this PDF document is generated from our online catalog. Please find the complete data in the user documentation. Our general terms of use for downloads are valid.

Cable housing, color: green, product range: KGS-MSTB 2,5, width: 19.8 mm



Commercial data

Item number	1783779
Packing unit	10 pc
Minimum order quantity	10 pc
Sales key	AA08
Product key	AAHZDD
Catalog page	Page 349 (C-1-2013)
GTIN	4017918041960
Weight per piece (including packing)	15.15 g
Weight per piece (excluding packing)	14.42 g
Customs tariff number	39269097
Country of origin	PL

KGS-MSTB 2,5/ 8 - Cable housing

1783779

<https://www.phoenixcontact.com/us/products/1783779>

Technical data

Product properties

Product type	Cable housing
Product family	KGS-MSTB 2,5
Number of positions	8
Pitch	0 mm

Mounting

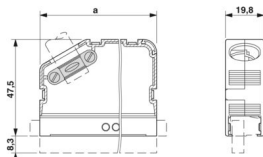
Cable clamp

Tightening torque	0.3 Nm
-------------------	--------

Material specifications

Flammability rating according to UL 94	HB
--	----

Dimensions

Dimensional drawing	
Width	19.8 mm
Height	55.8 mm
Pitch	0 mm

KGS-MSTB 2,5/ 8 - Cable housing

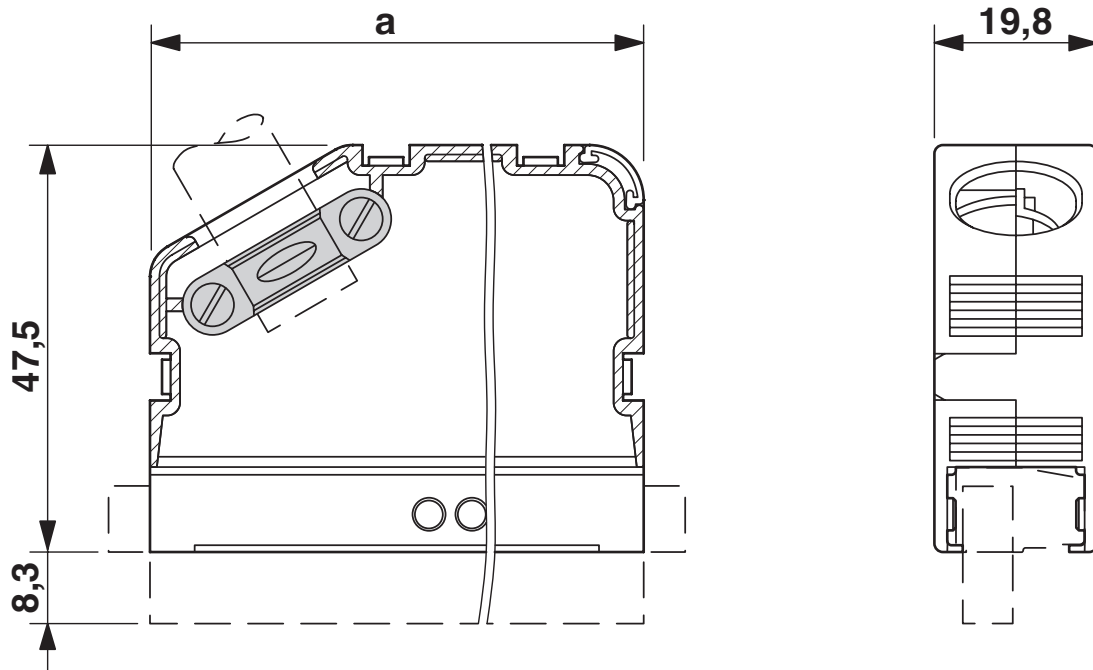
1783779

<https://www.phoenixcontact.com/us/products/1783779>



Drawings

Dimensional drawing



KGS-MSTB 2,5/ 8 - Cable housing



1783779

<https://www.phoenixcontact.com/us/products/1783779>

Classifications

ECLASS

ECLASS-11.0	27460402
ECLASS-12.0	27460402
ECLASS-13.0	27460402

ETIM

ETIM 9.0	EC002943
----------	----------

UNSPSC

UNSPSC 21.0	39121400
-------------	----------

KGS-MSTB 2,5/ 8 - Cable housing



1783779

<https://www.phoenixcontact.com/us/products/1783779>

Environmental product compliance

EU RoHS

Fulfills EU RoHS substance requirements	Yes, No exemptions
---	--------------------

China RoHS

Environment friendly use period (EFUP)	EFUP-E
	No hazardous substances above the limits

EU REACH SVHC

REACH candidate substance (CAS No.)	No substance above 0.1 wt%
-------------------------------------	----------------------------

KGS-MSTB 2,5/ 8 - Cable housing

1783779

<https://www.phoenixcontact.com/us/products/1783779>

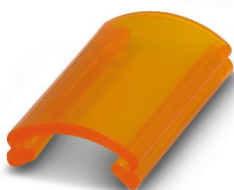


Accessories

KGS-MSTB 2,5/ DST - Cable housing

1784914

<https://www.phoenixcontact.com/us/products/1784914>



Transparent label carrier, can be marked with marker strips SBS 2.5/7.5

KD-KGS-MSTB - Accessories

1804658

<https://www.phoenixcontact.com/us/products/1804658>



Molded cable strain relief, suitable for KGS-... cable housings, prevents the cable from being bent

KGS-MSTB 2,5/ 8 - Cable housing

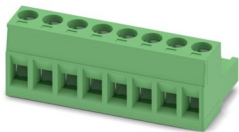
1783779

<https://www.phoenixcontact.com/us/products/1783779>

MSTB 2,5/ 8-ST - PCB connector

1754562

<https://www.phoenixcontact.com/us/products/1754562>

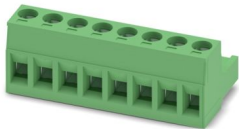


PCB connector, nominal cross section: 2.5 mm², color: green, nominal current: 12 A, rated voltage (III/2): 320 V, contact surface: Tin, contact connection type: Socket, number of potentials: 8, number of rows: 1, number of positions: 8, number of connections: 8, product range: MSTB 2,5/...-ST, pitch: 5 mm, connection method: Screw connection with tension sleeve, screw head form: L Slotted, conductor/PCB connection direction: 0 °, locking clip: - Locking clip, plug-in system: COMBICON MSTB 2,5, locking: without, mounting: without, type of packaging: packed in cardboard

MSTB 2,5/ 8-ST-5,08 - PCB connector

1757077

<https://www.phoenixcontact.com/us/products/1757077>



PCB connector, nominal cross section: 2.5 mm², color: green, nominal current: 12 A, rated voltage (III/2): 320 V, contact surface: Tin, contact connection type: Socket, number of potentials: 8, number of rows: 1, number of positions: 8, number of connections: 8, product range: MSTB 2,5/...-ST, pitch: 5.08 mm, connection method: Screw connection with tension sleeve, screw head form: L Slotted, conductor/PCB connection direction: 0 °, locking clip: - Locking clip, plug-in system: COMBICON MSTB 2,5, locking: without, mounting: without, type of packaging: packed in cardboard

KGS-MSTB 2,5/ 8 - Cable housing

1783779

<https://www.phoenixcontact.com/us/products/1783779>

MSTB 2,5/ 8-STF - PCB connector

1786899

<https://www.phoenixcontact.com/us/products/1786899>



PCB connector, nominal cross section: 2.5 mm², color: green, nominal current: 12 A, rated voltage (III/2): 320 V, contact surface: Tin, contact connection type: Socket, number of potentials: 8, number of rows: 1, number of positions: 8, number of connections: 8, product range: MSTB 2,5/...-STF, pitch: 5 mm, connection method: Screw connection with tension sleeve, screw head form: L Slotted, conductor/PCB connection direction: 0 °, locking clip: - without locking clip, plug-in system: COMBICON MSTB 2,5, locking: Screw locking mechanism, mounting: Screw flange, type of packaging: packed in cardboard

MSTB 2,5/ 8-STF-5,08 - PCB connector

1778043

<https://www.phoenixcontact.com/us/products/1778043>



PCB connector, nominal cross section: 2.5 mm², color: green, nominal current: 12 A, rated voltage (III/2): 320 V, contact surface: Tin, contact connection type: Socket, number of potentials: 8, number of rows: 1, number of positions: 8, number of connections: 8, product range: MSTB 2,5/...-STF, pitch: 5.08 mm, connection method: Screw connection with tension sleeve, screw head form: L Slotted, conductor/PCB connection direction: 0 °, locking clip: - without locking clip, plug-in system: COMBICON MSTB 2,5, locking: Screw locking mechanism, mounting: Screw flange, type of packaging: packed in cardboard

KGS-MSTB 2,5/ 8 - Cable housing

1783779

<https://www.phoenixcontact.com/us/products/1783779>

IC 2,5/ 8-ST-5,08 - PCB connector

1786239

<https://www.phoenixcontact.com/us/products/1786239>

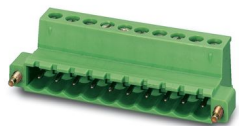


PCB connector, nominal cross section: 2.5 mm², color: green, nominal current: 12 A, rated voltage (III/2): 320 V, contact surface: Tin, contact connection type: Pin, number of potentials: 8, number of rows: 1, number of positions: 8, number of connections: 8, product range: IC 2,5/...-ST, pitch: 5.08 mm, connection method: Screw connection with tension sleeve, screw head form: L Slotted, conductor/PCB connection direction: 0 °, locking clip: - without locking clip, plug-in system: COMBICON MSTB 2,5, locking: without, mounting: without, type of packaging: packed in cardboard

IC 2,5/ 8-STF-5,08 - PCB connector

1825378

<https://www.phoenixcontact.com/us/products/1825378>



PCB connector, nominal cross section: 2.5 mm², color: green, nominal current: 12 A, rated voltage (III/2): 320 V, contact surface: Tin, contact connection type: Pin, number of potentials: 8, number of rows: 1, number of positions: 8, number of connections: 8, product range: IC 2,5/...-STF, pitch: 5.08 mm, connection method: Screw connection with tension sleeve, screw head form: L Slotted, conductor/PCB connection direction: 0 °, locking clip: - without locking clip, plug-in system: COMBICON MSTB 2,5, locking: Screw locking mechanism, mounting: Screw flange, type of packaging: packed in cardboard

Phoenix Contact 2024 © - all rights reserved
<https://www.phoenixcontact.com>

Phoenix Contact USA
586 Fulling Mill Road
Middletown, PA 17057, United States
(+717) 944-1300
info@phoenixcon.com