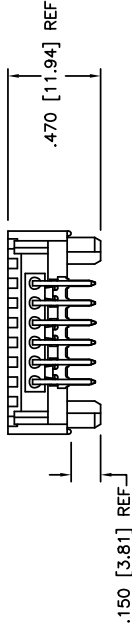
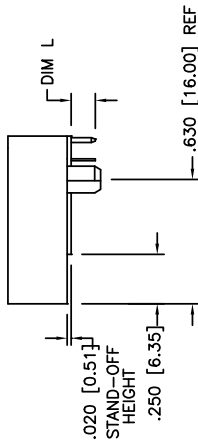
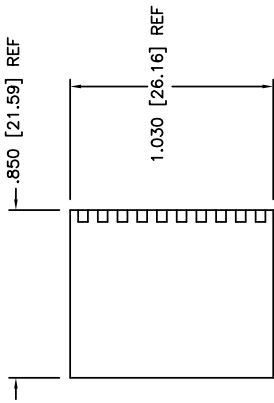


PRODUCT NUMBER
SEE TABLE



mat'l. code	surface	tolerance	projection	product family
	ISO 1302	ISO 406	1st angle	LATCH-N-LOK
		ISO 1101	tolerances unless otherwise specified	
trn ecn n°dr	date	lines	INCH/MM	title
J BX-N-008454	ZK 11/29/11	XXXI/0.010.3	scale 1:1	1X6 LNL RIGHT ANGLE HEADER ASSEMBLY
		XXXII/0.005/0.0010.13		sheet 1 of 2
D M04-0230	MHT 12/18/04	XXXIII/0.001/0.00030.05		78304
E M05-0052	ERE 03/19/05	J. LINN 7/17/90		Product Customer Drawing
F M06-0285	AGS 7/28/06	engr D. HORCHLER 7/17/90		
G M06-0365	AGS 9/20/06	chr D. HORCHLER 7/17/90		
H M09-0048	MHT 3/12/09	appr D. HORCHLER 7/17/90		
sheet revision	J			
index	Sheet 1	2		



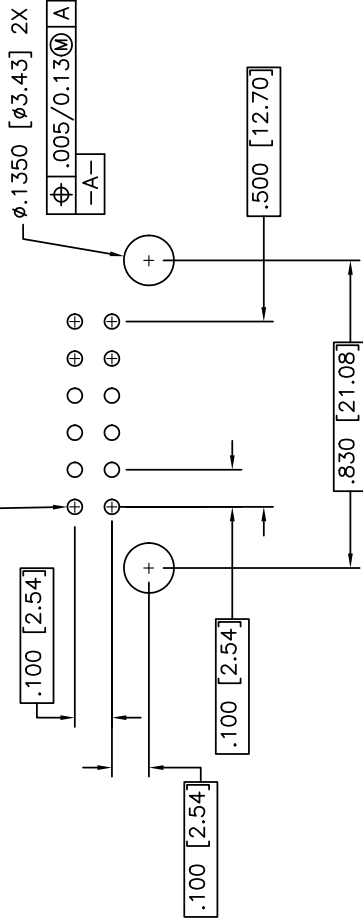
78304-XXXXLF

LEAD FREE OPTION ⑦

COLOR ④	
1	70343 LT-GRAY
2	80166 OFF WHITE
3	70634 DK GRAY
4	701 BLACK
5	70541 SLATE GRAY
7	70455 SILVER GRAY
8	80189 PEARL-WHITE
9	70419 PEBBLE GRAY

PLATING ③	
0	30u" MIN OVER 50u" MIN Ni
3	30u" MIN OVER 50u" MIN Ni
5	50u" MIN OVER 50u" MIN Ni

PIN LENGTH	
DIM	L
0	.150/3.18
1	.110/2.79



RECOMMENDED PCB LAYOUT

NOTES:

1. HEADER SHROUD MATERIAL: HIGH TEMPERATURE THERMOPLASTIC, UL-94-0 RATED.
2. GROUND CONTACT MATERIAL: COPPER ALLOY PLATING: 100-160u"/2.54-4.06 TIN.
3. SIGNAL CONTACT MATERIAL: COPPER ALLOY PLATING: PERFORMANCE PLATING WILL BE EITHER GOLD OR GXT ON CONTACT AREA OR TAIL, OPTIONALLY (78-295u") TIN ON TAIL. NUMBERS SHOWN ARE FOR G.E. LEXAN AND ARE FOR REFERENCE ONLY
5. THIS ASSEMBLY U.L. APPROVED PER FILE E66906 VOL. 1, SEC. 84 AND CSA APPROVED PER MASTER FILE LR 46923.
6. ADD LF SUFFIX AT THE END OF PART NUMBER FOR LEAD FREE OPTION. THE HOUSING WILL WITHSTAND EXPOSURE TO 260°C PEAK TEMPERATURE FOR 15 SECONDS IN A WAVE SOLDER APPLICATION WITH A 1.5mm MINIMUM THICK CIRCUIT BOARD. SEE APPLICATION NOTES/PROCEDURES IF THEY ARE AVAILABLE.
8. THIS PRODUCT MEETS EUROPEAN UNION DIRECTIVES AND OTHER COUNTRY REGULATION AS DESCRIBED IN GS-22-008.
9. PRODUCT SPEC: GS-12-003

mat'l. code		surface / tolerance		projection		product family	
tr	ec	n	d	date	ISO 406 / ISO 1101	ISO 1101	ISO 1101
J					tolerances unless otherwise specified	angles	LINEAR
					0°±2'	dr	J. LINN 7/17/90
						en	D. HORCHLER 7/17/90
						chr	D. HORCHLER 7/17/90
						app	D. HORCHLER 7/17/90
						sheet index	revision
						sheet	
						index	