



ETA-USA

The Power Professionals

AOJS25

25W AC/DC



Features

- Inrush Current Limit
- Wide Input voltage range
- Universal input voltage or user selectable voltage
- Over voltage protection
- Overcurrent protection
- **3 Yr warranty**



MODEL/CHANNEL		Unit	AOJS25-3.3	AOJS25-5	AOJS25-9	AOJS25-12	AOJS25-15	AOJS25-24	AOJS25-48
OUTPUT	Nominal Voltage	V	3.3	5	9	12	15	24	48
	Current	A	6	5	2.8	2.1	1.7	1.1	0.57
	Rated Power	W	20	25	25	25	26	26	27
	Line Regulations	mV	17	25	45	60	75	120	240
	Load Regulations	mV	66	75	50	60	75	120	240
	Temperature Drift 0-50°C	mV	50	75	135	180	225	360	720
	Ripple & Noise(pk-pk)	mV	80	80	120	120	120	120	220
	Ripple	mV	50	50	100	100	100	100	180
	Turn-on Time typ.	ms	1500 max(AC IN 100V, Io=100%)						
Hold-up Time typ.	ms	14(AC IN 100V, Io 100%)							
INPUT	Voltage, Frequency	V	AC100-240V (AC88~264VAC), 50/60Hz(47-440) or DC240-370V (User selectable)						
	Current Typ. 110V	A	0.45	0.7					
	220V		0.3	0.4					
	Efficiency Typ. 110V	%	74	79	81	82	82	84	85
	220V								
Inrush Current Typ.	A	15A(AC IN 110V, LO=100%, 30°C TYP) 30A(AC IN 220V, LO-100%, Cold Start)							
Function	Over Current Protection(*2)	A	Short Protection						
	Remote Sensing	-	Available						
	Remote ON.OFF	-	Available						
	Cooling / O.T.P	-	Convection cooling						
Electrical Isolation	(1) Input - Output	-	AC 3 KV 1min., cut-off: 20mA / DC 500V 100 MO						
	(2) Input - F.G	-	AC 1.5 KV 1min., cut-off: 20mA / DC 500V 100 MO						
	(3) Output - F.G	-	AC 0.5 KV 1min., cut-off: 100mA / DC 500V 100 MO						
Environment	Operating temp. & Humidity	-	-25 ~+70°C with derating. 20~90% RH (NON condensing)						
	Storage temp. & Humidity	-	-20~75°C. 20~90% RH (NON condensing)						
	Vibration	-	10~55Hz @ 1G 3 minutes PERIOD, 30 minutes along X, Y & Z axis						
Dimension	Size(WxLxH) / Weight	mm/g	79x51x28.5/200						
Safety	CB, CE, RU	-	Approved						
Emission	Conducted Emission	-	Complies with EN55022-B, FCC-B, EN 55011						



ETA-USA

16170 Vineyard Blvd. Suite 180 Morgan Hill, CA 95037 <http://www.eta-usa.com>

Toll-free (US only): 800-ETA-POWR (800-382-7697) Telephone: 408 778-2793 FAX: 408-779-2753

©2014 ETA-USA All Rights Reserved

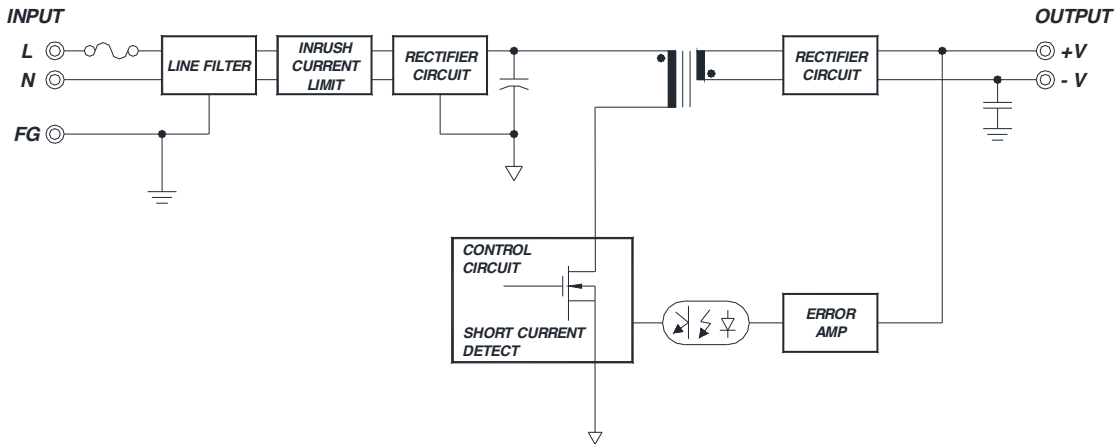
ETA-USA reserves the right to make changes to the products and specifications without prior notice. Please contact the factory for latest information.



ETA-USA

The Power Professionals

Block Diagram



Terminal Connection

Mark	Pin Connection	Function
L	AC L	SMPS AC Terminal (Fuse in Line)
N	AC N	SMPS AC Terminal
F.G	Frame ground	SMPS DC, CASE
+V	DC Output (+)	SMPS DC (+) Terminal
-V	DC Output (-)	SMPS DC (-) Terminal



ETA-USA

16170 Vineyard Blvd. Suite 180 Morgan Hill, CA 95037 <http://www.eta-usa.com>
Toll-free (US only): 800-ETA-POWR (800-382-7697) Telephone: 408 778-2793 FAX: 408-779-2753

©2014 ETA-USA All Rights Reserved

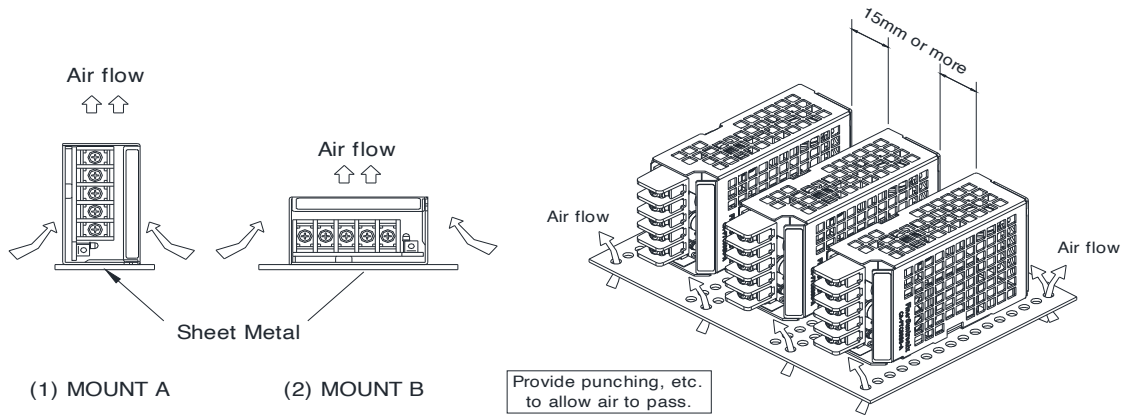
ETA-USA reserves the right to make changes to the products and specifications without prior notice. Please contact the factory for latest information.



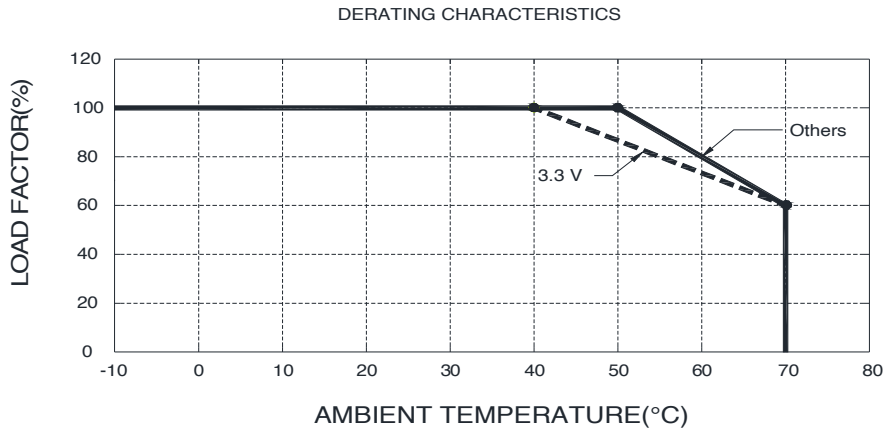
ETA-USA

The Power Professionals

Dimensional Diagram



Derating Curve



ETA-USA

16170 Vineyard Blvd. Suite 180 Morgan Hill, CA 95037 <http://www.eta-usa.com>
Toll-free (US only): 800-ETA-POWR (800-382-7697) Telephone: 408 778-2793 FAX: 408-779-2753

©2014 ETA-USA All Rights Reserved

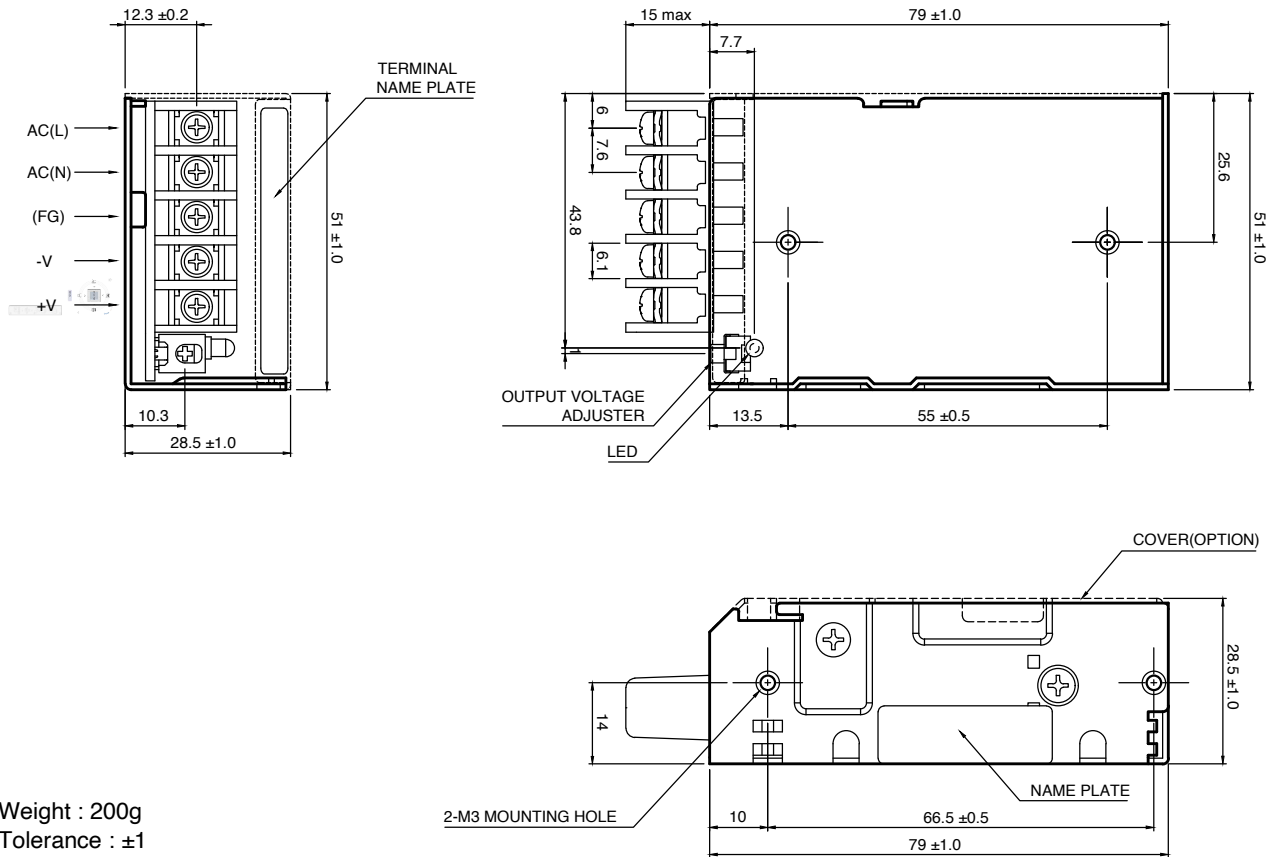
ETA-USA reserves the right to make changes to the products and specifications without prior notice. Please contact the factory for latest information.



ETA-USA

The Power Professionals

Dimensional Diagram



- * Weight : 200g
- * Tolerance : ± 1
- * Dimensions in mm



ETA-USA

16170 Vineyard Blvd. Suite 180 Morgan Hill, CA 95037 <http://www.eta-usa.com>
Toll-free (US only): 800-ETA-POWR (800-382-7697) Telephone: 408 778-2793 FAX: 408-779-2753

©2014 ETA-USA All Rights Reserved

ETA-USA reserves the right to make changes to the products and specifications without prior notice. Please contact the factory for latest information.

Mouser Electronics

Authorized Distributor

Click to View Pricing, Inventory, Delivery & Lifecycle Information:

[ETA-USA:](#)

[AOJS25-12](#) [AOJS25-15](#) [AOJS25-24](#) [AOJS25-3.3](#) [AOJS25-48](#) [AOJS25-5](#) [AOJS25-9](#)