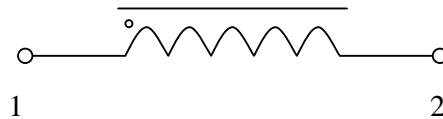


Inductor Specification

DWG no.: TIC-INDC-026(1.00)

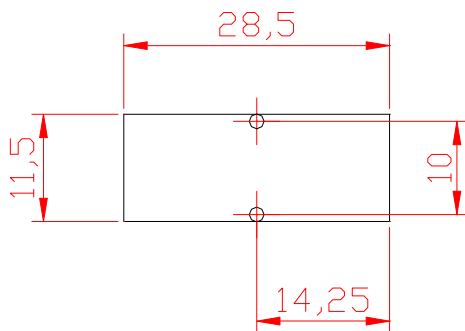
Text: 7 μ H / 5A / 30m Ω

Diagram:

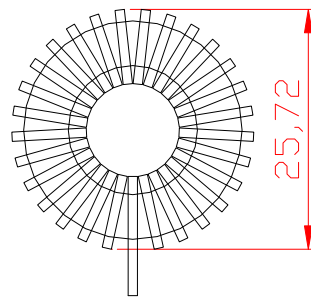


Material: Core: Micrometals T94-2
Wire: ϕ 1.00mm Cu, one layer lacquer, 155°C

Foot-print top view



Mechanical:



Lead length: 8mm-12mm, stripped and pre-tinned.

Production: Step 1: N1, 29 turns ϕ 1.00mm cu 2L, start 1, end 2
Step 2: bend and strip/pre-tin leads.

Test: Inductance: pin 1 -2 6 - 8 μ H @ 0.1Vrms/10kHz

Release date: 28.April 2008, Jonas Holm