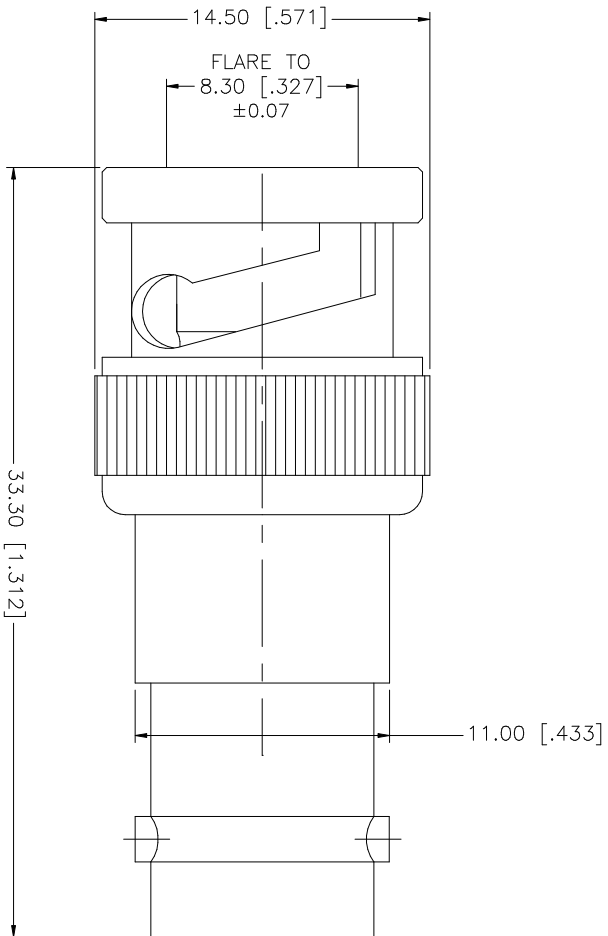


| REV. | DATE | DESCRIPTION |
|------|----------|-----------------------|
| NC | 08/07/01 | INITIAL RELEASE |
| A | 09/20/05 | UPDATE DRAWING FORMAT |



| QTY | FINISH | MATERIAL | DESCRIPTION |
|-----|---------|--------------|-------------|
| 1 | GOLD | PHOS. BRONZE | CONTACT PIN |
| 1 | NATURAL | TEFLON | INSULATOR |
| 1 | NICKEL | BRASS | BODY |

| UNLESS OTHERWISE SPECIFIED DIMENSIONS ARE IN MILLIMETERS DIMENSIONS IN INCHES ARE FOR CUSTOMER REFERENCE ONLY. | UNLESS OTHERWISE SPECIFIED DIMENSIONS ARE IN INCHES DIMENSIONS IN MILLIMETERS ARE FOR CUSTOMER REFERENCE ONLY. |
|--|--|
| TOLERANCES FOR ALL DIMENSIONS ARE: | TOLERANCES FOR ALL DIMENSIONS ARE: |
| 0.3 - 8mm ± 0.20mm | .020 - .315 = ± 0.007" |
| 8 - 30mm ± 0.40mm | .315 - 1.180 = ± 0.015" |
| 30 - 120mm ± 0.50mm | 1.180 - 4.724 = ± 0.020" |

| APPROVALS | DATE |
|--------------|----------|
| DRAWN G.R.S. | 09/20/05 |
| CHECKED | |
| ISSUED | |
| SHEET 1 OF 1 | |

| PART DESCRIPTION | PART NO. | DWG. NO. | REV. | SIZE | SCALE |
|----------------------------------|----------|------------|------|------|-------|
| Amphenol Connex | 112667 | 112667.DWG | A | A | NA |
| BNC PLUG TO JACK ADAPTER - 50ohm | | | | | |