

Custom Capabilities

Test Accessories

Plugs, Jacks, Posts

Connectors

Hardware

Si

Home

About Abbatron

Products

Locate Distributor  
or Representative

Contact Us

Request Information

Site Map

Inventory Search

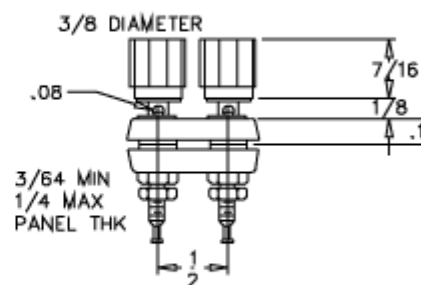
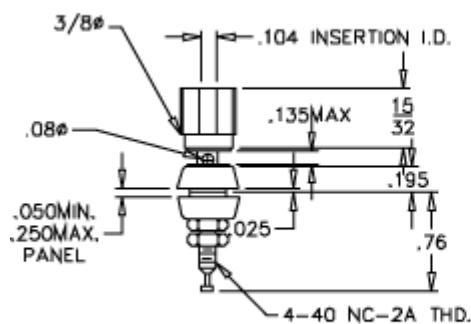
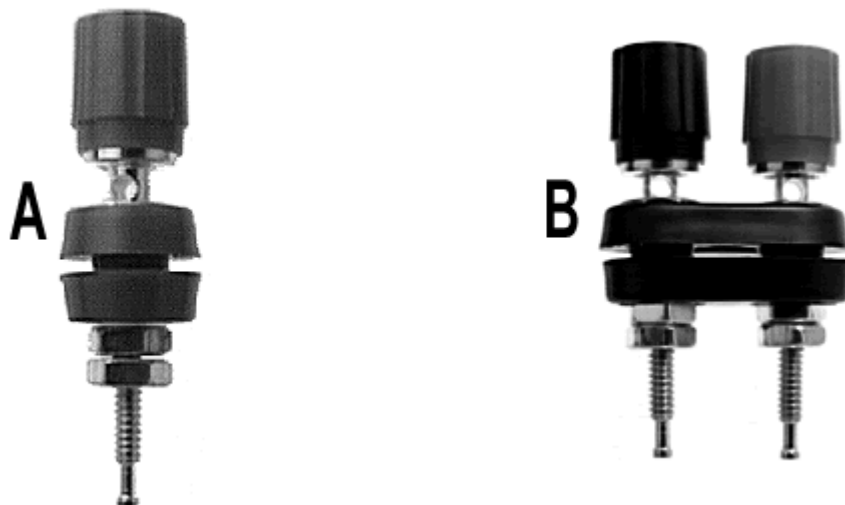
Cross Reference

UPS Tracking

632 Arch Street, POB 726  
Meadville, PA 16335 USA  
814-724-6440  
Contact Webmaster  
© 2006

## Miniature Binding Post

- Fluted post head is molded Lexan Polycarbonate with a gold plated brass insert
  - The body is nickel plated brass
  - Washers are molded nylon with a gold plated brass insert
  - Mounts in panel hole as indicated in table
  - Connect with .080" phone tip plug, spade lug, miniature banana plug, alligator wire(to #18)
  - To connect circuit, wrap wire around solder turret to attach to solder lug bearing (Lug not supplied)
  - Please refer to Table A(pg 26) for post rating information
  - Posts shown here are available in standard red(-102) and black(-103) Other colors available from factory. Please add color to part number as suffix
- [More information about binding posts](#)



PART NO.	FIG.	MNTG HOLE	POST THREAD
3015	A	1/4	4-40
3016BB	B		
3016RB			
3016RR			

[home](#) | [about abbatron](#) | [products](#) | [locate distributor or representative](#) | [contact us](#) | [request information](#) | [site map](#)