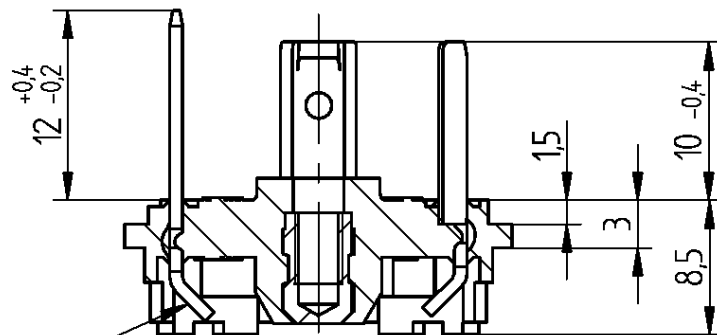
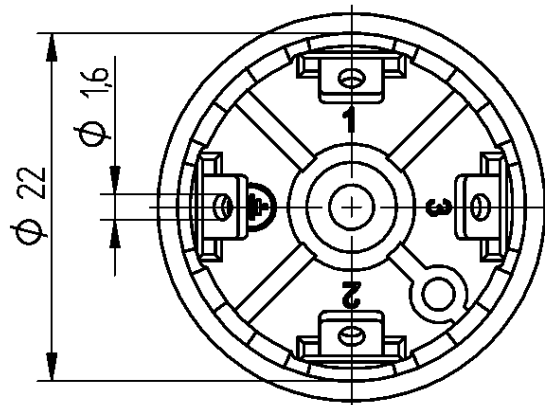
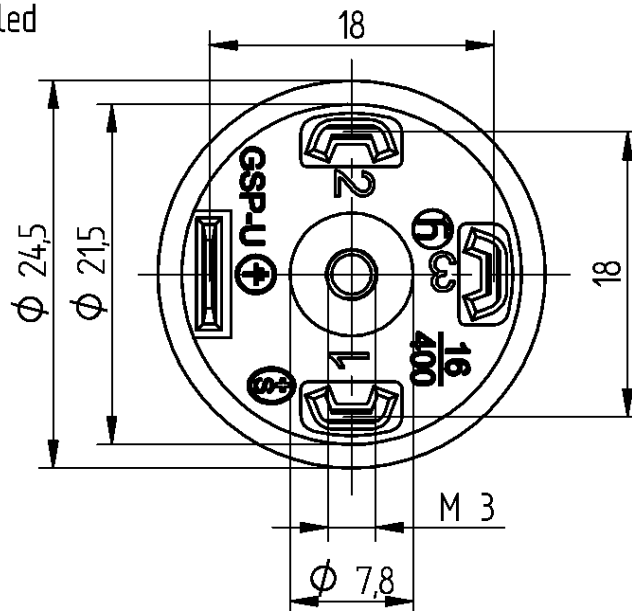


RoHS ✓



Lötfahnen abgewinkelt
Soldering lug angled



The information/details in this datasheet merely contain general descriptions or performance factors which, when applied in an actual situation, do not always correspond with the described form, and may be amended by way of the further development of products. The desired performance factors shall only be binding if these are expressly agreed on conclusion of the contract.



Product description

Description	appliance plug
Type	GSP-U 3000 LO ..
Order No	832-954-..., see standard products
Number of contacts	3 + PE
Conductor size	max. 1,5 mm ²
Standard	DIN EN 175301-803
Construction type	A

Technical data

Rated voltage	400V AC/DC
Rated current *	16 A ; notice derating
Rated impulse voltage	6,0 kV
Pollution degree	3
Type of connection	solder

Materials

Contact	CuZn
Contact plating	see standard products
Contact bearer	PA 66 GF

Environmental conditions

Protection class (IEC 60529) *	IP65 *
Temperature range (connector)	-40°C to +125°C, notice derating

* unplugged and plugged. Plugged only if mounted and locked and in combination with Hirschmann connector

Flammability class

Contact bearer	UL 94 V-0
----------------	-----------

Packaging

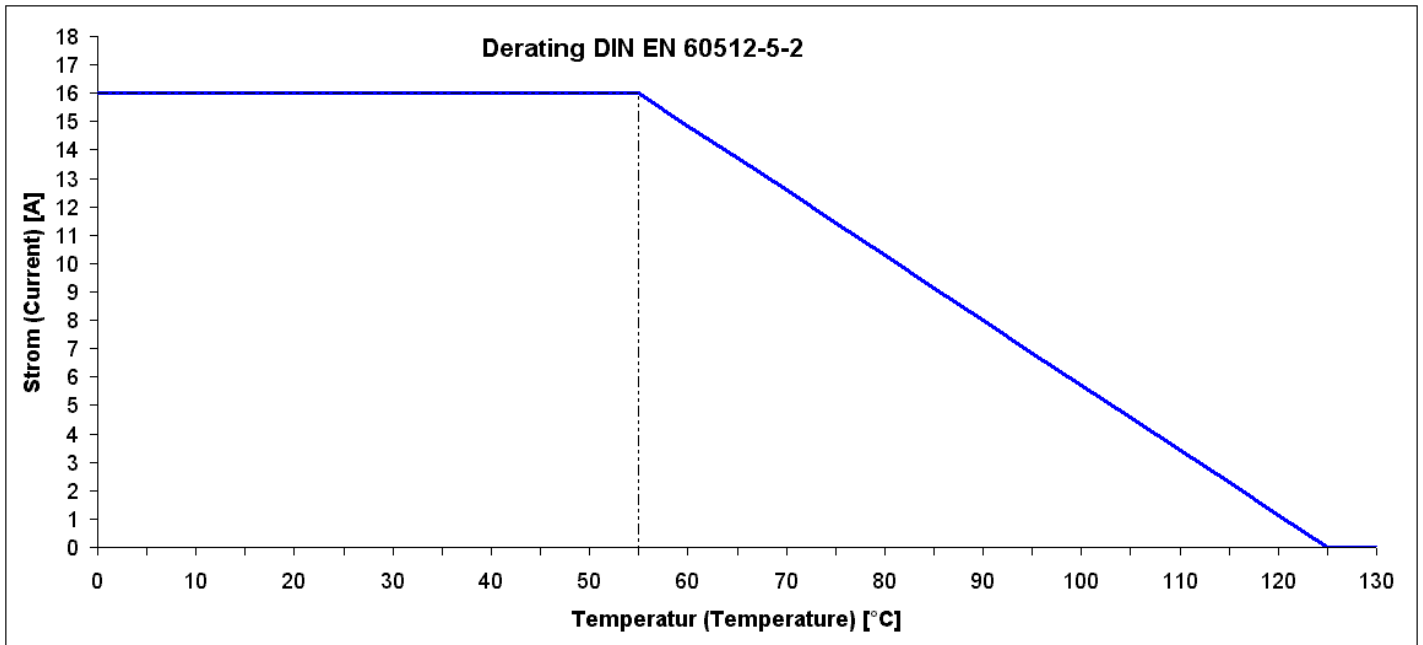
Packaging unit	see standard products
----------------	-----------------------

Accessories

Mating connectors / fitting to	cable socket series: GDM..., GDML..., GDME...
--------------------------------	---

Cutline

Do not connect or disconnect under load.



Standard products

Artikel-No.	Type	Contact plating	Packaging unit
832-954-200	GSP-U 3000 LO SN	Cu/Sn	1000
832-954-400	GSP-U 3000 LO AU	Cu/Au	1000