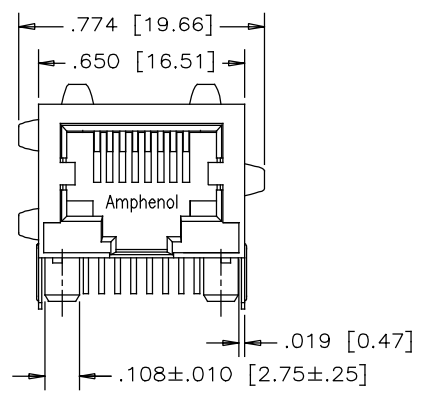
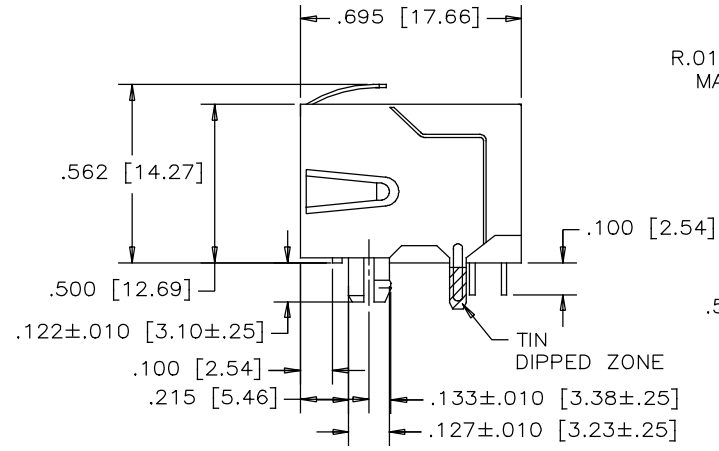


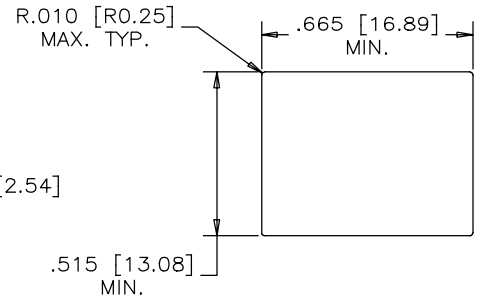
REVISIONS			
REV	DESCRIPTION, ECN, EAR NO.	DATE	APP'D
A	PROPOSAL	APR 07/13	L.CHAN
B	ADD DIMENSION ABOUT HOUSING PEGS	MAR 02/17	L.CHAN



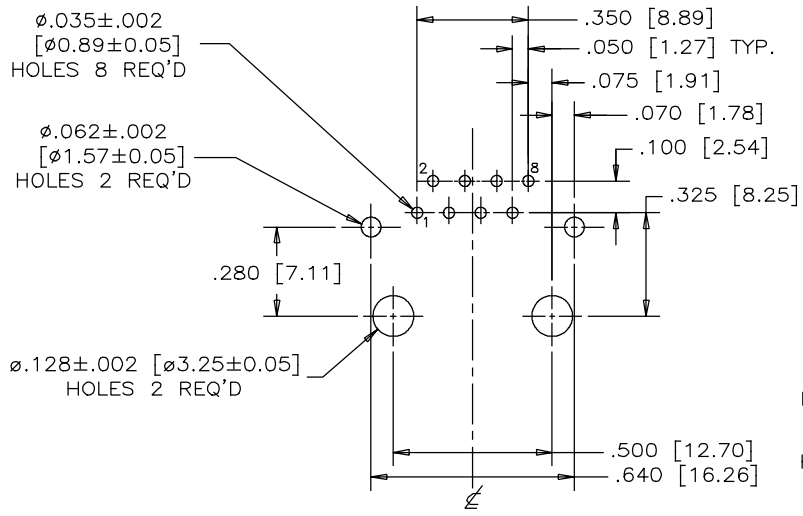
FRONT VIEW



SIDE VIEW



RECOMMENDED PANEL CUTOUT



RECOMMENDED P.C.B. LAYOUT
(COMPONENT SIDE OF BOARD)

LOCATE HOLES
 $\phi .005 [0.13]$
 HOLE DIMENSIONS ARE BASIC

MATERIALS:

- CONTACTS:** PHOSPHOR BRONZE, SELECTIVELY PLATED WITH 50 MICRO" GOLD ON MATING AREAS. 50 MICRO" MIN. NICKEL OVERALL. 100 MICRO" MIN. MATTE TIN OR GOLD FLASH ON TAILS.
- HOUSING:** HIGH TEMPERATURE THERMOPLASTIC
 COLOR: BLACK.
 FLAMMABILITY RATING UL 94V-0
- SHIELD:** COPPER ALLOY
- PLATING:** NICKEL WITH TIN DIPPED PCB TAILS.

RECOMMENDED SOLDERING TEMPERATURE:

WAVE SOLDERING AT 260°C MAX. FOR 5 SEC MAX.

PART NO.: RJSBE-5380-C1

UNLESS SPECIFIED OTHERWISE	DRAWN	G.HSIA	APR 07/13
PRIMARY UNITS INCHES	CHECKED	L.CHAN	APR 07/13
SECONDARY MILLIMETERS	M.E. APP'D		
REFERENCE IN PARENTHESES	Q.A. APP'D		
	DWG APP'D		
	ENG. REL. NO.		
1 DECIMAL PLACE	REF.		
2 DECIMAL PLACES			
3 DECIMAL PLACES ±0.015			
ANGULAR DEGREES ±1.5'			
	THIRD ANGLE PROJECTION		
	DO NOT SCALE DRAWING		

Amphenol Canada Corp. www.amphenolcanada.com	
TITLE RJ45 MODULAR JACK 8 POSITION, 8 CONTACTS, SHIELDED - RoHS COMPLIANT	
DWG NO. P-RJSBE-5380-C1	REV B
CODE ID NO. 03554	DWG SIZE
SCALE	SHEET 1 OF 1