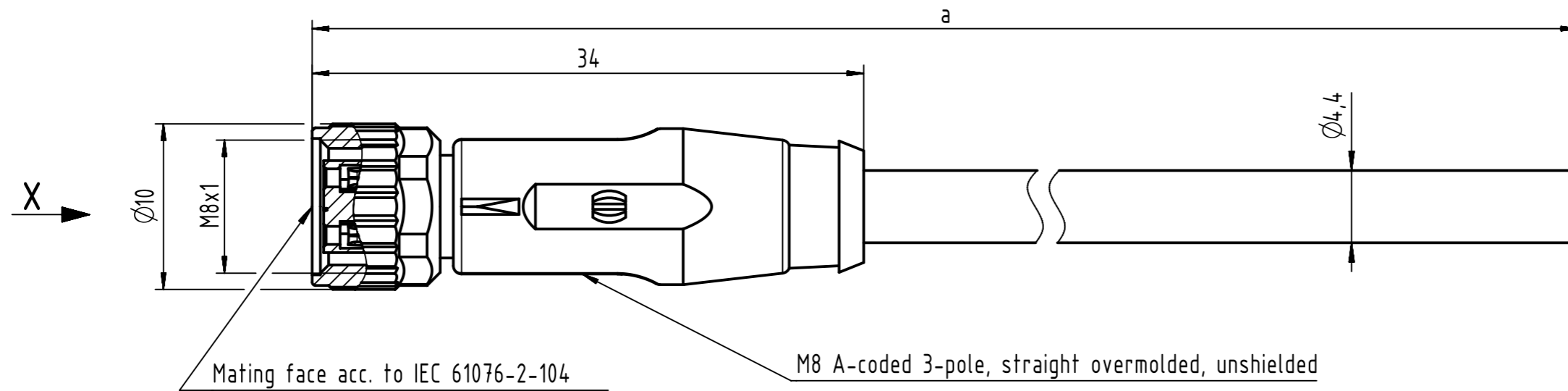
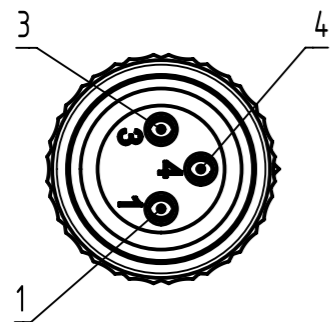


Connector Location A

Connector Location B



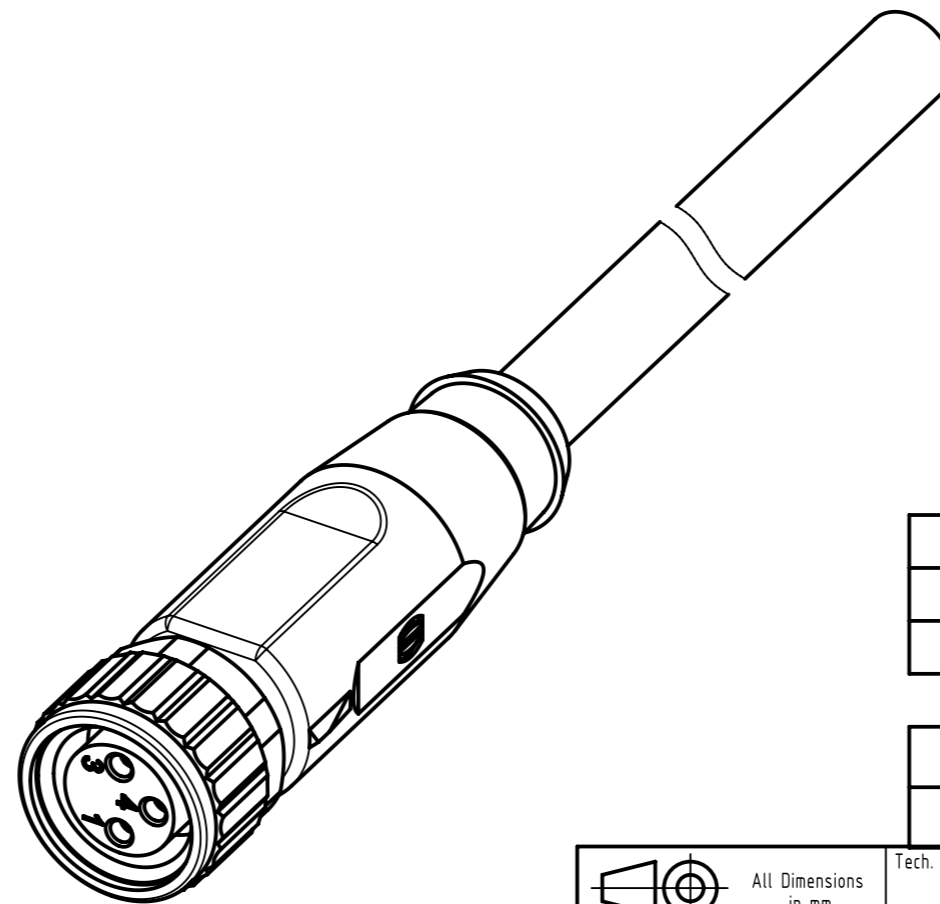
X female



Loading-Plan

- 1 brown
- 3 blue
- 4 black

- Protection level: IP67
- Temperature range: -25°C ... +80°C



4.0 to 40	±1%
0.1 to 3.9	+0.04
<b>a [m]</b>	<b>Tolerance</b>

length in "1m" step	40	XXX=400
	39	XXX=390
	.	.
	12	XXX=120
length in "0.1m" step	11	XXX=110
	10	XXX=100
	9.9	XXX=099
	9.8	XXX=098
	.	.
	0.4	XXX=004
	0.3	XXX=003
	0.2	XXX=002
	0.1	XXX=001
<b>Step</b>	<b>a [m]</b>	<b>XXX</b>

PUR black, 3x0.25mm <sup>2</sup>	21348100388XXX
<b>Type of cable</b>	<b>Part no.</b>

	All rights reserved		Tech. Character.		Free size tol.		According to production drawing		
	Department HCS - RO		Created by STOCHECIC Stocheici	Inspected by COSTEA Costea	Standardisation MUNTEANV Muntean	Date 2018-12-17	State Final Release		
HARTING Customised Solutions D-32339 Espelkamp		Title M8 Cable Assembly 3-poles st/- f/-				Doc-Key / ECM-Nr. 100809595/UGD/009/A 500000144934		Rev. A	Page 1/1
		Type TB	Number 21348100388XXX						

# Mouser Electronics

Authorized Distributor

Click to View Pricing, Inventory, Delivery & Lifecycle Information:

## HARTING:

[21348100388020](#) [21348100388005](#) [21348100388100](#) [21348100388015](#) [21348100388075](#) [21348100388010](#)  
[21348100388050](#) [21348100388060](#) [21348100388040](#)