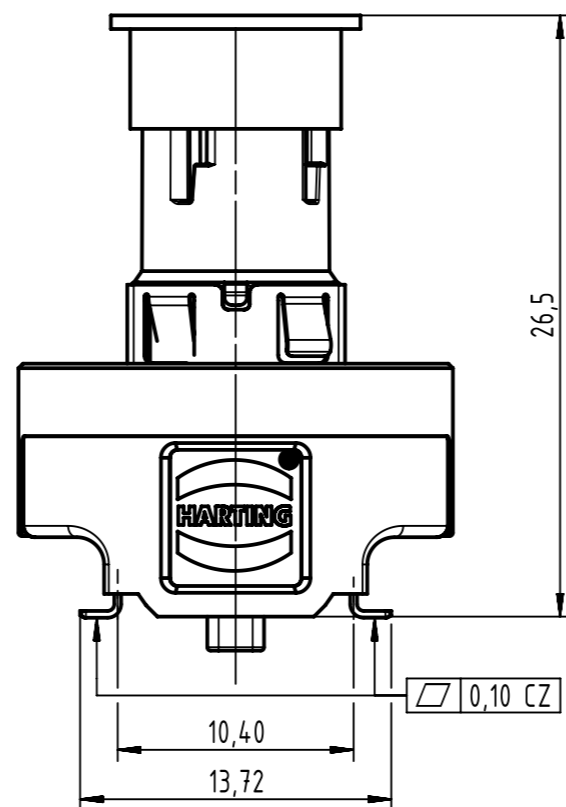
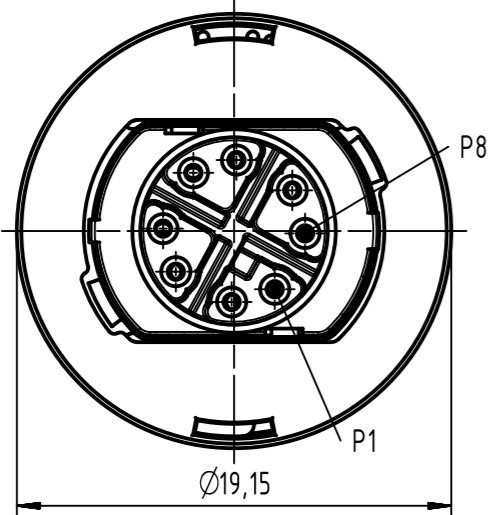
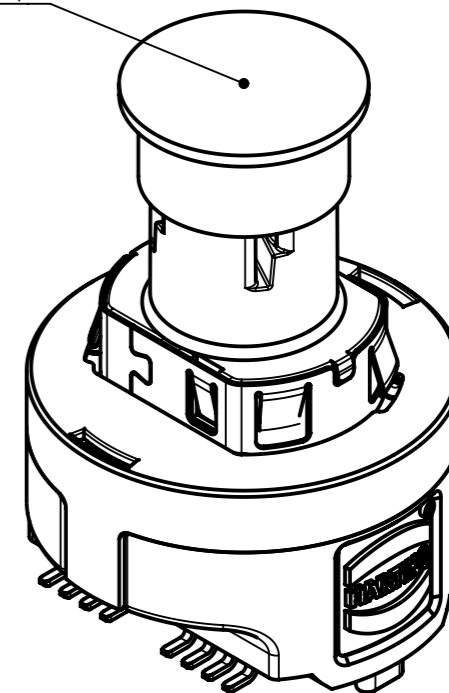


mating face based on
IEC 61076-2-109



Pick & place cap



Further information see data sheet: 21033810102

	All rights reserved Department EL PD HARTING Electronics GmbH D-32339 Espelkamp	All Dimensions in mm Original Size DIN A3	Scale 2:1	Free size tol. ISO 2768-mK	Ref. Sub.
		Created by CHENSK	Inspected by CHENSK	Standardisation HOFFMANN	Date 2019-05-30
Title M12 transformer recept X-coded 1G straight PoE+		Type TB		Number 21033812817	
Doc-Key / ECM-Nr. 100693027/UGD/002/C 500000152702					Rev. C
Page 1/1					