

OVERALL ASSEMBLY DIMENSIONS:

EXTERNAL - 150 x 80 x 76

INTERNAL - 146.4 x 76.4 x 72.4

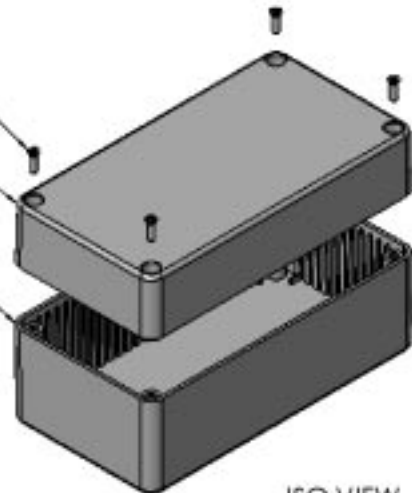


SECTION B-B

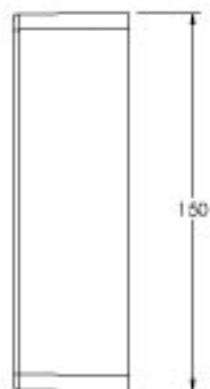
M3 CSK SCREW

LID

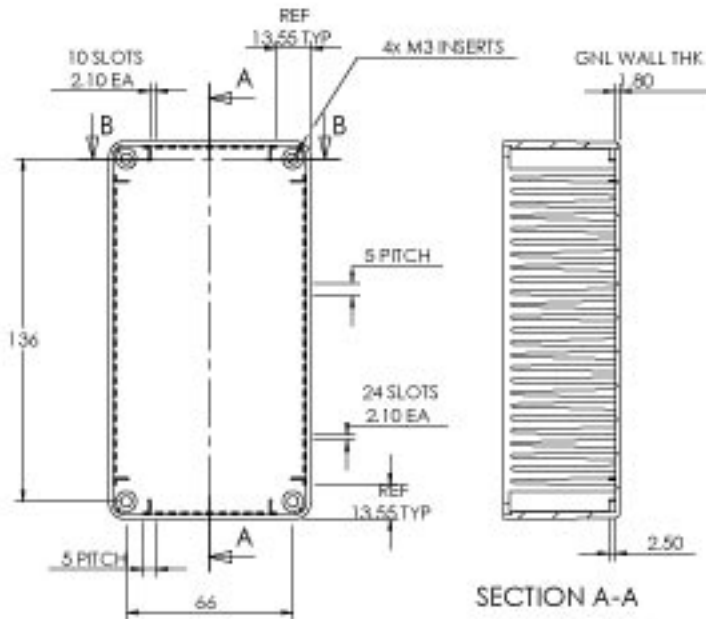
BASE



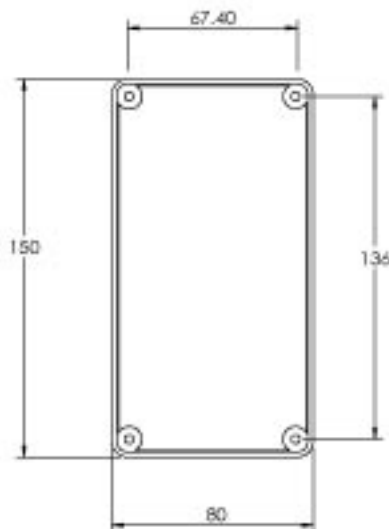
ISO VIEW



BASE



SECTION A-A



LID



				UNLESS OTHERWISE SPECIFIED: DIMENSIONS ARE IN MILLIMETERS	DO NOT SCALE DRAWING	REVISION: 0
				FINISH SMOOTH	TITLE: ASSEMBLY DRG FOR 2005,25	
	NAME	SIGNED	DATE	MATERIAL ABS	DWG. NO. 2005,25	A4
DRAWN	SJHARDINGE	SJH	05/10/05	PROJECTION	SCALE 1:3	SHEET 1 OF 1
CHECKED	-	-	-			