

NOTES:

1. MATERIALS AND FINISHES:

- FERRULE - BRASS, NICKEL PLATING
- CONTACT PIN - BRASS, GOLD PLATING
- SPRING - BERYLLIUM COPPER, NICKEL PLATING
- GASKET - SILICONE RUBBER, RED
- BODY - BRASS, NICKEL PLATING
- INSULATOR - PTFE, NATURAL

2. ELECTRICAL:

- A. IMPEDANCE: 50 OHM, NOMINAL
- B. FREQUENCY RANGE: 0-4 GHz
- C. D.W.V: 300 VRMS, MIN.

3. MECHANICAL:

- A. DURABILITY: 500 CYCLES MIN.
- B. TEMPERATURE RANGE: -65°C TO +165°C

4. CRIMPED FERRULE HEX CRIMP SIZE .429"

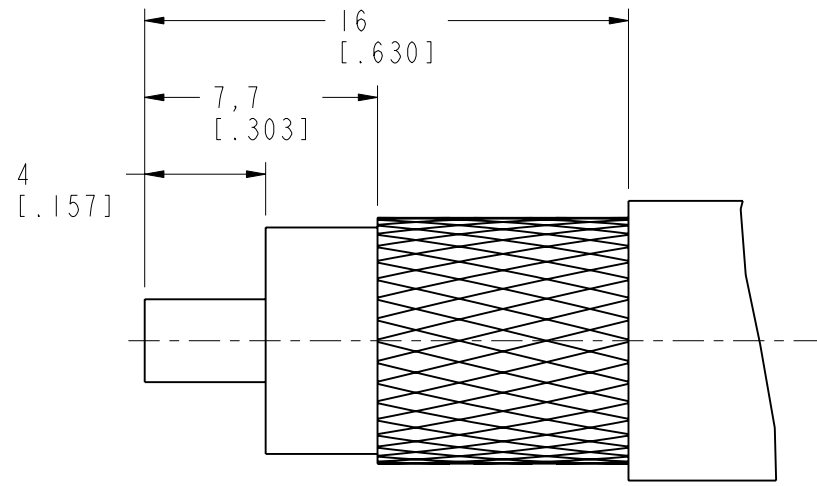
5. CRIMPED CONTACT PIN HEX CRIMP SIZE .118" FOR ULTRAFLEX CABLE ONLY.

 SHOWS CABLE ENTRY DIMENSIONS.

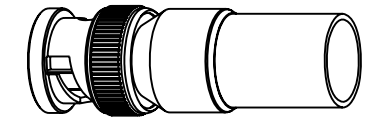
THIRD ANGLE PROJ. 

REVISIONS

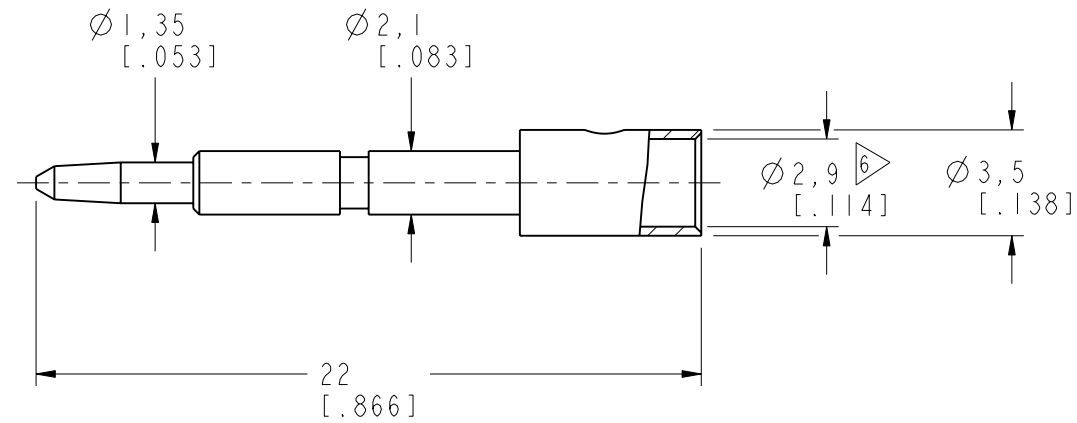
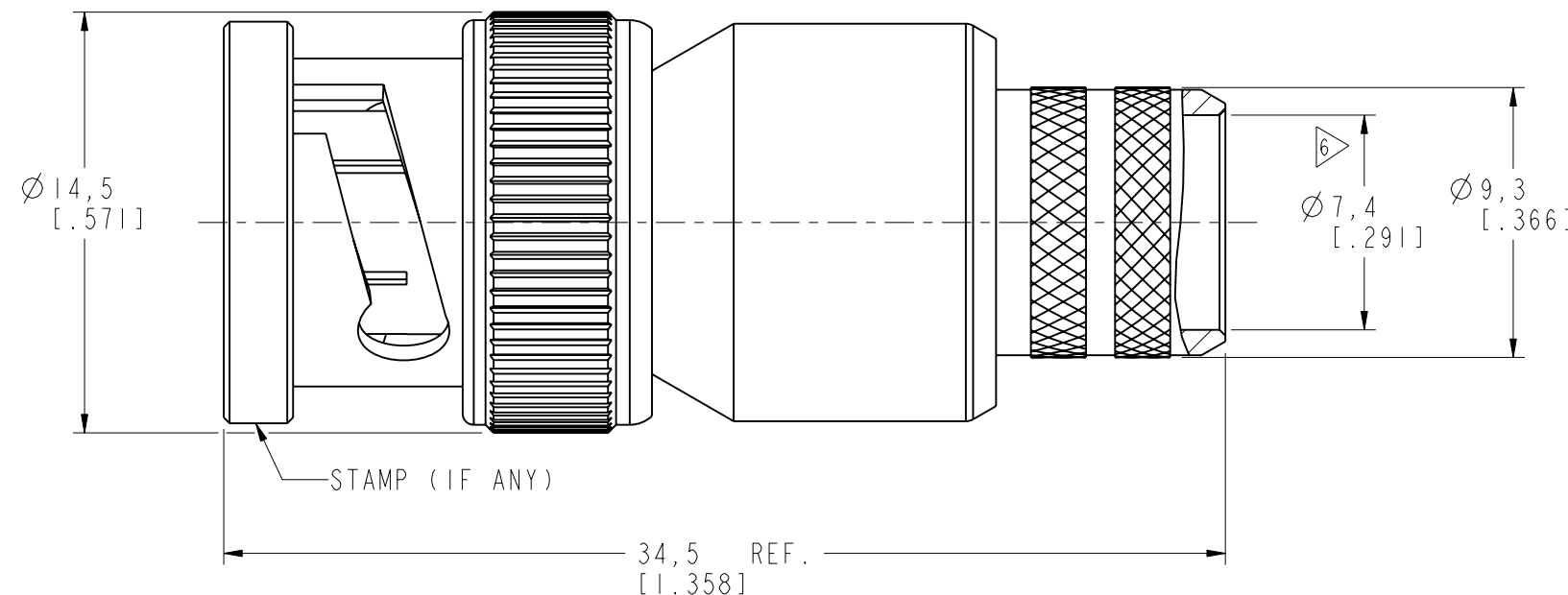
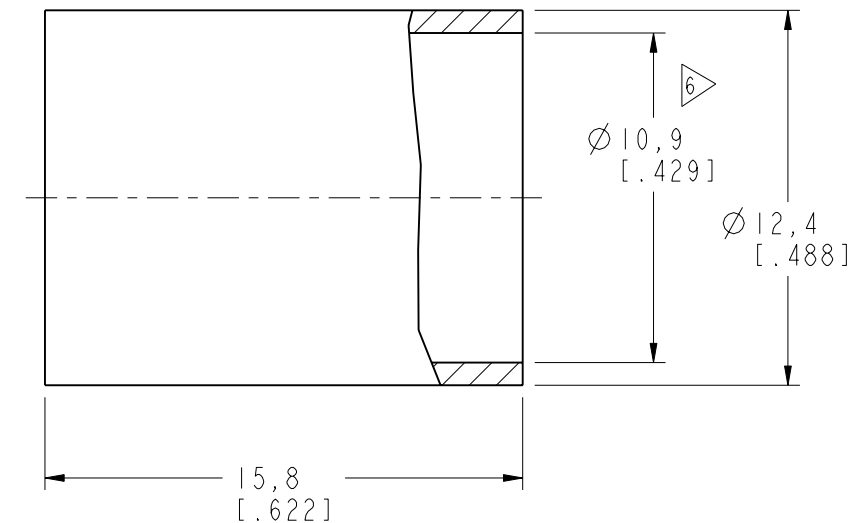
| REV | DESCRIPTION   | DATE      | ECO   | APPR |
|-----|---|-----------|-------|------|
| A   | UPDATED DRAWING FORMAT                                  | 01-May-04 | ----- | GRS  |
| B   | REVISE CRIMP NOTE 5 TO .118" HEX CRIMP                  | 06-Nov-06 | ----- | GRS  |
| C   | SYNC, UPDATED SPRING MATERIAL TO BeCu<br>RD-DMI6061301M | 17-Jun-16 | 02465 | SH   |



RECOMMENDED  
CABLE STRIPPING DIM'S



SCALE 1.000



**CUSTOMER OUTLINE DRAWING**

ALL OTHER SHEETS ARE FOR INTERNAL USE ONLY

|   |  |                      |                   |   |                                   |
|---|--|----------------------|-------------------|---|-----------------------------------|
| UNLESS OTHERWISE SPECIFIED, DIMENSIONS ARE IN METRIC AND TOLERANCES ARE:<br><0.5mm ± 0.05mm    0.5 - 6mm ± 0.1mm    6 - 30mm ± 0.2mm    30 - 120mm ± 0.3mm    ANGLES ± 1°   | MATERIAL                                   | DRAWN<br>M. ZHANG    | DATE<br>16-Jun-16 | TITLE<br>BNC CRIMP PLUG<br>(FOR BELDEN 8214,<br>9913, 9914 CABLE) | Amphenol RF<br>www.amphenolrf.com |
|   | REFERENCE AND CONFIGURATION LEVEL: In Work | ENGINEER<br>K. LI    | DATE<br>18-Jul-05 |   |                                   |
| NOTICE - These drawings, specifications, or other data (1) are, and remain the property of Amphenol Corp. (2) must be returned upon request; and (3) are confidential and not to be disclosed to any person other than those to whom they are given by Amphenol Corp. the furnishing of these drawings, specifications, or other data by Amphenol Corp., or to any other person for any purpose is not to be regarded by implication or otherwise in any manner licensing, granting rights to permitting such holder or any other person to manufacture, use or sell any product, process or design, patented or otherwise, that may in any way be related to or disclosed by said drawings, specifications, or other data. | FINISH                                     | APPROVED<br>S. HSIEH | DATE<br>16-Jun-16 | SCALE: 4.0:1.0    SHEET 2 OF 2<br>DWG SIZE B    REV C             |                                   |
|   |  |                      |                   |   |                                   |