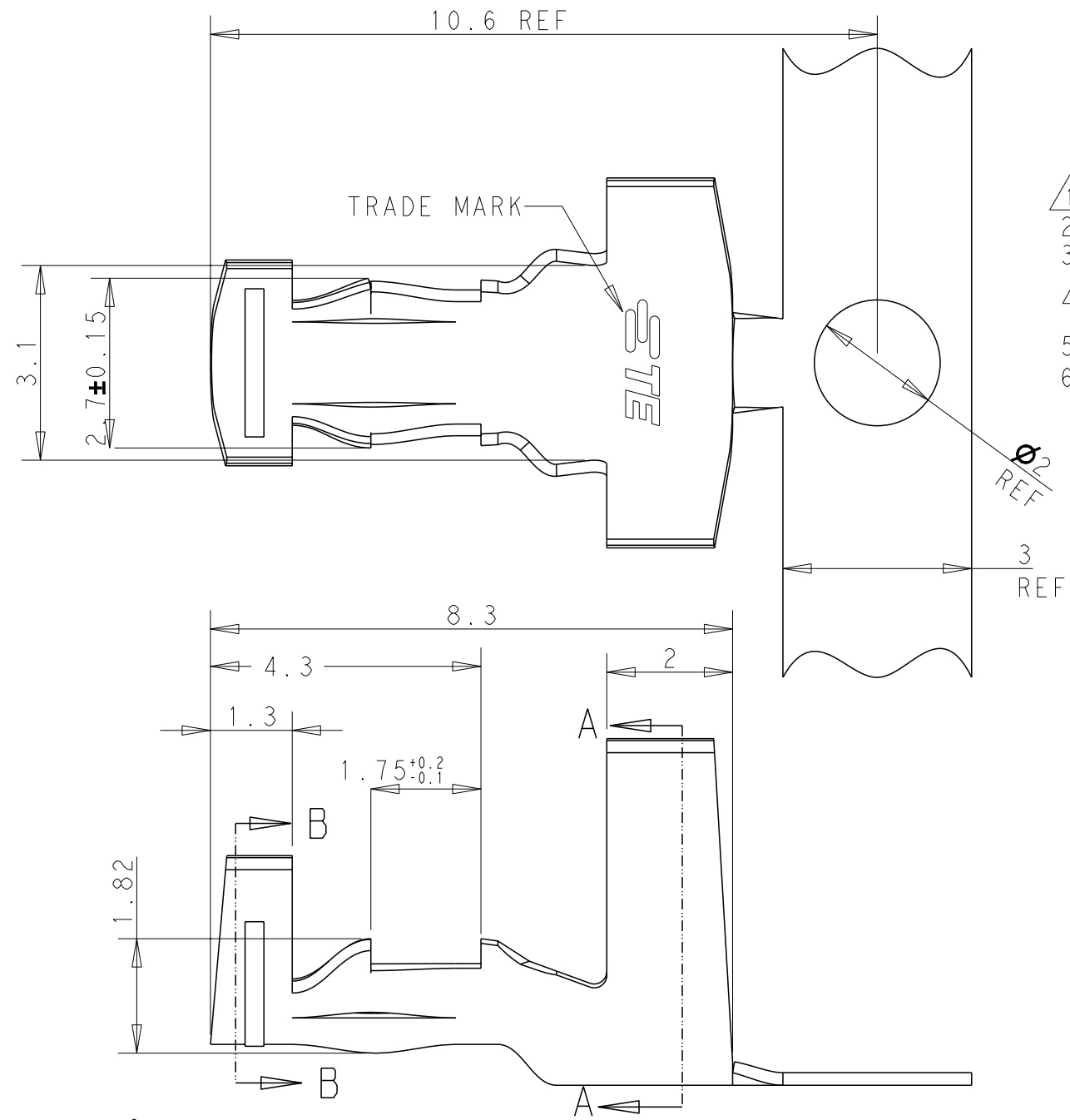
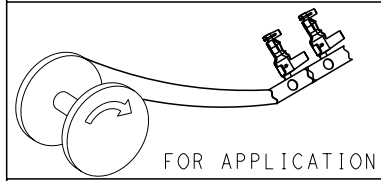
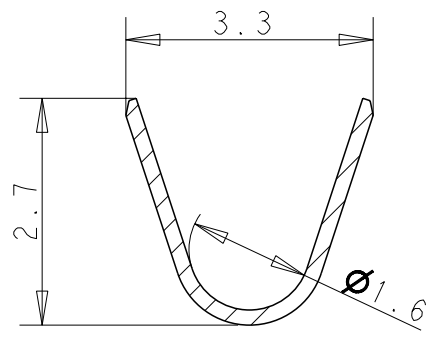


THIS DRAWING IS UNPUBLISHED. RELEASED FOR PUBLICATION 20
 © COPYRIGHT 20 BY - ALL RIGHTS RESERVED.

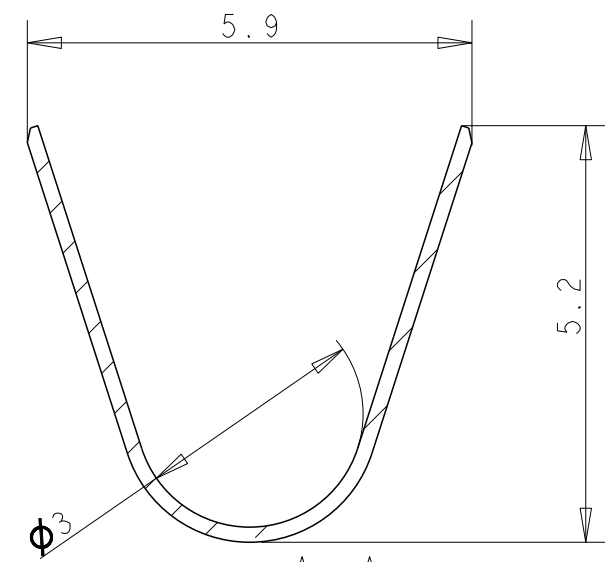
REVISIONS					
P	LTR	DESCRIPTION	DATE	DWN	APVD
	A	INITIAL RELEASE	20FEB2023	M.G	D.Z



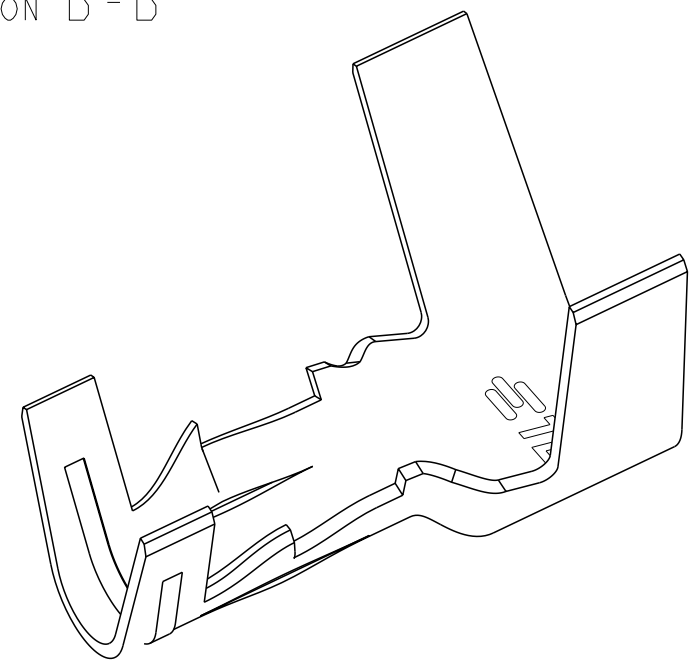
1. MATERIAL: COPPER ALLOY, PRE TIN
2. PACKAGE: REEL
3. APPLICATION FEED PITCH: 14MM
4. APPLICABLE WIRE: AWG18-16, INS DIA Ø2.8-3.4MM
5. RECOMMEND PCB HOLE DIA Ø2.35-2.45MM
6. RECOMMEND PCB THICKNESS 1.6 ± 0.05MM



SECTION B - B



SECTION A - A



2700PC/BOX	2393222-1
PACKAGE QUANTITY	PART NUMBER

THIS DRAWING IS A CONTROLLED DOCUMENT.		DWN	M. GAO	26-09-2021	 TE Connectivity	NAME BOARD-IN CONTACT S-TYPE	
DIMENSIONS: mm		CHK	L. CHEN	27-09-2021			
TOLERANCES UNLESS OTHERWISE SPECIFIED:		APVD	D. ZHANG	28-09-2021			
0 PLC ±0.3 1 PLC ±0.3 2 PLC ±0.3 3 PLC ± 4 PLC ± ANGLES ±1°		PRODUCT SPEC	108-106642				
MATERIAL	1	FINISH	PRE TIN		APPLICATION SPEC	114-106642	
		WEIGHT	0.150		SIZE	A3	
		CUSTOMER DRAWING		SCALE	10:1	CAGE CODE	00779
				SHEET	1	DRAWING NO	C-2393222
				OF	1	RESTRICTED TO	-
				REV	A		

printed on 20 Feb 2023 13:27 (China Standard Time) from TE315078