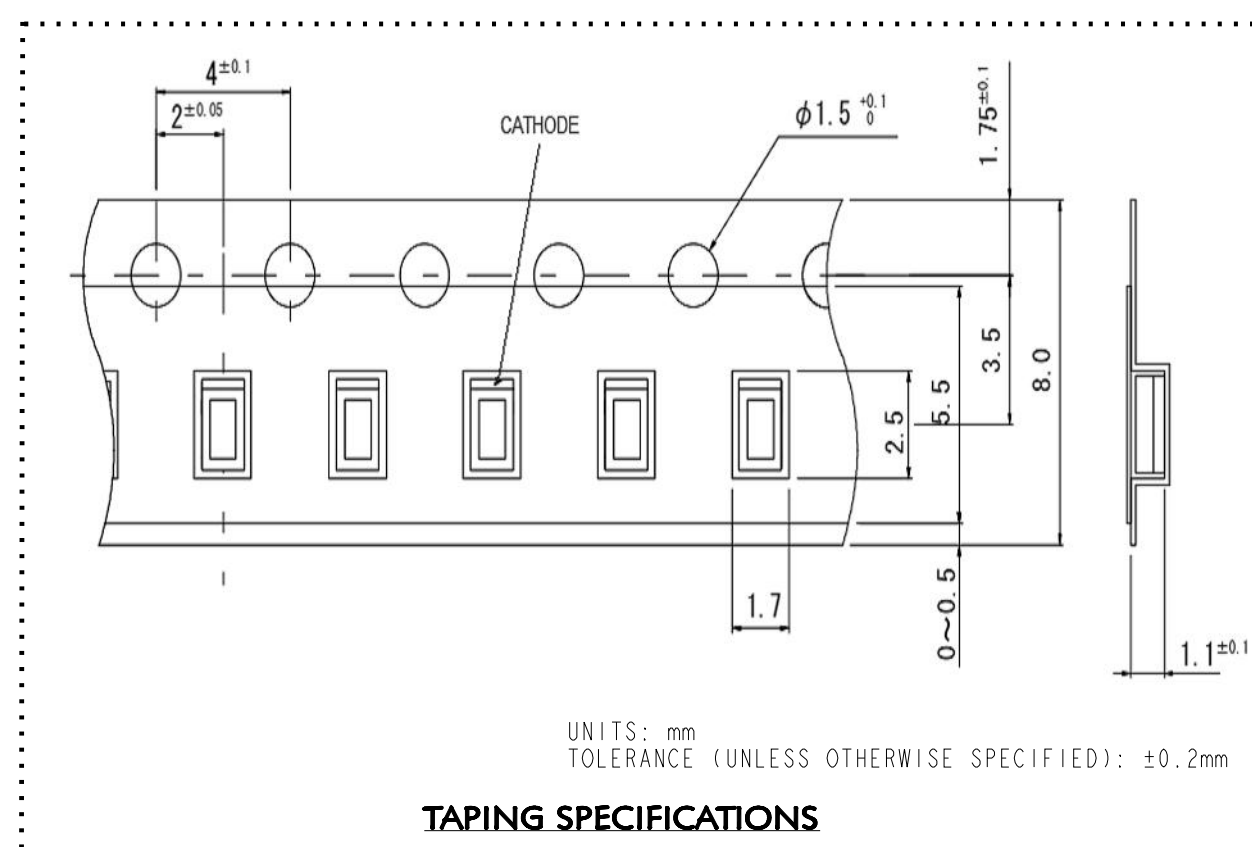
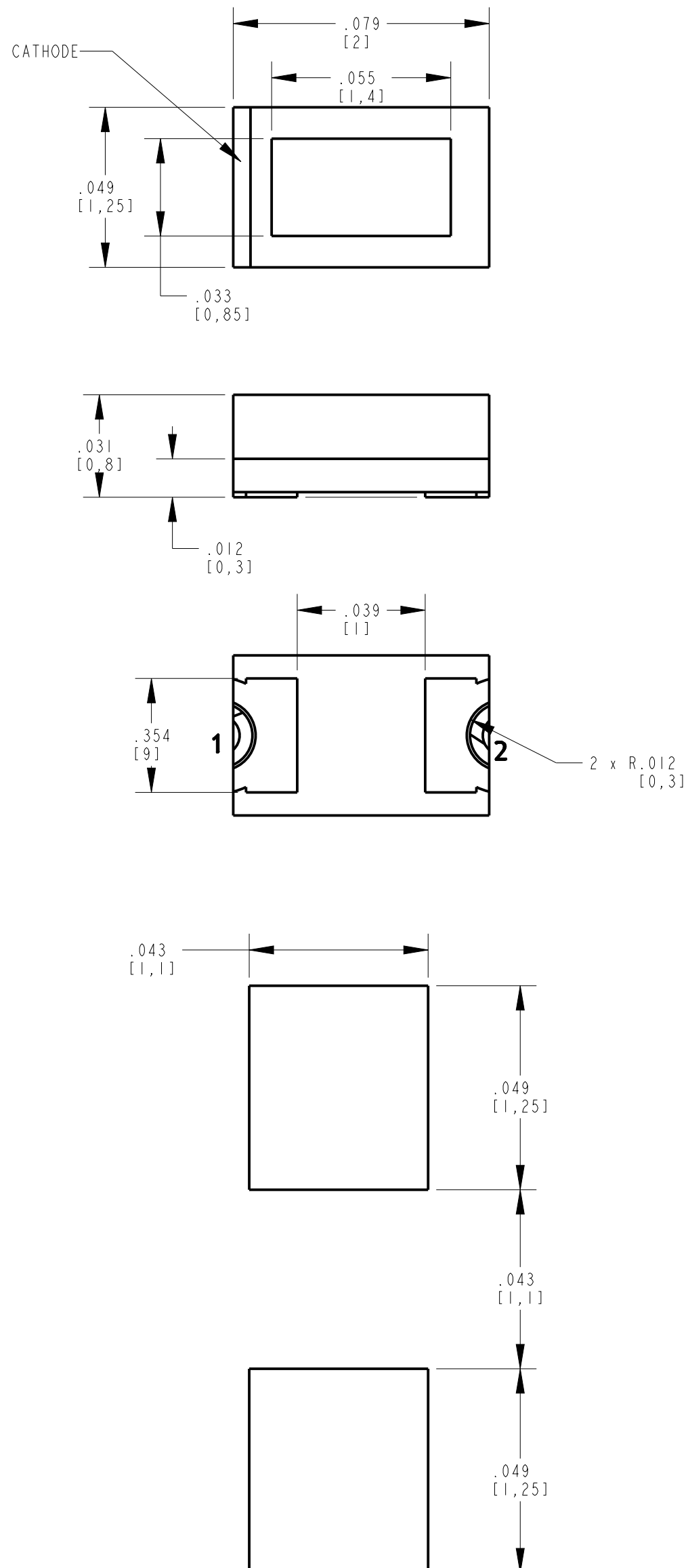


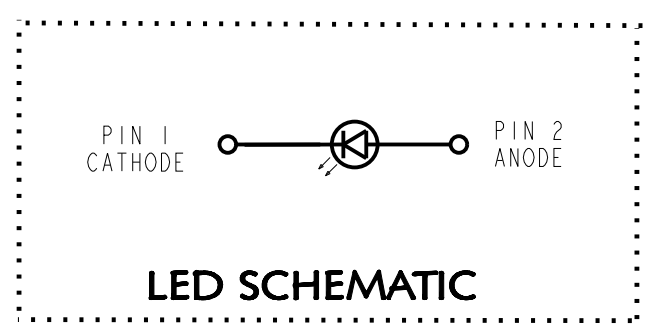
| PART NUMBER | LED COLOR |
|---------------------|---------------|
| 597-5006-502F, 507F | RED (630nm) |
| 597-5036-502F, 507F | RED (620nm) |
| 597-5206-502F, 507F | ORANGE |
| 597-5406-502F, 507F | YELLOW |
| 597-5506-502F, 507F | YELLOW GREEN |
| 597-5316-502F, 507F | GREEN (560nm) |
| 597-5606-502F, 507F | BLUE |
| 597-5326-502F, 507F | GREEN (527nm) |
| 597-5906-502F, 507F | WHITE |

| REV | ECN NO | REVISIONS | DRN | CKD | APP | DATE |
|-----|--------|-------------|-----|-----|-----|----------|
| A | — | NEW RELEASE | BP | — | NO | 03-22-18 |

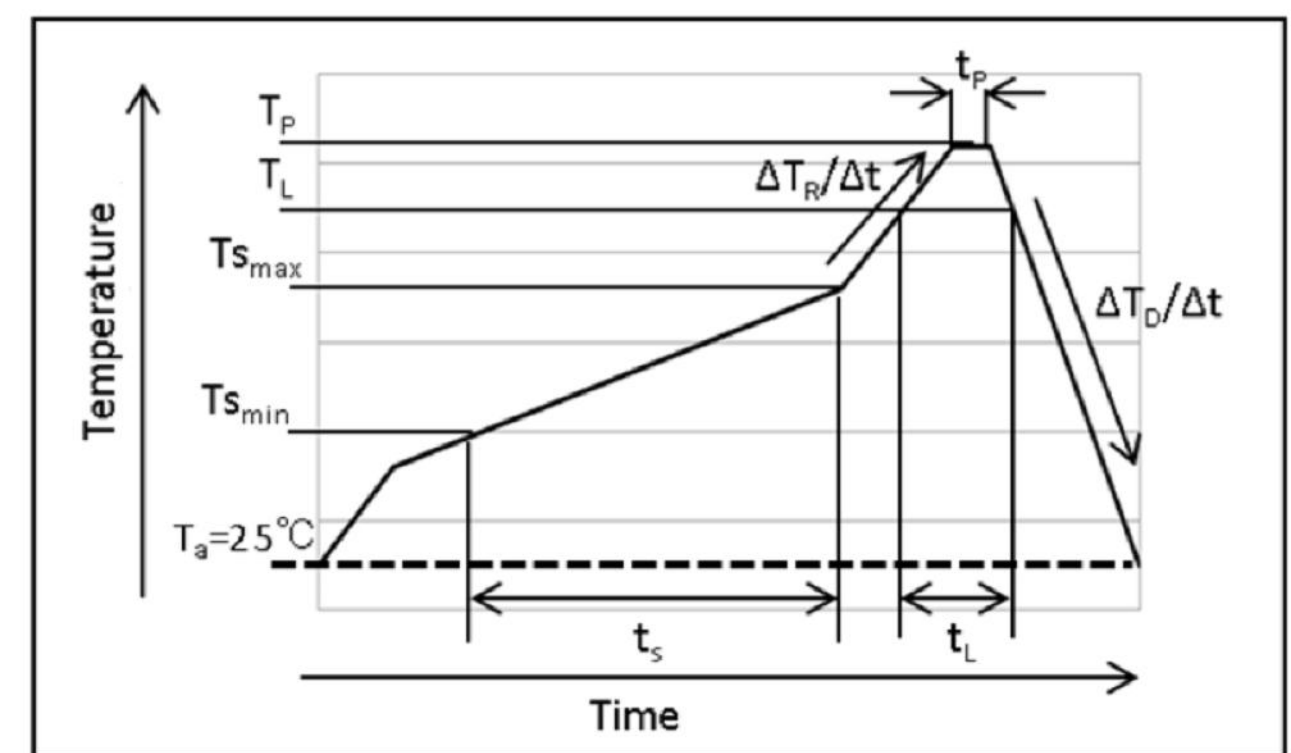


| ABSOLUTE MAXIMUM RATINGS AT 25°C | | | | | | |
|----------------------------------|------------------------|----------------------|---------------------------|---------------------|----------------------------|--------------------------|
| LED COLOR | POWER DISSIPATION (mW) | FORWARD CURRENT (mA) | PEAK FORWARD CURRENT (mA) | REVERSE VOLTAGE (V) | OPERATING TEMPERATURE (°C) | STORAGE TEMPERATURE (°C) |
| RED (630nm) | 75 | 30 | 100 | 5 | -40 TO +85 | -40 TO +100 |
| RED (620nm) | | | | | | |
| ORANGE | | | | | | |
| YELLOW | | | | | | |
| YLW GREEN | 81 | 20 | 12 | -40 TO +100 | -40 TO +100 | |
| GREEN (560nm) | | | | | | |
| GREEN (527nm) | 70 | | | | | |
| BLUE | 68 | | | | | |
| WHITE | | | | | | |

| OPERATING CHARACTERISTICS AT 25°C | | | | | | | | |
|-----------------------------------|---------|--------------------------|-------------------|--------------------------|-----|-----|-----------------------|------------------------|
| LED COLOR | IF (mA) | LUMINOUS INTENSITY (mcd) | | DOMINANT WAVELENGTH (nm) | | | REVERSE CURRENT (MAX) | FORWARD VOLTAGE (TYP.) |
| | | MIN | TYP | MIN | TYP | MAX | | |
| RED (630nm) | 20 | 40 | 75 | 625 | 630 | 635 | 10 @ VR=5V | 2 @ IF=20mA |
| RED (620nm) | | 63 | 120 | 615 | 620 | 625 | | |
| ORANGE | | 100 | 160 | 602 | 605 | 608 | | |
| YELLOW | | 587 | 590 | 593 | | | | |
| YLW GREEN | 25 | 45 | 569 | 572 | 575 | | 2.2 @ IF=20mA | |
| GREEN (560nm) | 6.3 | 16 | 557 | 560 | 563 | | | |
| GREEN (527nm) | 56 | 140 | 519 | 527 | 536 | | 3 @ IF=5mA | |
| BLUE | 5 | 14 | 36 | 464 | 470 | 476 | | |
| WHITE | 56 | 140 | (X,Y) (0.30,0.28) | | | | | |



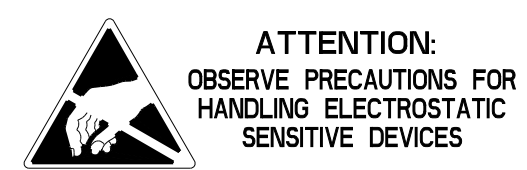
- NOTES:**
- DIALIGHT P/N: 597-5XX6-502F, 597-5XX6-507F
SUFFIX -502F FOR 20 PCS ON A SAMPLE TAPE STRIP
SUFFIX -507F FOR 7" DIAMETER REEL, PACKAGED 3000 PCS PER REEL.
 - LABELING FOR REEL AND OUTSIDE OF ALUMINUM BAG:
DIALIGHT P/N, QUANTITY PER REEL, DATE CODE, INTENSITY BIN CODE, LOT NUMBER AND COUNTRY OF ORIGIN
 - TAPE AND REEL LEDS MAY REQUIRE RE-TAPING AFTER TWELVE MONTHS.
 - PIN NUMBERS ARE FOR REFERENCE ONLY, DESIGNATION NON-EXISTENT ON PART.
 - THIS PRODUCT IS RoHS COMPLIANT. EACH BAG IS TO BE MARKED WITH RoHS COMPLIANT LABEL OR EQUIVALENT MARKINGS. LED MUST BE Pb FREE.
 - ESD WITHSTAND VOLTAGE 4000V MAX PER JS-001-2014.
 - MSL LEVEL 4



| MARK | MEANING | CONDITIONS |
|-----------------------|--|----------------|
| $T_{s_{max}}$ | MAXIMUM OF PRE-HEATING TEMP. | 180 °C |
| $T_{s_{min}}$ | MINIMUM OF PRE-HEATING TEMP. | 140 °C |
| t_s | TIME FROM $T_{s_{min}}$ TO $T_{s_{max}}$ | OVER 60 sec. |
| T_L | REFERENCE TEMP | 230-250 °C |
| t_L | RETENTION TIME FOR T_L | WITHIN 40 sec. |
| T_P | PEAK TEMP | 250 °C (MAX) |
| t_p | TIME FOR PEAK TEMP | WITHIN 10 sec. |
| $\Delta T_R/\Delta t$ | TEMP. RISING RATE | UNDER 3°C/sec. |
| $\Delta T_D/\Delta t$ | TEMP. DECREASING RATE | OVER -3°C/sec. |

RECOMMENDED RoHS SOLDER PROFILE

RECOMMENDED SOLDER PAD LAYOUT



THIS DRAWING AND THE CONTENTS HEREIN ARE CONFIDENTIAL AND THE SOLE PROPERTY OF DIALIGHT CORP. REPRODUCTION OF THIS DRAWING OR CONSTRUCTION OF ANY PARTS WITHIN THIS DRAWING ARE FORBIDDEN WITHOUT THE WRITTEN CONSENT OF DIALIGHT CORP.

DIALIGHT CORP. INTERNAL REFERENCE ONLY = 3D MODEL : 5975006507F-A.1

SCALE: 25.000 DRAWING NUMBER: REV

ALL DIM'S IN: INCHES (MM)

TOLERANCES: UNLESS OTHERWISE SPECIFIED

FRACTIONS: ±1/64

DECIMALS (.XX): ±.01

DECIMALS (.XXX): ±.005

DECIMALS (.XXXX): ±.0005

ANGLES: ±1°

FINISH

FSCM 83330 SHEET 1 OF 1 FAMILY TABLE:

C-18370 **A**

TITLE: SM LED 0805 PACKAGE

MATERIAL

Dialight 1501 ROUTE 34 SOUTH, FARMINGDALE, NJ 07727 (732) 919-3119 www.dialight.com

Mouser Electronics

Authorized Distributor

Click to View Pricing, Inventory, Delivery & Lifecycle Information:

Dialight:

[5975206507F](#) [5975326507F](#) [5975906507F](#) [5975036507F](#) [5975506507F](#) [5975316507F](#) [5975606507F](#)
[5975006507F](#) [5975406507F](#)