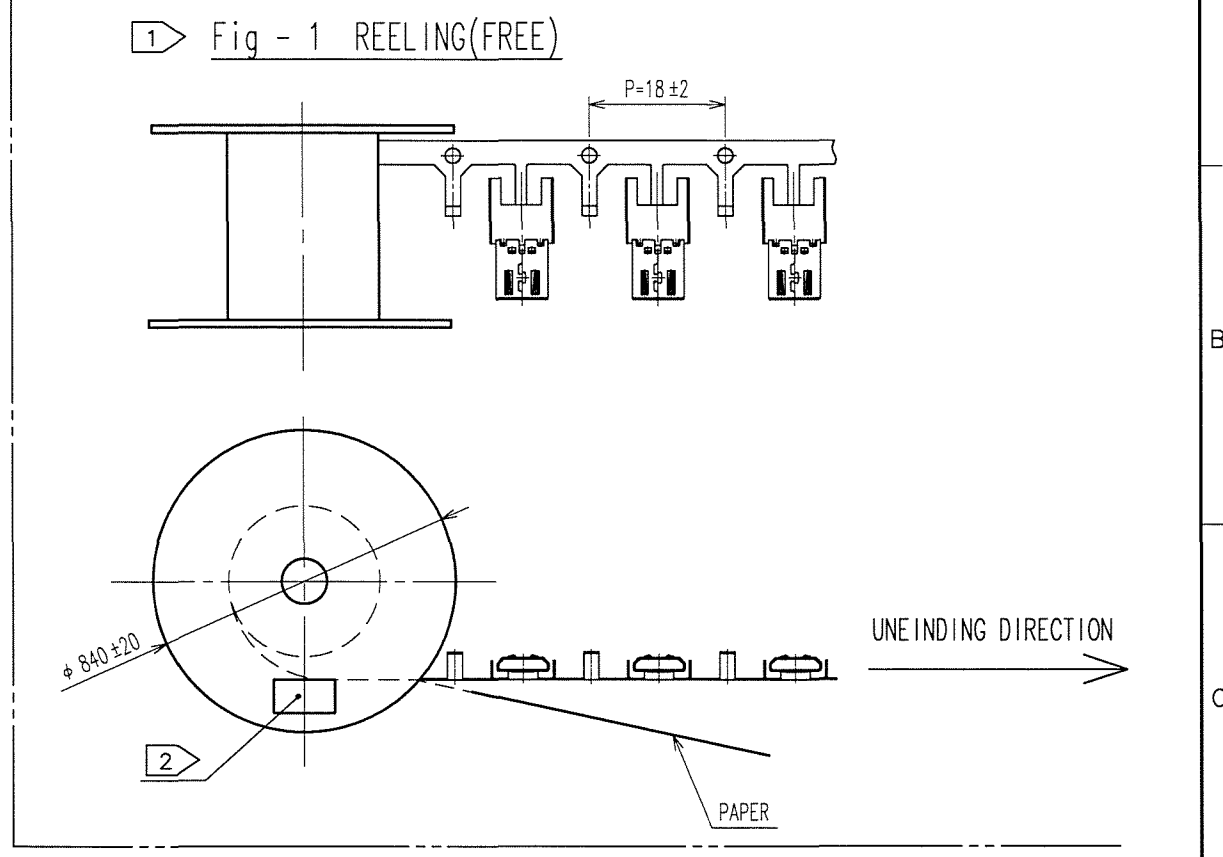
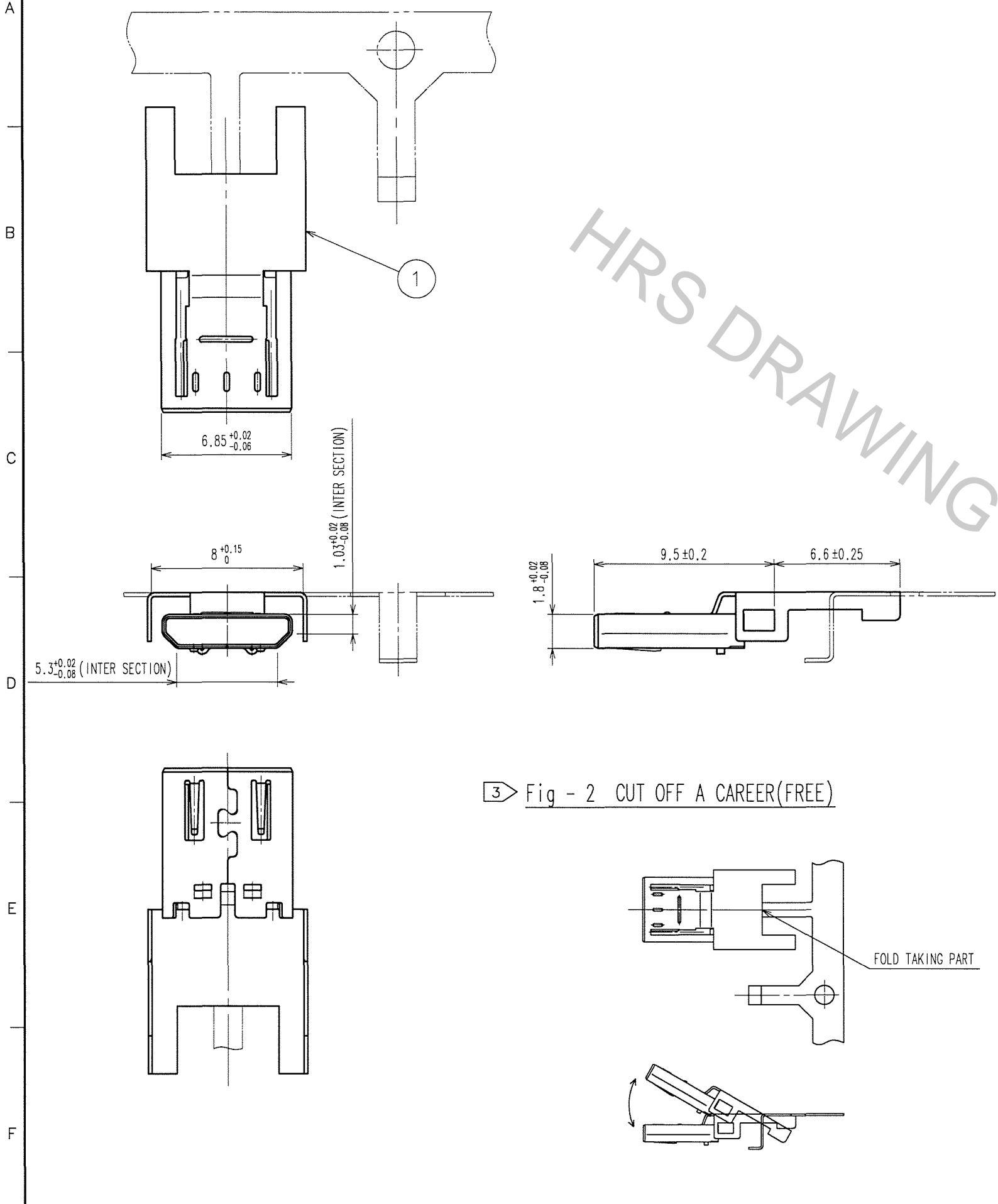
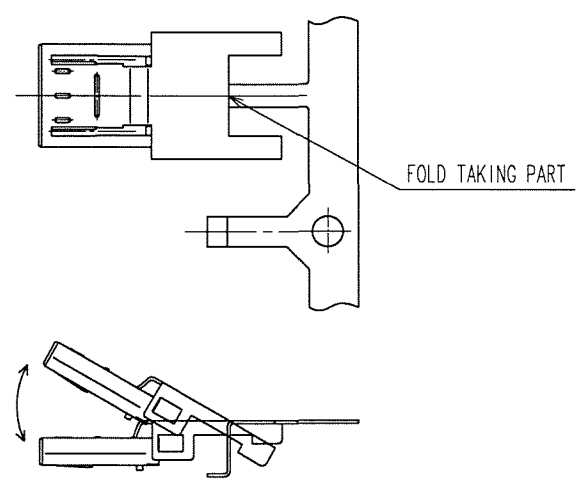


May.1.2017 Copyright 2017 HIROSE ELECTRIC CO., LTD. All Rights Reserved.

COUNT	DESCRIPTION OF REVISIONS	BY	CHKD	DATE	COUNT	DESCRIPTION OF REVISIONS	BY	CHKD	DATE
△					△				
△					△				
△					△				



3 Fig - 2 CUT OFF A CAREER(FREE)



NOTES 1 THIS IS DELIVERED BY A REEL .QTY:4000PCS
 2 SHOWN ON A REEL AND A BOX IS ; ' PART No. ', ' CODE No. ', ' LOT No. ', ' QTY '
 3 CUT OFF CAREER AS SHOWN IN Fig-2.

TO

NO.	MATERIAL	FINISH, REMARKS	NO.	MATERIAL	FINISH, REMARKS
1	STAINLESS STEEL			NICKEL 0.1μm MIN	
CODE NO. (OLD)			DRAWN	DESIGNED	CHECKED
			M. Shirogane	M. Shirogane	R. Koyama
			07.2.1	07.2.1	07.02.02
					07.02.05
DRAWING NO.			PART NO.		
EDC3-126125			ZX64-B-SLDC		
UNITS			CODE NO.		
mm			CL242-0018-4		