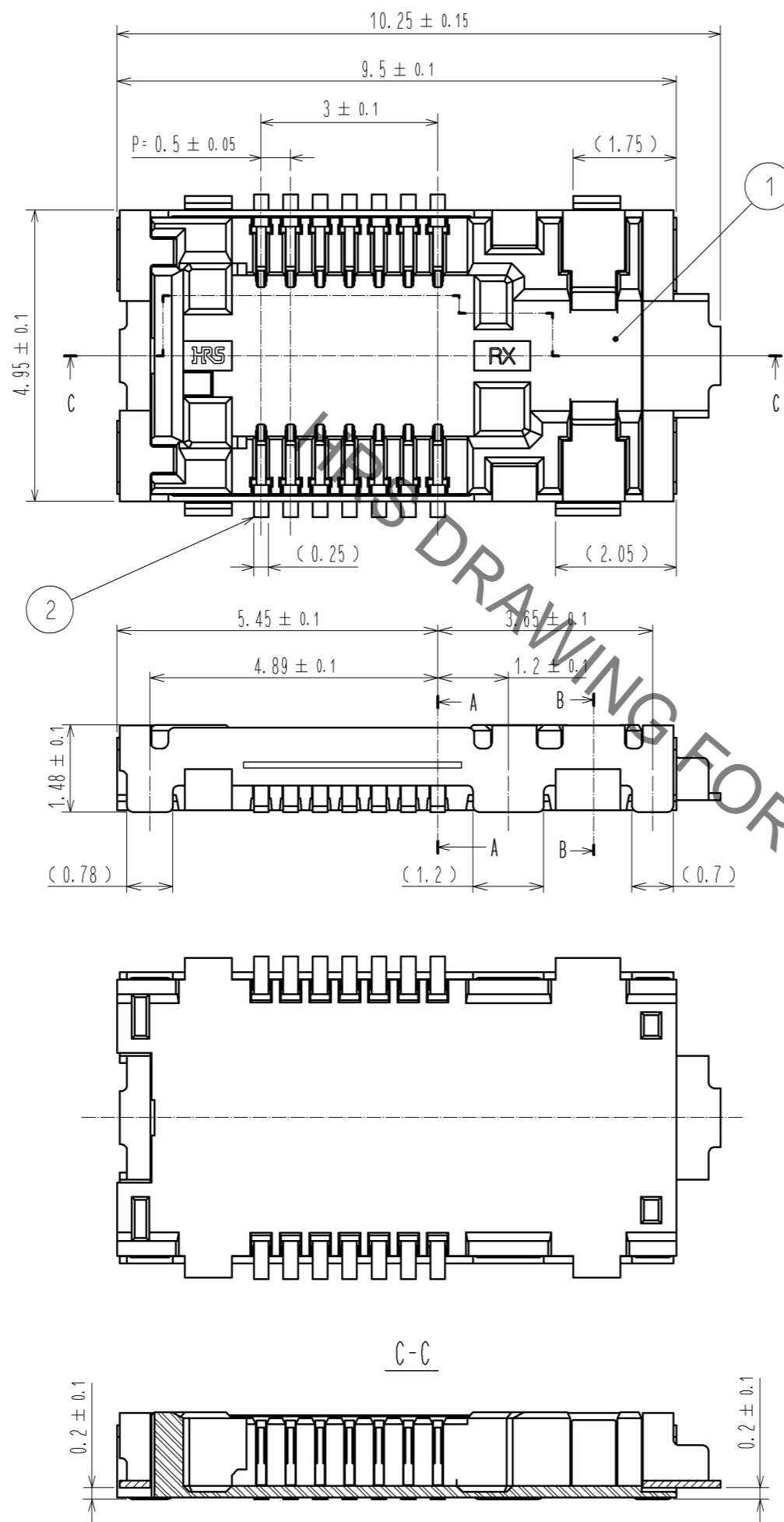


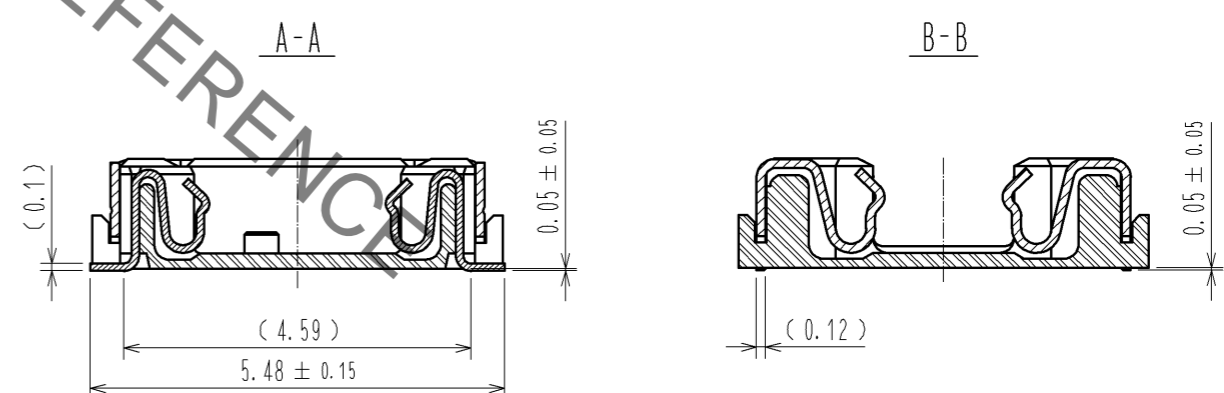
Jan.1.2022 Copyright 2022 HIROSE ELECTRIC CO., LTD. All Rights Reserved.  
In case of consideration for using Automotive equipment / device which demand high reliability, kindly contact our sales window correspondents.



NOTE 1 All lead co-planarity shall be 0.1mm maximum.

- ①② Contact plating
  - Contact area :Gold 0.05um MIN
  - SMT lead :Gold 0.05um MIN
  - Under plating:Nickel 1um MIN

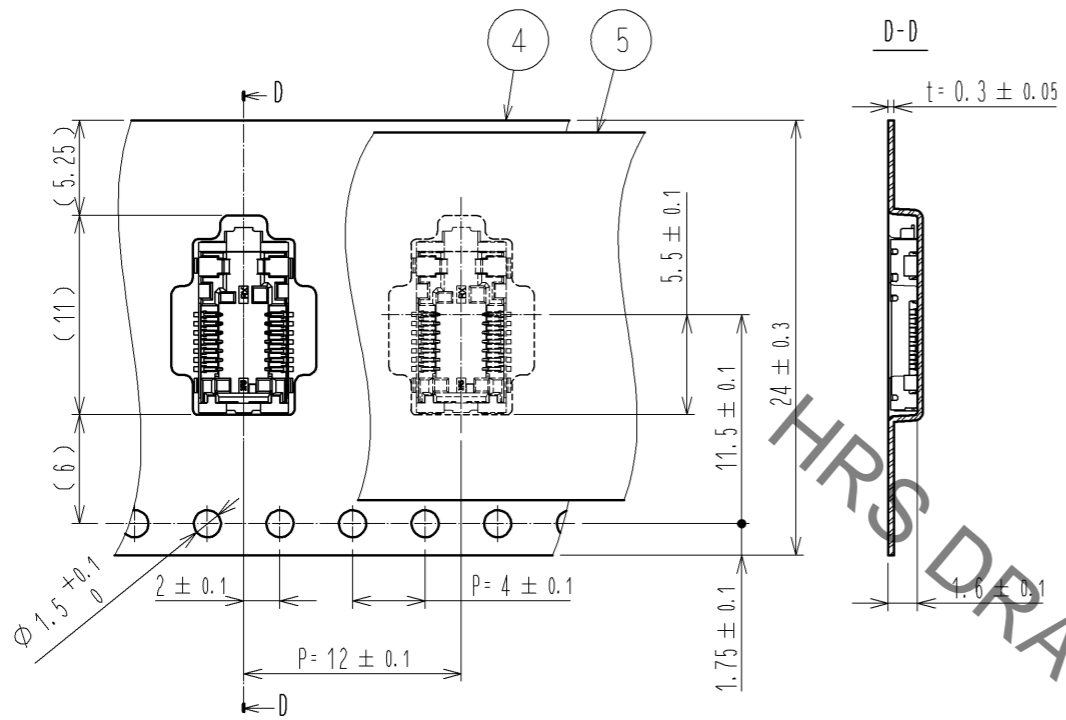
There shall be the nickel barrier between contact and SMT area.
- ①③ Shell plating
  - All area :Gold 0.05um MIN
  - Under plating:Nickel 1um MIN 2um MAX
- ④ The peeling strength of cover tape shall comply with IEC 60286-3 (JIS C0806-3).
- ⑤ Embossed carrier tape has the sprocket hole on one side.
- ⑥ Recommended land pattern is shown. Please do not arrange the via without resist in the hatching part as shown in the figure.
- ⑦ The connector dimension when the plug engages is shown.
- ⑧ Please note that it becomes impossible to use extraction tool when other parts are in the crossing hatching part as shown in the figure.
- ⑨ Please layout the PCB pattern and fiber alignment, considering not to overload fiber. ( Please see ETAD-K0398 about connector handling precautions.)
- ①⑩ Pin assignment and functions are described in the specification of BF4M plug connector (ETAD-K0485)



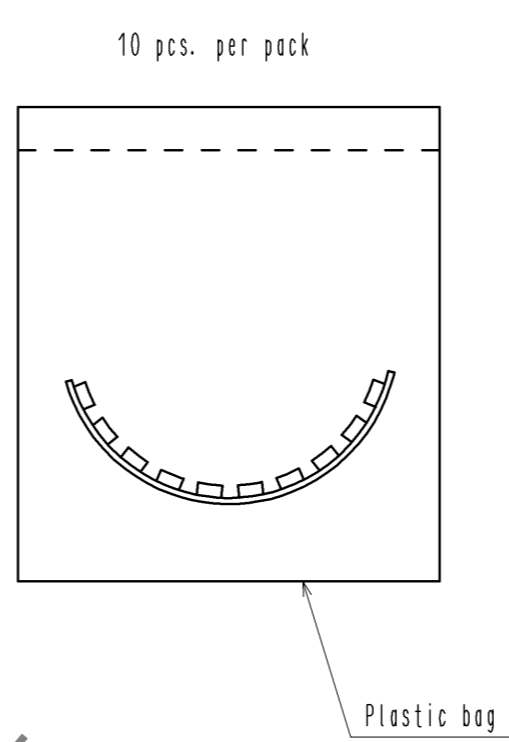
3	Phosphor Bronze	③	5	POLYESTER	CLEAR (Cover tape)				
2	Phosphor Bronze	②	4	PS	CLEAR (Embossed carrier tape)				
1	LCP	UL94 V-0							
NO.	MATERIAL	FINISH .	REMARKS	NO.	MATERIAL	FINISH .	REMARKS		
UNITS	mm	SCALE	10 : 1	COUNT	4	DESCRIPTION OF REVISIONS	DESIGNED	CHECKED	DATE
						DIS-K-002978	SJ. SUZUKI	SJ. SHIMIZU	13. 06. 27
APPROVED : MT. SHIBUTANI			13. 03. 01		DRAWING NO. EDC3-178304-10				
CHECKED : SJ. SHIMIZU			13. 03. 01		PART NO. BF4-RX-14DS-0. 5V<10>				
DESIGNED : KS. JOKURA			13. 02. 28		CODE NO. CL831-0009-9-10				
DRAWN : KS. JOKURA			13. 02. 28						

Jan.1.2022 Copyright 2022 HIROSE ELECTRIC CO., LTD. All Rights Reserved.  
 In case of consideration for using Automotive equipment / device which demand high reliability, kindly contact our sales window correspondents.

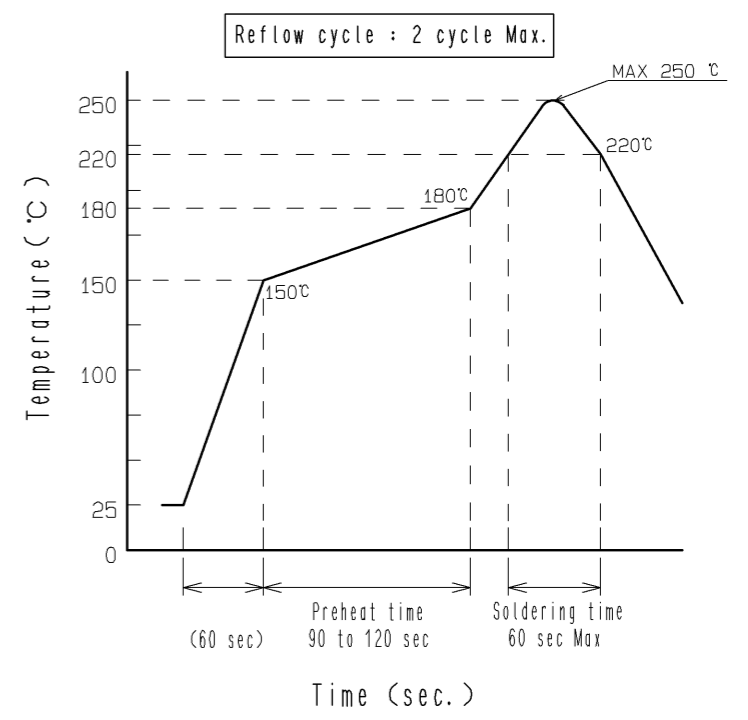
Dimensions of embossed carrier tape (Scale : FREE)



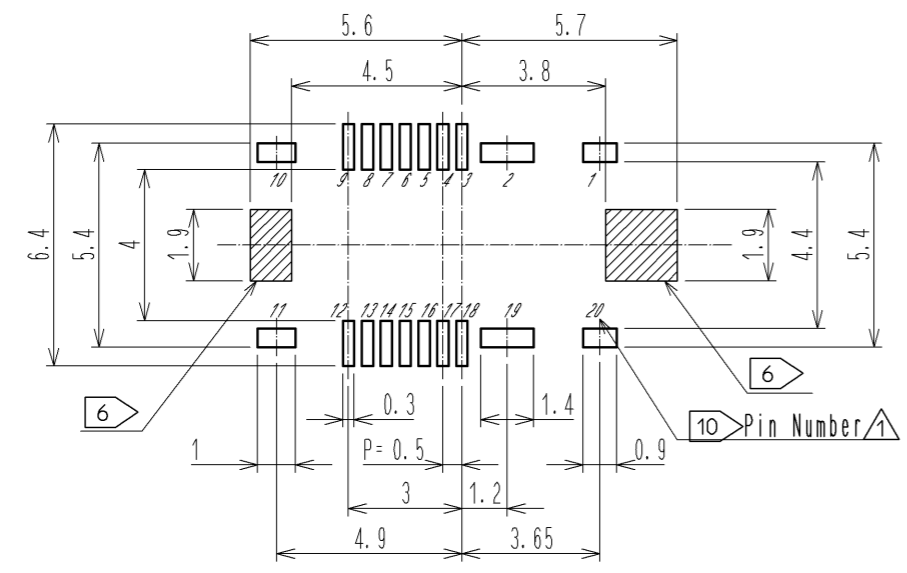
Packing style (Scale : FREE)



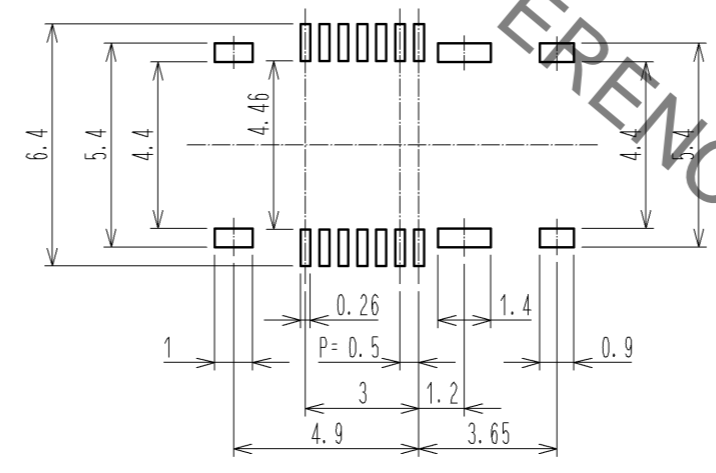
Recommended reflow temperature profile using Lead-Free solder paste.



Recommended PCB land pattern

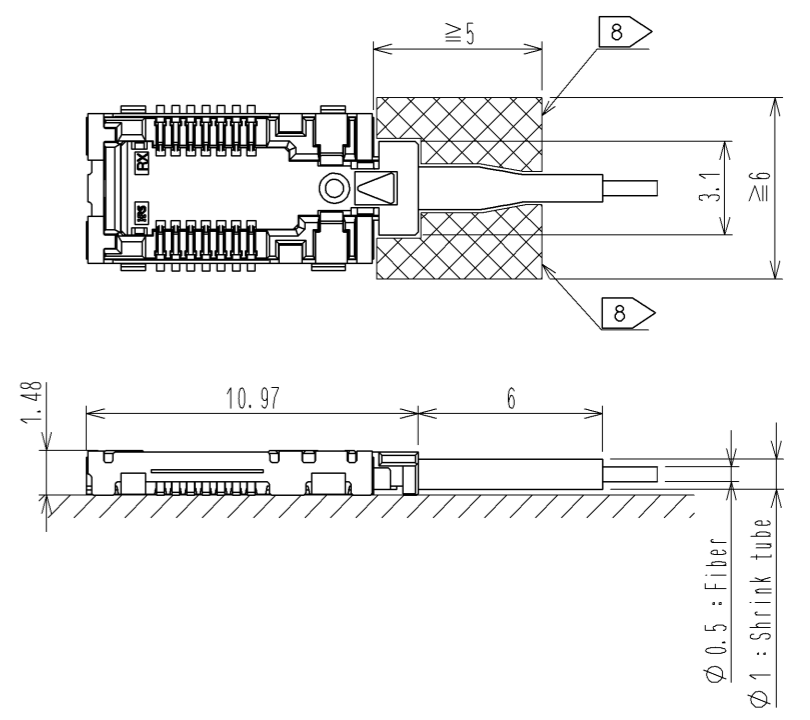


Recommended metal mask dimensions (Mask thickness : 120 μm)



Aperture ratio  
 Pads mounted contacts : 70%  
 Pads mounted shell : 100%

Dimensions of engaged connector (Scale:FREE)



<b>HRS</b>	DRAWING NO.	EDC3-178304-10
	PART NO.	BF4-RX-14DS-0.5V(10)
	CODE NO.	CL831-0009-9-10
		2/2

# Mouser Electronics

Authorized Distributor

Click to View Pricing, Inventory, Delivery & Lifecycle Information:

[Hirose Electric:](#)

[BF4-RX-14DS-0.5V\(10\)](#)