



Low-Noise, Precision, +2.5V/+4.096V/+5V Voltage Reference

MAX6220

General Description

The MAX6220 is a low-noise, precision voltage reference with extremely low 20ppm/°C temperature coefficient over the automotive temperature range (-40°C to +125°C) and excellent ±0.1% initial accuracy. This device features buried-zener technology for low noise performance. The load-regulation specification is guaranteed for source and sink currents up to 15mA. Excellent line and load regulation and low output impedance at high frequency make the MAX6220 ideal for high-resolution data-conversion systems up to 16 bits. The MAX6220 is set for 2.5V, 4.096V, and 5.0V outputs.

Features

- ◆ Low 20ppm/°C Temperature Coefficient over -40°C to +125°C Range
- ◆ Very Low 1.5µVp-p Noise (0.1Hz to 10Hz)
- ◆ ±0.1% Initial Accuracy
- ◆ ±15mA Output Source and Sink Current
- ◆ 8V to 40V Input Voltage Range
- ◆ Optional Noise Reduction and Voltage Trim
- ◆ Excellent Transient Response
- ◆ Low 20ppm/1000hr Long-Term Stability
- ◆ Stable for All Capacitive Loads

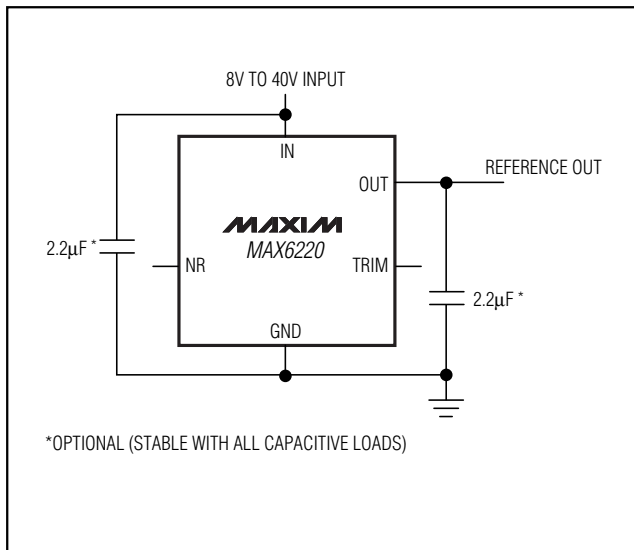
Applications

High-Accuracy Industrial and Process Control
 ATE Equipment
 Precision Current Sources

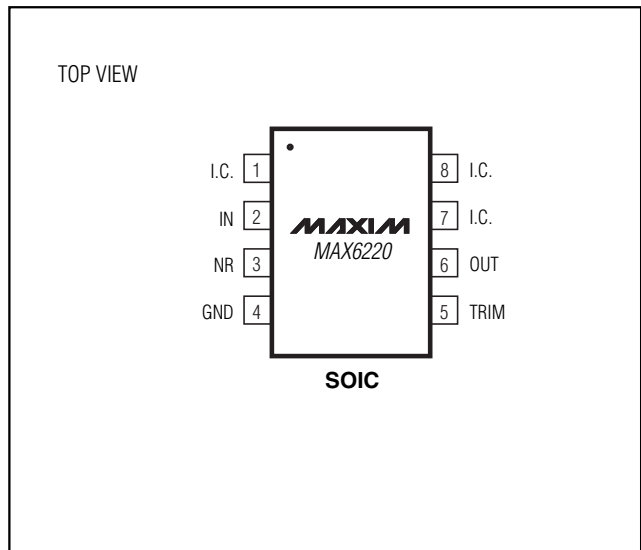
Ordering Information

| PART | TEMP. RANGE | PIN-PACKAGE | OUTPUT VOLTAGE (V) |
|--------------|-----------------|-------------|--------------------|
| MAX6220ASA25 | -40°C to +125°C | 8 SO | 2.5 |
| MAX6220ASA41 | -40°C to +125°C | 8 SO | 4.096 |
| MAX6220ASA50 | -40°C to +125°C | 8 SO | 5.0 |

Typical Operating Circuit



Pin Configuration



Low-Noise, Precision, +2.5V/+4.096V/+5V Voltage Reference

ABSOLUTE MAXIMUM RATINGS

(Voltages Referenced to GND)

| | |
|---|---------------|
| IN | -0.3V to +42V |
| OUT, TRIM | -0.3V to +12V |
| NR | -0.3V to +6V |
| OUT Short-Circuit to GND Duration ($V_{IN} \leq 12V$) | Continuous |
| OUT Short-Circuit to GND Duration ($V_{IN} \leq 42V$) | 5s |
| OUT Short-Circuit to IN Duration ($V_{IN} \leq 12V$) | Continuous |

Continuous Power Dissipation ($T_A = +70^\circ\text{C}$)

| | |
|--|---|
| 8-Pin SO (derate 5.9mW/ $^\circ\text{C}$ above $+70^\circ\text{C}$) | 471mW |
| Operating Temperature Range | -40°C to $+125^\circ\text{C}$ |
| Storage Temperature Range | -65°C to $+150^\circ\text{C}$ |
| Lead Temperature (soldering, 10s) | $+300^\circ\text{C}$ |

Stresses beyond those listed under "Absolute Maximum Ratings" may cause permanent damage to the device. These are stress ratings only, and functional operation of the device at these or any other conditions beyond those indicated in the operational sections of the specifications is not implied. Exposure to absolute maximum rating conditions for extended periods may affect device reliability.

ELECTRICAL CHARACTERISTICS—(+2.5V)

($V_{IN} = +10V$, $I_{OUT} = 0\text{mA}$, $T_A = T_{MIN}$ to T_{MAX} , unless otherwise noted. Typical values are at $T_A = +25^\circ\text{C}$.)

| PARAMETER | SYMBOL | CONDITIONS | T_A | MIN | TYP | MAX | UNITS |
|---|---|--|---------------------|----------|----------|-------|-----------------------|
| Input Voltage Range | V_{IN} | | | 8 | | 40 | V |
| Output Voltage | V_{OUT} | | $+25^\circ\text{C}$ | 2.497 | 2.500 | 2.503 | V |
| Output Voltage Temperature Coefficient (Note 1) | TCV_{OUT} | | | | 2 | 20 | ppm/ $^\circ\text{C}$ |
| Line Regulation (Note 2) | $\frac{\Delta V_{OUT}}{\Delta V_{IN}}$ | $8V \leq V_{IN} \leq 40V$ | $+25^\circ\text{C}$ | | 2 | 7 | ppm/V |
| | | | | | | 45 | |
| Load Regulation (Note 2) | $\frac{\Delta V_{OUT}}{\Delta I_{OUT}}$ | Sourcing: $0\text{mA} \leq I_{OUT} \leq 15\text{mA}$ | $+25^\circ\text{C}$ | | 1 | 6 | ppm/mA |
| | | | | | | 15 | |
| | | Sinking: $-15\text{mA} \leq I_{OUT} \leq 0\text{mA}$ | $+25^\circ\text{C}$ | | 1 | 6 | |
| | | | | | | | |
| Supply Current | I_{IN} | | $+25^\circ\text{C}$ | | 1.8 | 2.9 | mA |
| | | | | | | 3.3 | |
| Trim-Adjustment Range | ΔV_{OUT} | (Figure 1) | | ± 15 | ± 25 | | mV |
| Turn-On Settling Time | t_{ON} | To $\pm 0.01\%$ of final value | | | 5 | | μs |
| Output Noise Voltage (Note 3) | e_N | $0.1\text{Hz} \leq f \leq 10\text{Hz}$ | | | 1.5 | | μV_{p-p} |
| | | $10\text{Hz} \leq f \leq 1\text{kHz}$ | | | 1.3 | 2.8 | μV_{RMS} |
| Temperature Hysteresis | | (Note 4) | | | 20 | | ppm |
| Long-Term Stability | ΔV_{OUT} | $\Delta t = 1000\text{hr}$ | | | 20 | | ppm |

Low-Noise, Precision, +2.5V/+4.096V/+5V Voltage Reference

MAX6220

ELECTRICAL CHARACTERISTICS—(+4.096V)

($V_{IN} = +10V$, $I_{OUT} = 0mA$, $T_A = T_{MIN}$ to T_{MAX} , unless otherwise noted. Typical values are at $T_A = +25^{\circ}C$.)

| PARAMETER | SYMBOL | CONDITIONS | T_A | MIN | TYP | MAX | UNITS |
|---|---|--|-------|-------|-------|-------|-------------------|
| Input Voltage Range | V_{IN} | | | 8 | | 40 | V |
| Output Voltage | V_{OUT} | | +25°C | 4.092 | 4.096 | 4.100 | V |
| Output Voltage Temperature Coefficient (Note 1) | TCV_{OUT} | | | | 2 | 20 | ppm/°C |
| Line Regulation (Note 2) | $\frac{\Delta V_{OUT}}{\Delta V_{IN}}$ | $8V \leq V_{IN} \leq 40V$ | +25°C | | 2 | 7 | ppm/V |
| | | | | | | 45 | |
| Load Regulation (Note 2) | $\frac{\Delta V_{OUT}}{\Delta I_{OUT}}$ | Sourcing: $0mA \leq I_{OUT} \leq 15mA$ | +25°C | | 1 | 6 | ppm/mA |
| | | | | | | 15 | |
| | | Sinking: $-15mA \leq I_{OUT} \leq 0mA$ | +25°C | | 1 | 6 | |
| | | | | | | 30 | |
| Supply Current | I_{IN} | | +25°C | | 1.9 | 3.1 | mA |
| | | | | | | 3.5 | |
| Trim-Adjustment Range | ΔV_{OUT} | (Figure 1) | | ±24 | ±40 | | mV |
| Turn-On Settling Time | t_{ON} | To ±0.01% of final value | | | 5 | | µs |
| Output Noise Voltage (Note 3) | e_N | $0.1Hz \leq f \leq 10Hz$ | | | 2.4 | | µVp-p |
| | | $10Hz \leq f \leq 1kHz$ | | | 2.0 | 4.0 | µV _{RMS} |
| Temperature Hysteresis | | (Note 4) | | | 20 | | ppm |
| Long-Term Stability | ΔV_{OUT} | $\Delta t = 1000hr$ | | | 20 | | ppm |

Low-Noise, Precision, +2.5V/+4.096V/+5V Voltage Reference

ELECTRICAL CHARACTERISTICS—(+5.0V)

($V_{IN} = +10V$, $I_{OUT} = 0mA$, $T_A = T_{MIN}$ to T_{MAX} , unless otherwise noted. Typical values are at $T_A = +25^\circ C$.)

| PARAMETER | SYMBOL | CONDITIONS | T_A | MIN | TYP | MAX | UNITS |
|---|-----------------------------------|--|-------|-------|-------|-------|--------|
| Input Voltage Range | V_{IN} | | | 8 | | 40 | V |
| Output Voltage | V_{OUT} | | +25°C | 4.995 | 5.000 | 5.005 | V |
| Output Voltage Temperature Coefficient (Note 1) | TCV_{OUT} | | | | 2 | 20 | ppm/°C |
| Line Regulation (Note 2) | $\Delta V_{OUT} / \Delta V_{IN}$ | $8V \leq V_{IN} \leq 40V$ | +25°C | | 2 | 7 | ppm/V |
| | | | | | | 45 | |
| Load Regulation (Note 2) | $\Delta V_{OUT} / \Delta I_{OUT}$ | Sourcing: $0mA \leq I_{OUT} \leq 15mA$ Sinking: $-15mA \leq I_{OUT} \leq 0mA$ | +25°C | | 1 | 6 | ppm/mA |
| | | | | | | 15 | |
| | | | +25°C | | 1 | 6 | |
| | | | | | | 30 | |
| Supply Current | I_{IN} | | +25°C | | 2.0 | 3.3 | mA |
| | | | | | | 3.7 | |
| Trim-Adjustment Range | ΔV_{OUT} | (Figure 1) | | ±30 | ±50 | | mV |
| Turn-On Settling Time | t_{ON} | To ±0.01% of final value | | | 5 | | µs |
| Output Noise Voltage (Note 3) | e_N | 0.1Hz ≤ f ≤ 10Hz | | | 3.0 | | µVp-p |
| | | 10Hz ≤ f ≤ 1kHz | | | 2.5 | 5.0 | µVRMS |
| Temperature Hysteresis | | (Note 4) | | | 20 | | ppm |
| Long-Term Stability | ΔV_{OUT} | $\Delta t = 1000hr$ | | | 20 | | ppm |

Note 1: Temperature coefficient is measured by the box method; i.e., the maximum ΔV_{OUT} is divided by $\Delta T \times V_{OUT}$.

Note 2: Line regulation ($\Delta V_{OUT} / (V_{OUT} \times \Delta V_{IN})$) and load regulation ($\Delta V_{OUT} / (V_{OUT} \times \Delta I_{OUT})$) are measured with pulses and do not include output voltage changes due to die-temperature changes.

Note 3: Noise specifications are guaranteed by design.

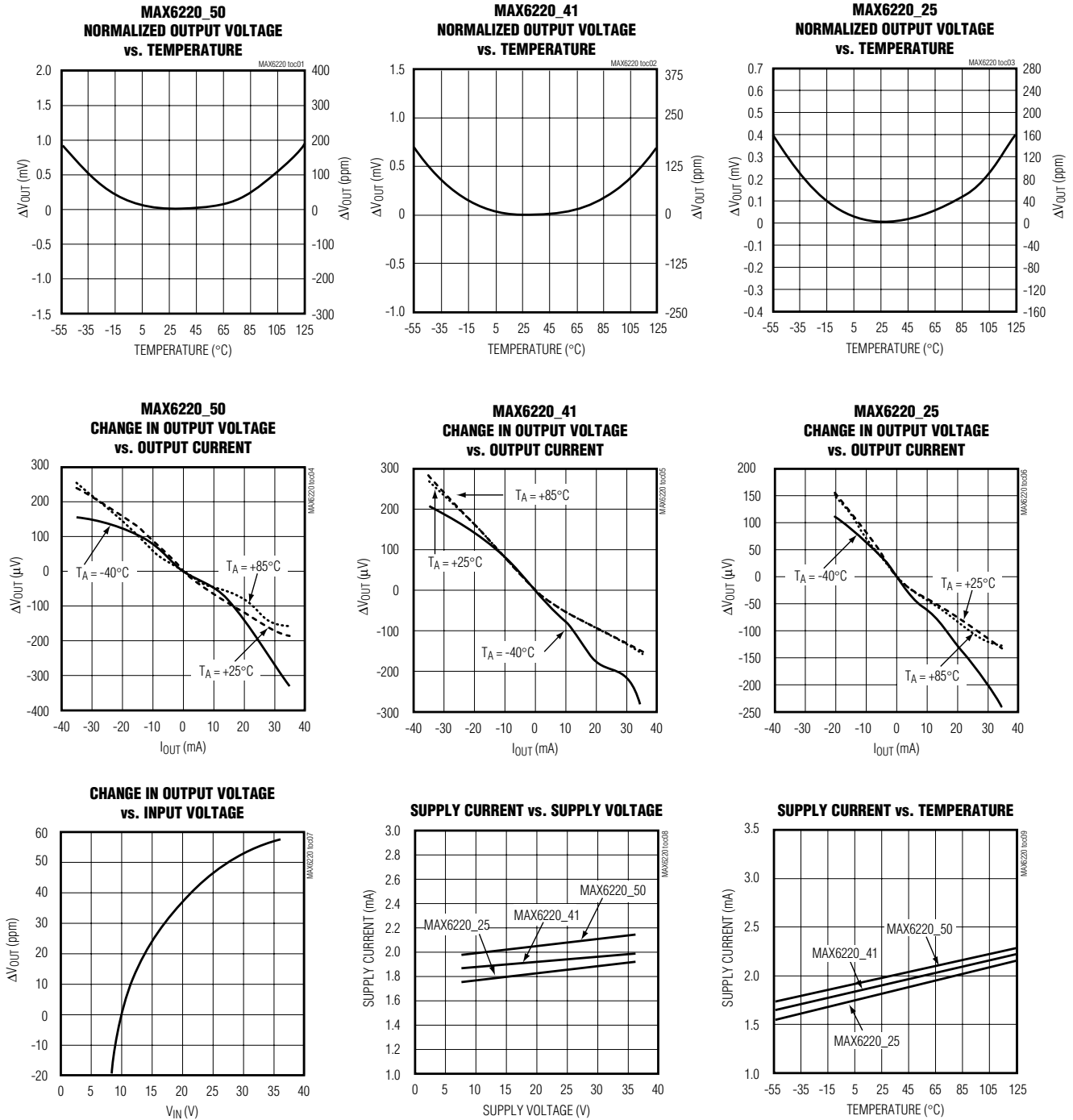
Note 4: Temperature hysteresis is specified at $T_A = +25^\circ C$ by measuring V_{OUT} before and after changing temperature by $+25^\circ C$.

Low-Noise, Precision, +2.5V/+4.096V/+5V Voltage Reference

MAX6220

Typical Operating Characteristics

($V_{IN} = +10V$, $I_{OUT} = 0mA$, $T_A = +25^\circ C$, unless otherwise noted.)

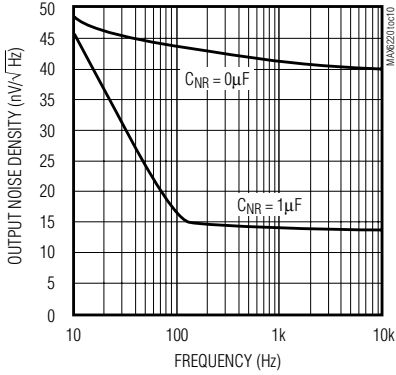


Low-Noise, Precision, +2.5V/+4.096V/+5V Voltage Reference

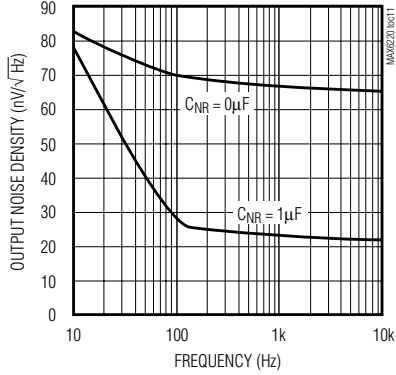
Typical Operating Characteristics (continued)

($V_{IN} = +10V$, $I_{OUT} = 0mA$, $T_A = +25^\circ C$, unless otherwise noted.)

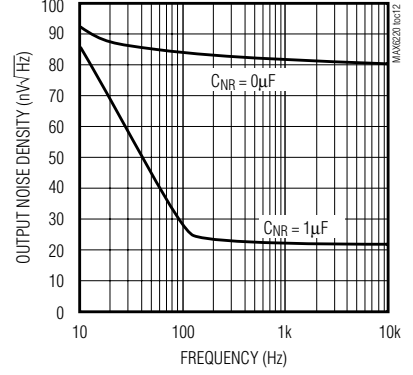
MAX6220_25
OUTPUT NOISE-VOLTAGE DENSITY vs. FREQUENCY



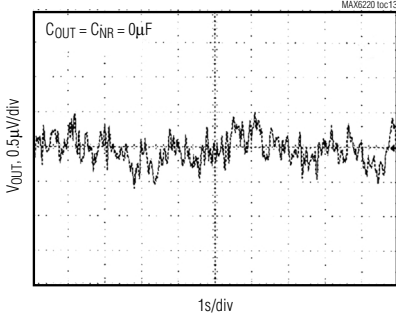
MAX6220_41
OUTPUT NOISE-VOLTAGE DENSITY vs. FREQUENCY



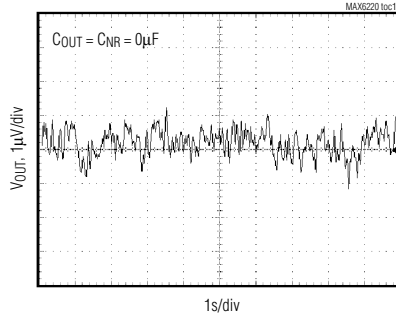
MAX6220_50
OUTPUT NOISE-VOLTAGE DENSITY vs. FREQUENCY



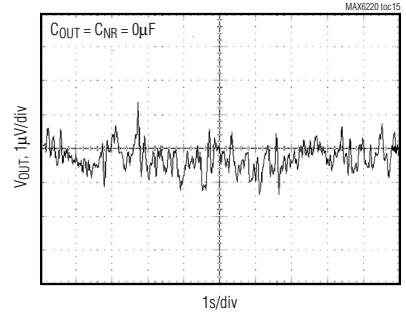
MAX6220_25
0.1Hz TO 10Hz NOISE



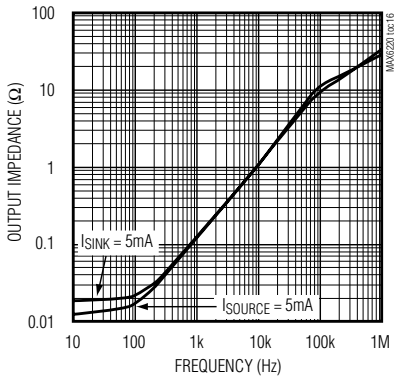
MAX6220_41
0.1Hz TO 10Hz NOISE



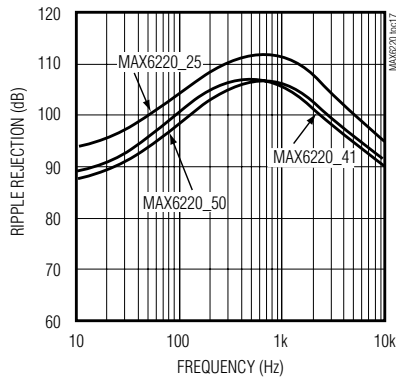
MAX6220_50
0.1Hz TO 10Hz NOISE



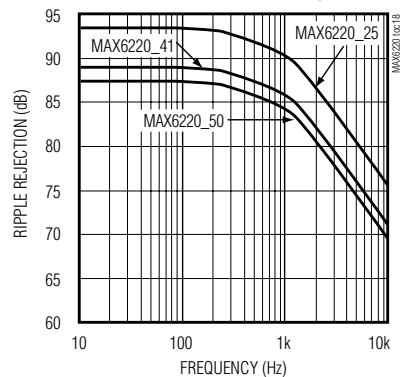
OUTPUT IMPEDANCE vs. FREQUENCY



RIPPLE REJECTION vs. FREQUENCY (C_{NR} = 1μF)



RIPPLE REJECTION vs. FREQUENCY (C_{NR} = 0μF)

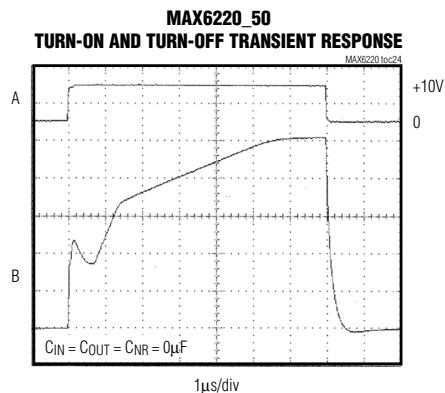
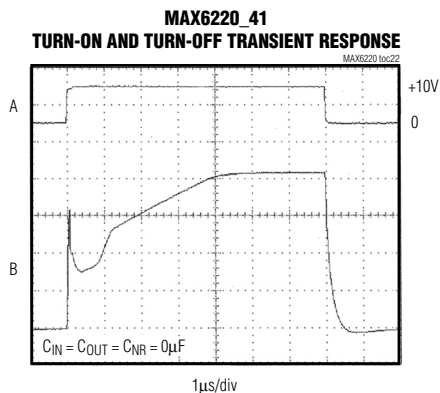
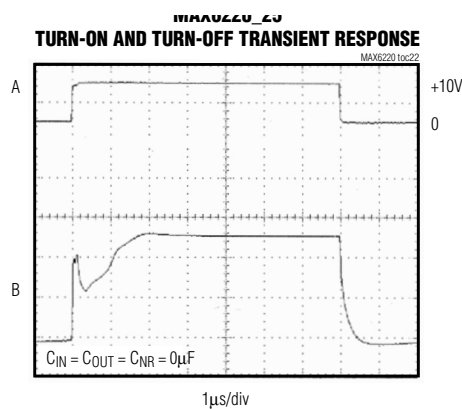
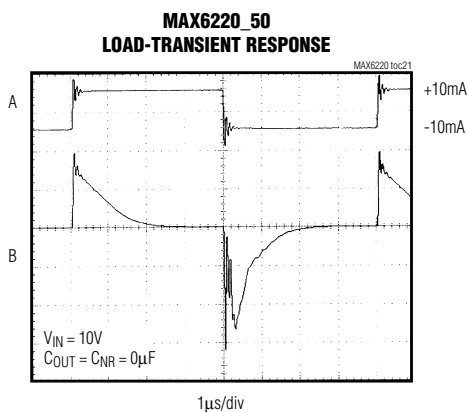
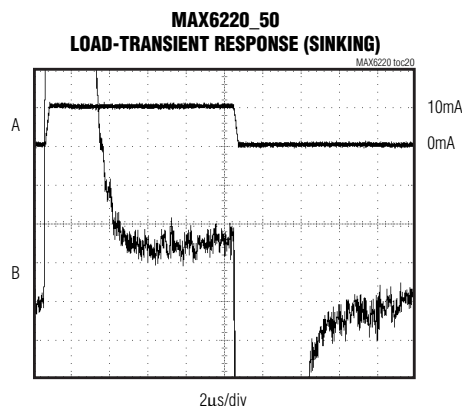
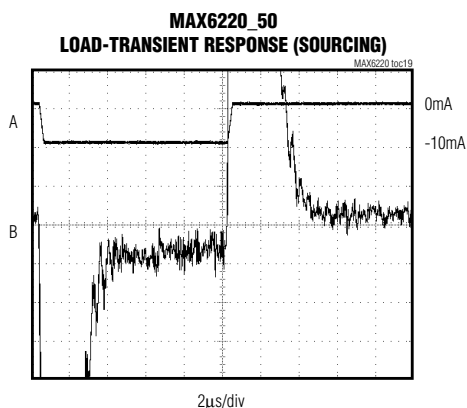


Low-Noise, Precision, +2.5V/+4.096V/+5V Voltage Reference

Typical Operating Characteristics (continued)

($V_{IN} = +10V$, $I_{OUT} = 0mA$, $T_A = +25^\circ C$, unless otherwise noted.)

MAX6220



Low-Noise, Precision, +2.5V/+4.096V/+5V Voltage Reference

Pin Description

| PIN | NAME | FUNCTION |
|---------|------|---|
| 1, 7, 8 | I.C. | Internally Connected. Do not use. |
| 2 | IN | Positive Power-Supply Input |
| 3 | NR | Noise Reduction. Optional capacitor connection for wideband noise reduction. Leave open if not used (Figure 2). |
| 4 | GND | Ground |
| 5 | TRIM | External Trim Input. Allows $\pm 1\%$ output adjustment (Figure 1). Leave open if not used. |
| 6 | OUT | Voltage Reference Output |

Detailed Description

Temperature Stability

The MAX6220 is a highly stable, low-noise voltage reference that uses a low-power temperature-compensation scheme to achieve laboratory-standard temperature stability. This produces a nearly flat temperature curve, yet does not require the power associated with heated references.

The output voltage can be trimmed 0.6% (min) by connecting a 10k Ω potentiometer between OUT and GND, and connecting its tap to the TRIM pin (Figure 1). The external trimming does not affect temperature stability.

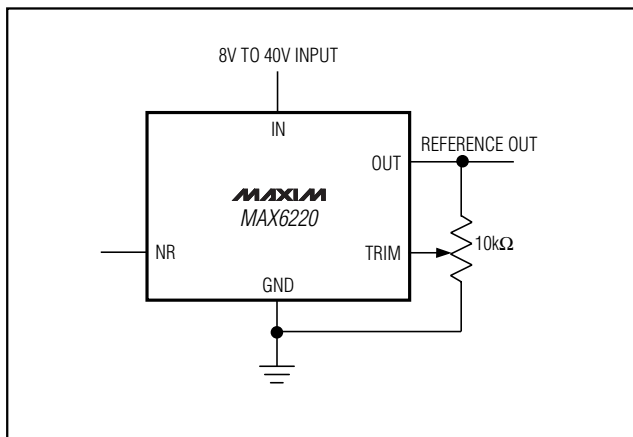


Figure 1. Output Voltage Adjustment

Noise Reduction

To augment wideband noise reduction, add a 1 μ F capacitor to the NR pin (Figure 2). Larger values do not improve noise appreciably (see *Typical Operating Characteristics*).

Noise in the power-supply input can affect output noise, but can be reduced by adding an optional bypass capacitor to the IN pin and GND.

Bypassing

The MAX6220 is stable with capacitive load values from 0 μ F to 100 μ F, for all values of load current. Adding an output bypass capacitor can help reduce noise and output glitching caused by load transients.

Applications Information

Negative Regulator

Figure 3 shows how both a +5V and -5V precision reference can be obtained from a single unregulated +5V supply. The MAX865 generates approximately ± 9 V to operate both the MAX6220 reference and the MAX480 inverting amplifier. The +5V is inverted by the MAX480. Resistor R1 is optional, and may be used to trim the ± 5 V references. R2 and R4 should be matched, both in absolute resistance and temperature coefficient. R3 is optional, and is adjusted to set the -5V reference.

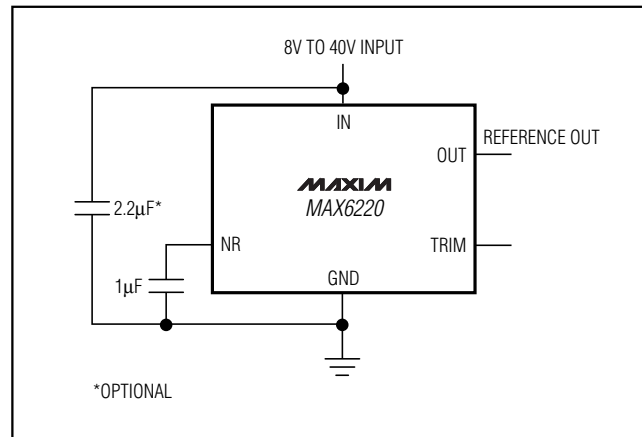


Figure 2. Noise-Reduction Capacitor

Low-Noise, Precision, +2.5V/+4.096V/+5V Voltage Reference

MAX6220

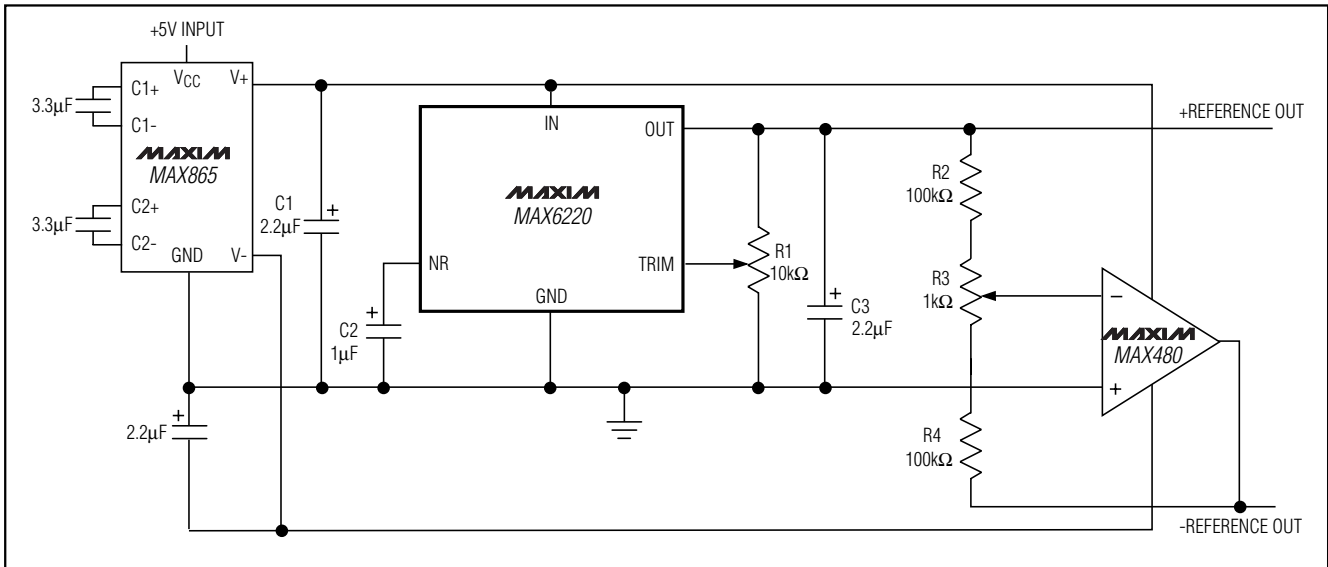


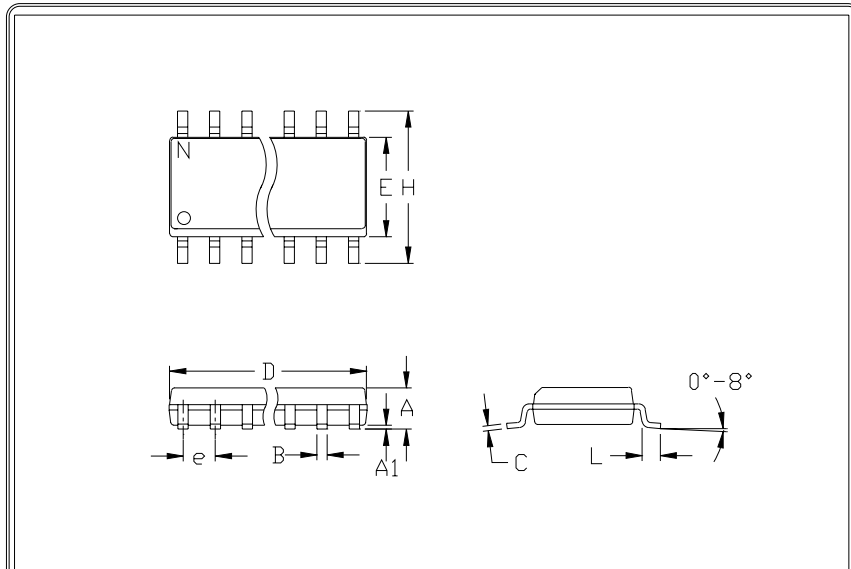
Figure 3. +5V and -5V References from a Single +5V Supply

Chip Information

TRANSISTOR COUNT: 435

Low-Noise, Precision, +2.5V/+4.096V/+5V Voltage Reference

Package Information



| | INCHES | | MILLIMETERS | |
|----|--------|-------|-------------|------|
| | MIN | MAX | MIN | MAX |
| A | 0.053 | 0.069 | 1.35 | 1.75 |
| A1 | 0.004 | 0.010 | 0.10 | 0.25 |
| B | 0.014 | 0.019 | 0.35 | 0.49 |
| C | 0.007 | 0.010 | 0.19 | 0.25 |
| e | 0.050 | | 1.27 | |
| E | 0.150 | 0.157 | 3.80 | 4.00 |
| H | 0.228 | 0.244 | 5.80 | 6.20 |
| h | 0.010 | 0.020 | 0.25 | 0.50 |
| L | 0.016 | 0.050 | 0.40 | 1.27 |

| | INCHES | | MILLIMETERS | | N | MS012 |
|---|--------|-------|-------------|-------|----|-------|
| | MIN | MAX | MIN | MAX | | |
| D | 0.189 | 0.197 | 4.80 | 5.00 | 8 | A |
| D | 0.337 | 0.344 | 8.55 | 8.75 | 14 | B |
| D | 0.386 | 0.394 | 9.80 | 10.00 | 16 | C |

NOTES:

1. D&E DO NOT INCLUDE MOLD FLASH
2. MOLD FLASH OR PROTRUSIONS NOT TO EXCEED .15mm (.006")
3. LEADS TO BE COPLANAR WITHIN .102mm (.004")
4. CONTROLLING DIMENSION: MILLIMETER
5. MEETS JEDEC MS012-XX AS SHOWN IN ABOVE TABLE
6. N = NUMBER OF PINS



PACKAGE FAMILY OUTLINE: SOIC .150"



21-0041 A
DOCUMENT CONTROL NUMBER REV.

Maxim cannot assume responsibility for use of any circuitry other than circuitry entirely embodied in a Maxim product. No circuit patent licenses are implied. Maxim reserves the right to change the circuitry and specifications without notice at any time.

10 Maxim Integrated Products, 120 San Gabriel Drive, Sunnyvale, CA 94086 (408) 737-7600

Mouser Electronics

Authorized Distributor

Click to View Pricing, Inventory, Delivery & Lifecycle Information:

[Analog Devices Inc.:](#)

[MAX6220ASA-2.5+T](#) [MAX6220ASA-4.1+](#) [MAX6220ASA-4.1+T](#) [MAX6220ASA-5.0+T](#) [MAX6220ASA-2.5+MAX6220ASA-5.0+](#)