

# 0,80 mm HI-SPEED HEADER QTE-EM SERIES

## SPECIFICATIONS

For complete specifications see [www.samtec.com?QTE-EM](http://www.samtec.com?QTE-EM)

### Insulator Material:

Liquid Crystal Polymer



### Terminal Material:

Phosphor Bronze



### Plating:

Au over 50µ" (1,27µm) Ni

### Current Rating:

Testing Now!

### Operating Temp Range:

-55°C to +125°C

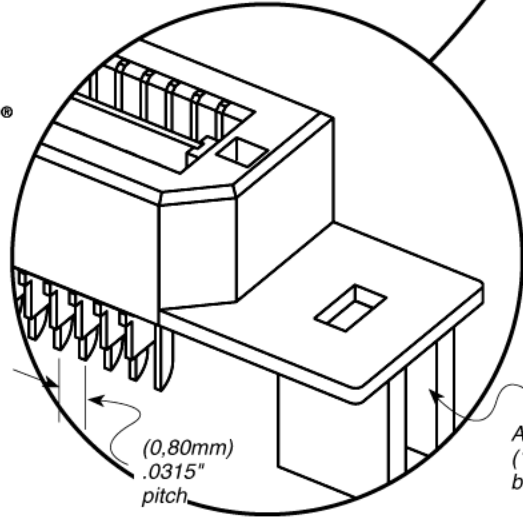
**Note:** Some lengths, styles and options are non-standard, non-returnable.

Mates with:  
QSE



## APPLICATION SPECIFIC OPTION

- 30µ" (0,76µm) Gold (Specify -H plating for Data Rate cable applications)
- Edge Mount and Differential Pair
- Tray Packaging and Guide Posts Call Samtec.



Accepts (1,60mm) .062" boards

## Processing:

### Max Processing Temp:

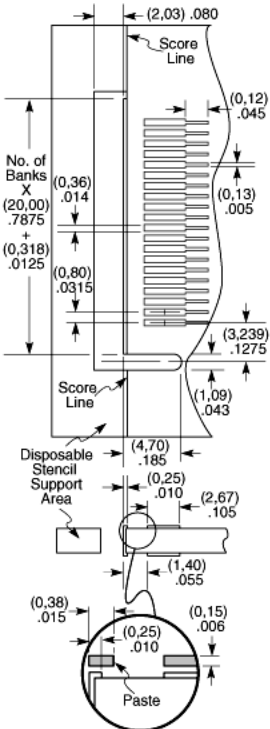
230°C for 60 seconds, or 260°C for 20 seconds 3x

### Lead-Free Solderable:

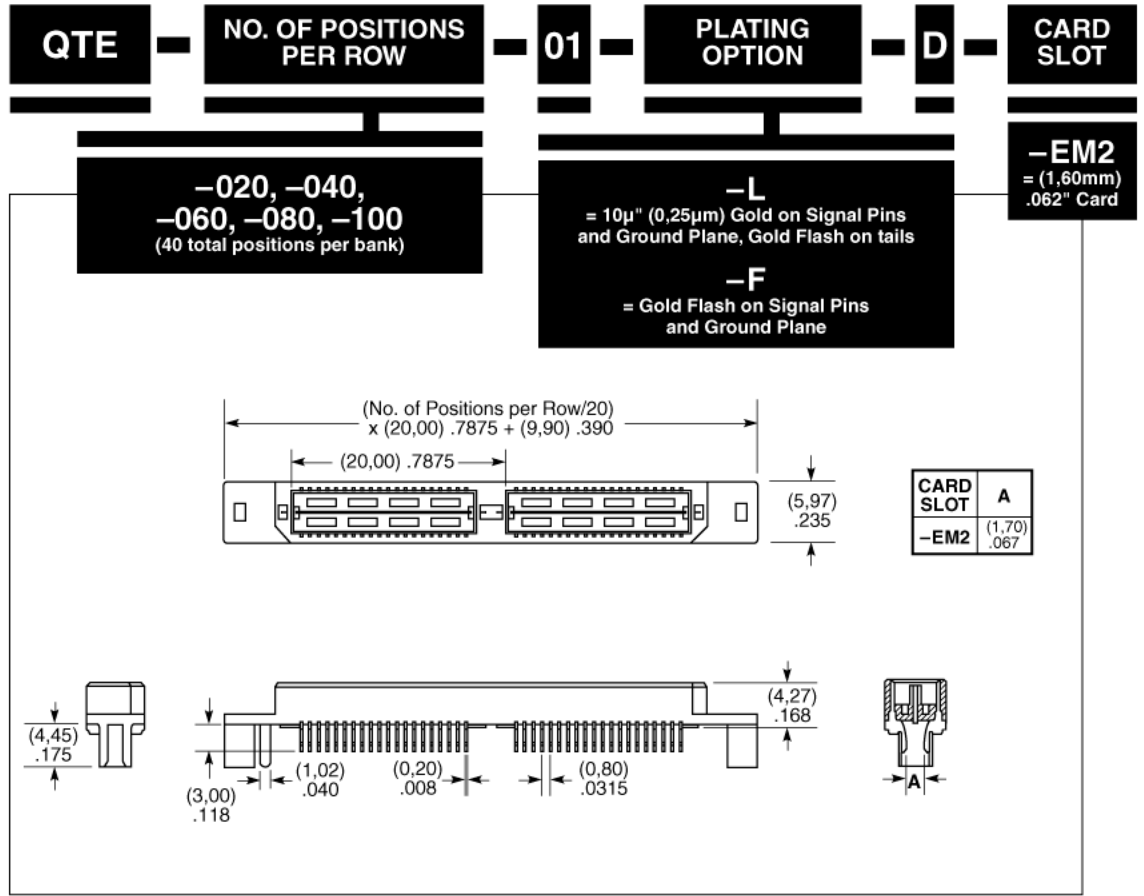
Yes

### Suggested PCB Layouts:

For reference only. Go to [www.samtec.com?QTE-EM](http://www.samtec.com?QTE-EM) for recommended PCB layout.



For more processing information contact Samtec Interconnect Processing Group at [ipg@samtec.com](mailto:ipg@samtec.com)



Due to technical progress, all designs, specifications and components are subject to change without notice.

[WWW.SAMTEC.COM](http://WWW.SAMTEC.COM)